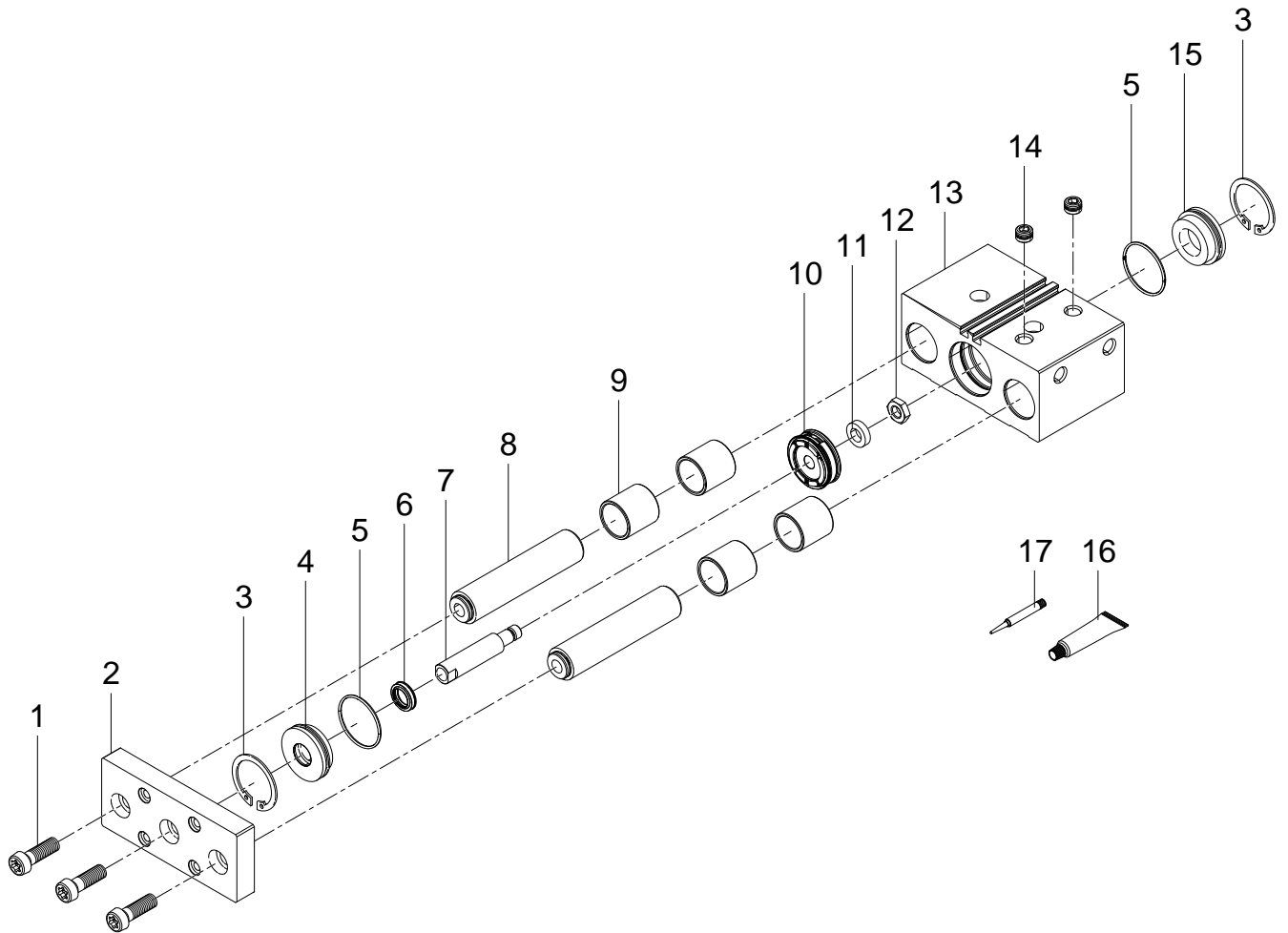


170879 DFM-63-50-P-A-GF Guided drive - Series from 10-2017



170879 DFM-63-50-P-A-GF Guided drive - Series from 10-2017

Pos.	Part no.	Type	Note	Qty.	Unit
A	8047220	DFM-63-PA :FR 04-2015 Set of wearing parts	Spare parts: 3, 5, 6, 10, 11, 16, 17 ▶ Replacing the wearing parts	1	PC
1		ISO 14580-M10X30-10.9 Socket head screw	Not available Tightening torque 37 Nm / 27.3 lbf ft	3	PC
2		DFM-63 End plate	Not available	1	PC
3		DIN 472-65X2,5 Retaining ring	Not available separately, see position A	2	PC
4		DFM-63 Bearing cap	Not available Grease using during assembly. See position 16	1	PC
5		B-61X1,5-N-NBR70 O-ring ISO3601	Not available separately, see position A Grease using during assembly. See position 16	1	PC
6		WIFC1-16X20,5X4-TPE-U Wiper seal	Not available separately, see position A Grease using during assembly. See position 16	1	PC
7		IRA-16-S0075,9-B Piston rod	Not available	1	PC
8		DFM-50/63-50-GF Guide rod	Not available	2	PC
9		SINT-B50 25,02X28X24 Cylinder bearing	Not available	4	PC
10		BA-K10D-063-A Complete piston	Not available separately, see position A Grease using during assembly. See position 16	1	PC
11		13X20X4-1.0715 Ring	Not available separately, see position A	1	PC
12	203968	DIN 439-B-M12X1,25-04 Hex nut	Tightening torque 23.3 Nm / 17.2 lbf ft Use locking compound. See position 17	1	PC
13		DFM-63-50 Housing	Not available Grease using during assembly. See position 16	1	PC
14	116516	G1/4 Plug screw		2	PC
15		DFM-63 End cap	Not available	1	PC
16	684474	LUB-KC1 SILIKONFREI 20ML Lubricating grease		1	PC
17	8181256	CYBERBOND TM44 TB1ML Adhesive bonding agent		1	PC