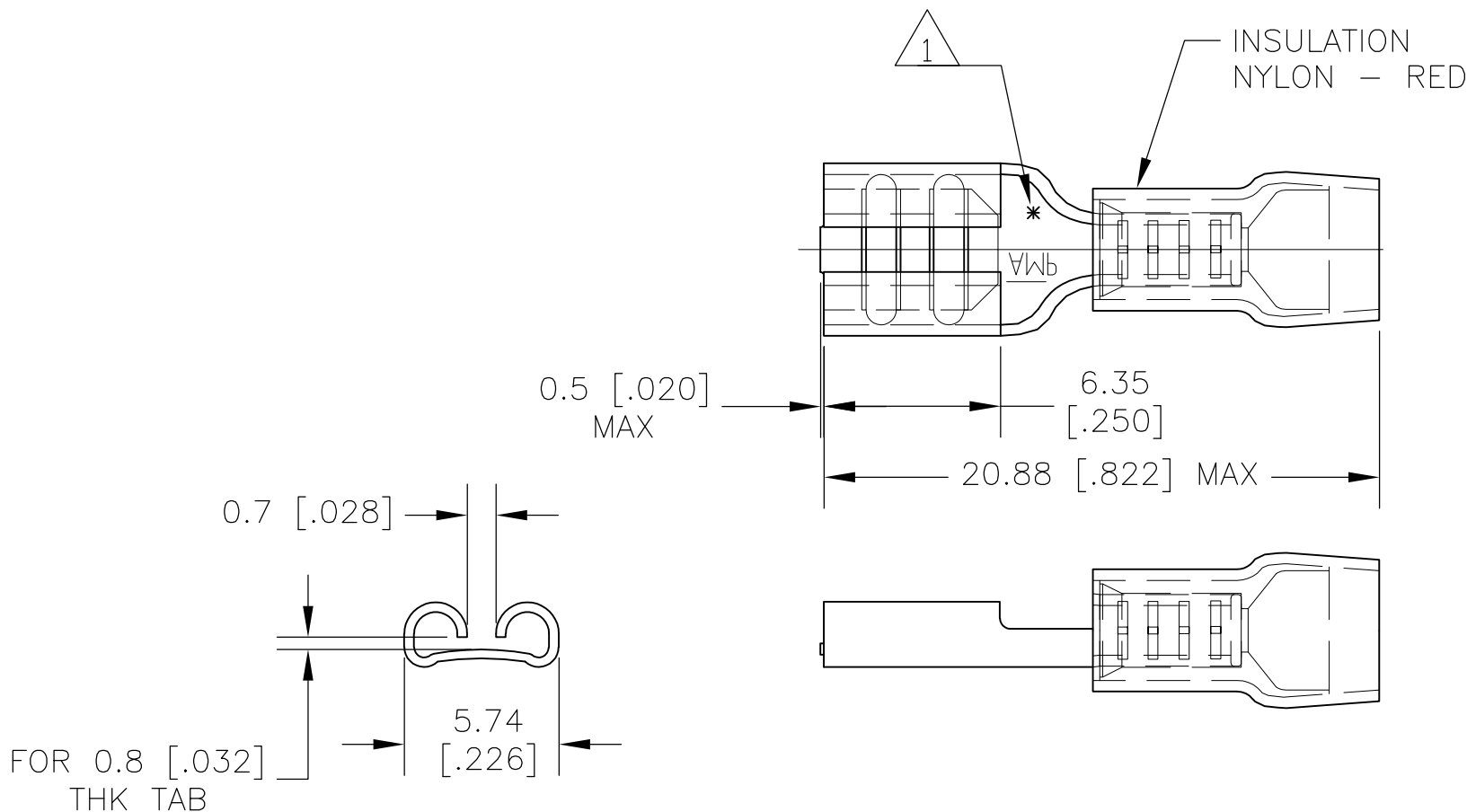


THIS DRAWING IS UNPUBLISHED. RELEASED FOR PUBLICATION
 © COPYRIGHT BY TYCO ELECTRONICS CORPORATION. ALL RIGHTS RESERVED.

LOC	DIST	REVISIONS			
P	LTR	DESCRIPTION	DATE	DWN	APVD
G	00	J2	REV PER ECR 08-028310	10NOV08	JR TM



- 1 ASTERISK * FOR PHOS BRONZE PARTS ONLY
- 2 WIRE SIZE IS 22-16 AWG
- 3 WIRE INSULATION RANGE IS 2.7-3.6mm [.105-.140] DIA

TAPPE MOUNTED	TIN	PHOS BRONZE	5-160483-5
	TIN	BRASS	5-160483-1
LOOSE PIECE	GOLD	PHOS BRONZE	9-160483-7
	SILVER	PHOS BRONZE	9-160483-6
	TIN	PHOS BRONZE	9-160483-5
	GOLD	BRASS	9-160483-4
	SILVER	BRASS	9-160483-3
	TIN	BRASS	9-160483-1
PACKAGE TYPE	TERMINAL PLATING	TERMINAL MATERIAL	PART NO

OBSOLETE

OBSOLETE

OBSOLETE

OBSOLETE

THIS DRAWING IS A CONTROLLED DOCUMENT.

DWN jr_ruth 07DEC07

CHK T MICHELUTTI 07DEC07

APVD T MICHELUTTI 07DEC07

PRODUCT SPEC

APPLICATION SPEC

WEIGHT -

CUSTOMER DRAWING

Tyco Electronics

Tyco Electronics Corporation
Harrisburg, PA 17105-3608

NAME
RECEPTACLE, PIDG, FASTON,
4.75 [.187] SERIES

SIZE A3 CAGE CODE 00779 DRAWING NO C-160483 RESTRICTED TO -

SCALE 4:1 SHEET 1 OF 1 REV J2

DIMENSIONS:	TOLERANCES UNLESS OTHERWISE SPECIFIED:
MM [INCHES]	
	0 PLC ± -
	1 PLC ± -
	2 PLC ± 0.20 [.008]
	3 PLC ± -
	4 PLC ± -
ANGLES ± 5'	
MATERIAL -	FINISH -