

3-PHASE BUSBAR INCLUDING EXTENSION CONNECTOR,
FOR 2 CIRCUIT-BREAKERS, SIZE S00 UND S0

General technical data:		
product brand name		SIRIUS
product designation		3-phase busbars...em extensi
Size of the circuit-breaker		S00, S0
Design of the product		for 2 switches
Acceptability for application		circuit-breakers 3RV2
Installation/mounting/dimensions:		
Built in orientation		any
Type of mounting		snap-on fastening on 35 mm standard rail
Width	mm	91.4
Height	mm	129
Depth	mm	58.5
Distance, to be maintained, conductive elements		
• upwards	mm	10
• backwards	mm	0
• sideways	mm	0
Distance, to be maintained, to earthed part		
• upwards	mm	10
• backwards	mm	0
• sideways	mm	0

Distance, to be maintained, to the ranks assembly

- upwards
- backwards
- sideways

mm	10
mm	0
mm	0

Certificates/approvals:

Verification of suitability

CE / UL / CSA / CCC

General Product Approval

Test Certificates



[Manufacturer](#)

Shipping Approval



other

[Manufacturer](#)

[other](#)



Further information:

Information- and Downloadcenter (Catalogs, Brochures,...)

<http://www.siemens.com/industrial-controls/catalogs>

Industry Mall (Online ordering system)

<http://www.siemens.com/industrial-controls/mall>

CAX-Online-Generator

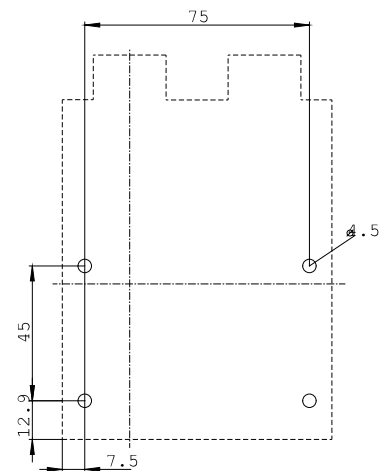
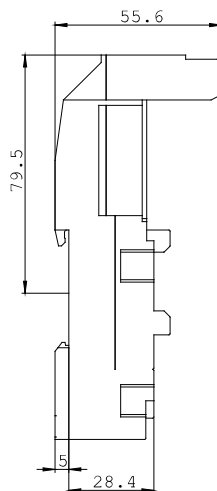
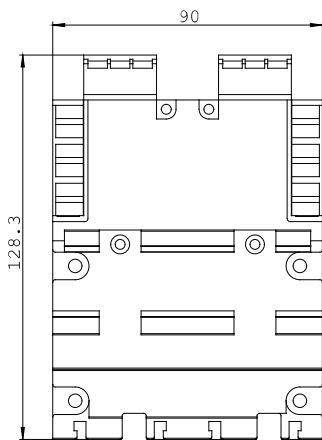
<http://www.siemens.com/cax>

Service&Support (Manuals, Certificates, Characteristics, FAQs,...)

<http://support.automation.siemens.com/WW/view/en/3RV2917-4A/all>

Image database (product images, 2D dimension drawings, 3D models, device circuit diagrams, ...)

http://www.automation.siemens.com/bilddb/cax_en.aspx?mlfb=3RV2917-4A



last change:

Feb 6, 2012