

Totalizers mechanic

Stroke, meter and revolution counters

Display 5 digits, manual reset (zero) by lever

H 410, M 410, U 410, M 411, U 411



H 410 - Stroke counter



M 410 - Meter counter



U 410 - Revolution counter

Features

- Stroke, meter and revolution counters
- Adding
- Display 5-digits
- Reset by lever

Technical data - mechanical design

| | |
|---------------------------|--|
| Number of digits | 5-digits |
| Digit height | 7 mm |
| Zero setting | Manual by reset lever. Do not let snap or make jerky movements. |
| Ambient temperature | 0...+60 °C |
| Housing type | Surface mount housing with mounting plate |
| Housing colour | Grey |
| Dimensions W x H x L | 106 x 64 x 45 mm |
| Dimensions mounting plate | 120 x 64 mm |
| Mounting | Base plate, 4 long mounting holes |
| Weight approx. | 380 g |
| Materials | Housing: Hostaform POM, grey Base plate: steel zinc-coated |

H 410

| | |
|------------------|---|
| Function | Stroke counter |
| Display | White numbers on black |
| Count mode | Adding in a stroke direction to be indicated. 1 stroke = 1 count |
| Drive shaft | Both sides, $\varnothing 7$ mm |
| Stroke | $>38^\circ$ to $<60^\circ$ |
| Stroke lever | To be positioned on shaft at will. Stroke lever relocates automatically to start position. |
| Stroke frequency | ≤ 500 strokes/min |

Totalizers mechanic

Stroke, meter and revolution counters

Display 5 digits, manual reset (zero) by lever

H 410, M 410, U 410, M 411, U 411

Technical data - mechanical design

Measuring range 99 999

M 410

Function Meter counter

Display White numbers on black
Decimal digits in red

Count mode Adding in a rotational direction to be indicated, subtracting in reverse direction.
See part number key

Drive shaft Both sides, $\varnothing 7$ mm

Measuring speed <200 m/min (measuring wheel)

Measuring accuracy 1 dm, 1 cm

Measuring range 9999.9 m

M 411

Function Meter counter

Display White numbers on black
Decimal digits in red

Count mode Adding in a rotational direction to be indicated, subtracting in reverse direction.
See part number key

Drive shaft Centered below, $\varnothing 7$ mm

Measuring speed <60 m/min

Measuring accuracy 1 dm

Measuring range 9999.9 m

U 410

Function Revolution counter

Display White numbers on black

Count mode Adding in a rotational direction to be indicated, subtracting in reverse direction. 1 rev. = 1 count

Drive shaft Both sides, $\varnothing 7$ mm

Operating speed ≤ 3000 rpm

Measuring range 99 999

U 411

Function Revolution counter

Display White numbers on black

Count mode Adding in a rotational direction to be indicated, subtracting in reverse direction. 1 rev. = 1 count

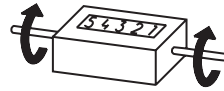
Drive shaft Centered below, $\varnothing 7$ mm

Operating speed ≤ 1000 rpm

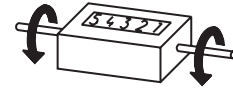
Measuring range 99 999

Direction of strokes and rotation

H 410, M 410, U 410

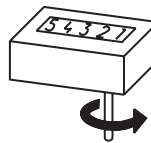


Away from user
Sense of rotation or stroke direction I

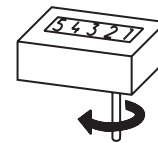


Towards user
Sense of rotation or stroke direction II

M 411, U 411



Sense of rotation I



Sense of rotation II

Accessories

Measuring wheels for M 410, M 411

MR211.04A Circumf. 20 cm, knurled aluminium

MR241.04D Circumf. 20 cm, smooth Hytrel TPE-E

MR261.04A Circumf. 20 cm, knopped rubber NBR Nitril

MR291.04D Circumf. 20 cm, grooved Hytrel TPE-E

MR592.07D Circumf. 50 cm, grooved Hytrel TPE-E

MR512.07A Circumf. 50 cm, knurled aluminium

MR542.07D Circumf. 50 cm, smooth Hytrel TPE-E

MR552.07A Circumf. 50 cm, smooth Vulkollan PUR

MR562.07A Circumf. 50 cm, knopped rubber NBR Nitril

Totalizers mechanic

Stroke, meter and revolution counters

Display 5 digits, manual reset (zero) by lever

H 410, M 410, U 410, M 411, U 411

Part number

Stroke counter

H 410. 010 A 02

Display / direction of stroke
 A 5 digits 99 999 / I
 B 5 digits 99 999 / II

Count mode / drive
 02 1 stroke = 1 digit / drive shaft on both sides

Housing
 A Surface mount housing, grey

Zero setting
 010 With reset lever

Meter counter

M 411. 010 A 03

Display / direction of rotation
 C 5 digits 9999.9 / I
 D 5 digits 9999.9 / II

Count mode / drive
 03 2 revolutions = 10 digits = 1.0 m / drive shaft at bottom

Housing
 A Surface mount housing, grey

Zero setting
 010 With reset lever

Revolution counter

U 411. 010 A 01

Display / direction of rotation
 A 5 digits 99 999 / I
 B 5 digits 99 999 / II

Count mode / drive
 01 1 revolution = 1 digit / drive shaft at bottom

Housing
 A Surface mount housing, grey

Zero setting
 010 With reset lever

Meter counter

M 410. 010

Display / direction of rotation
 C 5 digits 9999.9 / I
 D 5 digits 9999.9 / II
 E 5 digits 999,99 / I
 F 5 digits 999,99 / II
 G 5 digits 9999.95 / I
 H 5 digits 9999.95 / II

Count mode / drive
 02 1 revolution = 10 digits = 1.0 m / drive shaft on both sides*
 03 2 revolutions = 10 digits = 1.0 m / drive shaft on both sides
 04 5 revolutions = 10 digits = 1.0 m / drive shaft on both sides*
 06 5 revolutions = 100 digits = 1.0 m / drive shaft on both sides*
 07 2 revolutions = 100 digits = 1.0 m / drive shaft on both sides*

Housing
 A Surface mount housing, grey
 B Surface mount housing with hinge plate

Zero setting
 010 With reset lever

Revolution counter

U 410. 010 A

Display / direction of rotation
 A 5 digits 99 999 / I
 B 5 digits 99 999 / II

Count mode / drive
 01 1 revolution = 1 digit / drive shaft on both sides
 02 1 revolution = 10 digits / drive shaft on both sides

Housing
 A Surface mount housing, grey

Zero setting
 010 With reset lever

* Additional charge for special transmission

Totalizers mechanic

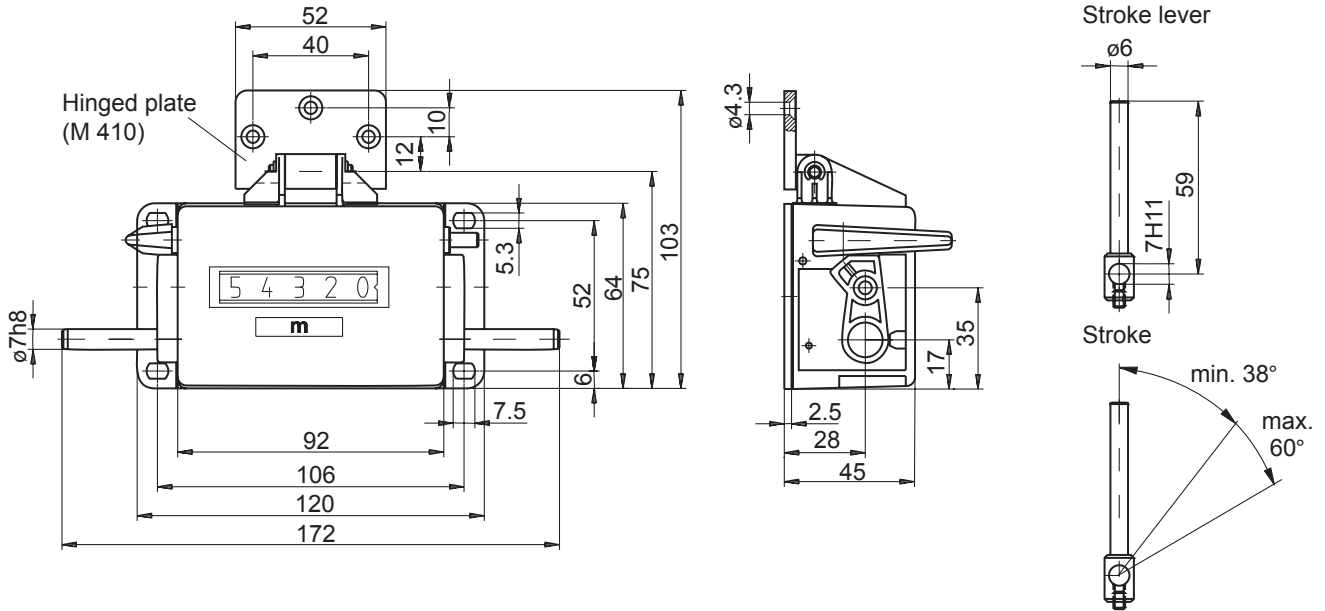
Stroke, meter and revolution counters

Display 5 digits, manual reset (zero) by lever

H 410, M 410, U 410, M 411, U 411

Dimensions

H 410, M 410, U 410



M 411, U 411

