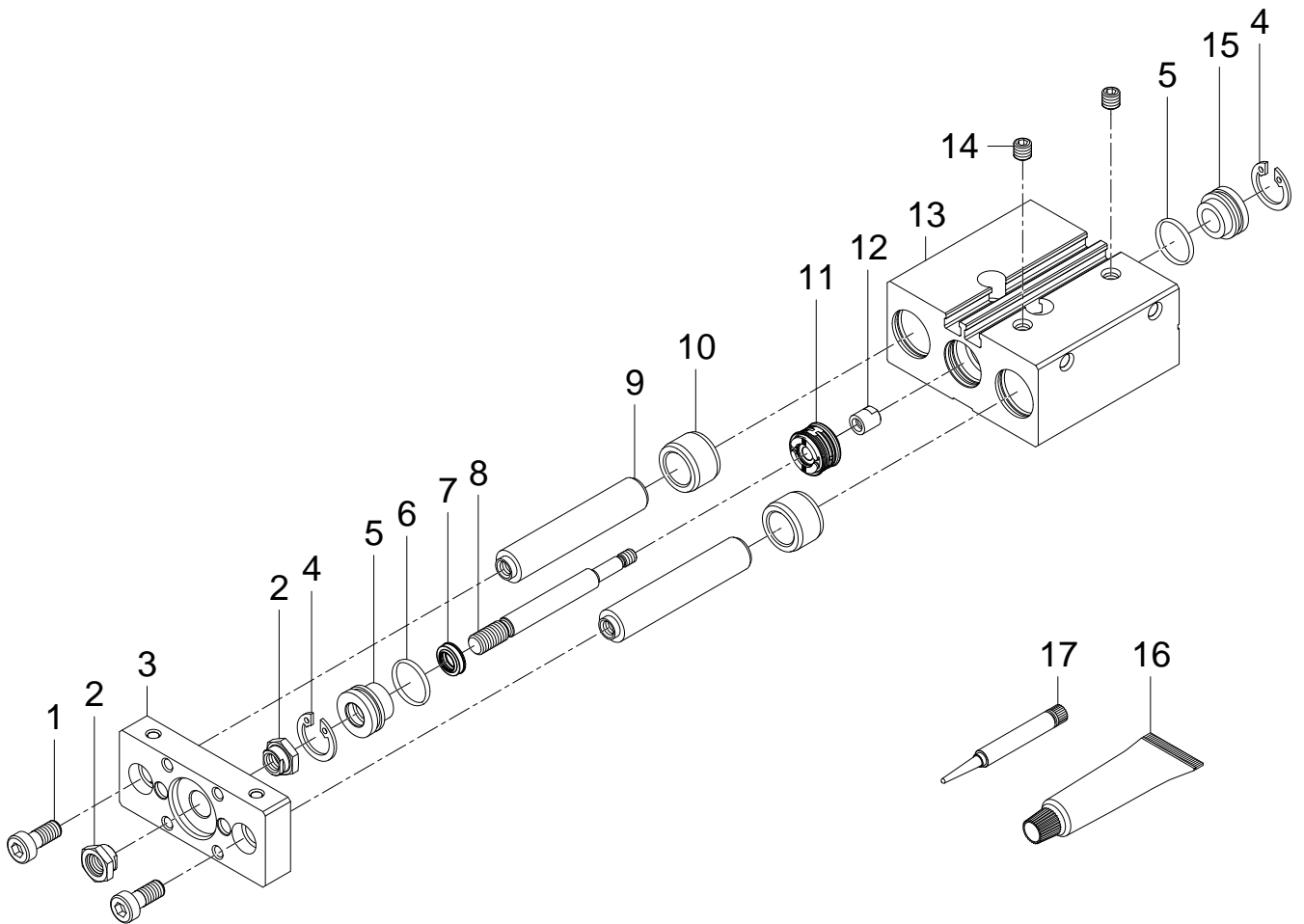


170834 DFM-16-25-P-A-GF Guided drive - Series till 03-2017



## 170834 DFM-16-25-P-A-GF Guided drive - Series till 03-2017

Pos.	Part no.	Type	Note	Qty.	Unit
A	8047214	DFM-16-PA :FR 10-2014 Set of wearing parts	Spare parts: 4, 6, 7, 11, 16, 17 <a href="#">Replacing the wearing parts</a>	1	PC
1	774326	DIN 6912-M6X12-8.8 Socket head screw	Tightening torque 8.2 Nm / 6.0 lbf ft Use locking compound. See position 17	2	PC
2		M6 Collar nut	Not available Tightening torque 6.8 Nm / 5.0 lbf ft Use locking compound. See position 17	2	PC
3		DFM-16 End plate	Not available	1	PC
4		DIN 472-17X1 Retaining ring	Not available separately, see position A	2	PC
5		DFM-16 Bearing cap	Not available Grease using during assembly. See position 16	1	PC
6		B-15X1-N-NBR70 O-ring ISO3601	Not available separately, see position A Grease using during assembly. See position 16	1	PC
7		WIFC1-8X11,5X3,2-TPE-U Wiper seal	Not available separately, see position A Grease using during assembly. See position 16	1	PC
8		ARA-08-S0038,7 Piston rod	Not available	1	PC
9		DFM-16-25-GF Guide rod	Not available	2	PC
10		DFM-16 Plain bearing	Not available	2	PC
11		BA-K10D-016-A Complete piston	Not available separately, see position A Grease using during assembly. See position 16	1	PC
12	709440	DSNU-16 Nut	Tightening torque 1.5 Nm / 1.1 lbf ft Use locking compound. See position 17	1	PC
13		DFM-16-25 Housing	Not available Grease using during assembly. See position 16	1	PC
14	369947	M5X5 Plug screw module		2	PC
15		DFM-16 End cap module	Not available	1	PC
16	684474	LUB-KC1 SILIKONFREI 20ML Lubricating grease		1	PC
17	8181256	CYBERBOND TM44 TB1ML Adhesive bonding agent		1	PC