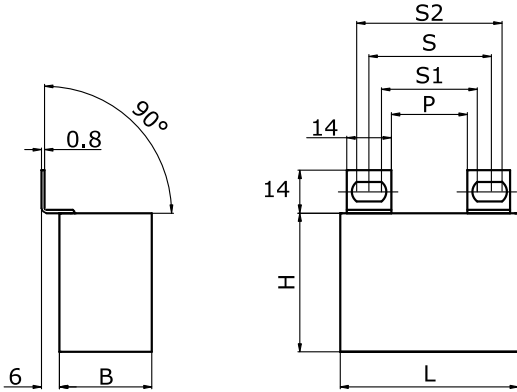


C4BS, Film, Metallized Polypropylene, Power, 2 uF, 5%, 550 VAC, 850 VDC, 70°C, Lead Spacing = 25mm



**Dimensions**

<b>L</b>	42mm NOM
<b>H</b>	45mm NOM
<b>T</b>	30mm NOM
<b>S</b>	25mm +/-0.2mm
<b>S1</b>	21.5mm +/-0.2mm
<b>P</b>	10.5mm NOM

**Packaging Specifications**

<b>Packaging:</b>	Bulk, Bag
<b>Packaging Quantity:</b>	32

**General Information**

<b>Supplier:</b>	KEMET
<b>Series:</b>	C4BS
<b>Dielectric:</b>	Metallized Polypropylene
<b>Style:</b>	Radial
<b>Features:</b>	IGBT Circuit
<b>RoHS:</b>	Yes
<b>Lead:</b>	Flat Tabs
<b>Miscellaneous:</b>	KEMET Style A Tabs

**Specifications**

<b>Capacitance:</b>	2 uF
<b>Capacitance Tolerance:</b>	5%
<b>Voltage AC:</b>	550 VAC
<b>Voltage DC:</b>	850 VDC
<b>Temperature Range:</b>	-40/+85C
<b>Rated Temperature:</b>	70°C
<b>Max dV/dt:</b>	758 V/us
<b>Resistance:</b>	2.1 mOhms (100kHz)
<b>Ripple Current:</b>	36 Amps (100kHz 70C), 1517 Amps (Peak)
<b>Inductance:</b>	43 nH

Statements of suitability for certain applications are based on our knowledge of typical operating conditions for such applications, but are not intended to constitute - and we specifically disclaim - any warranty concerning suitability for a specific customer application or use. This Information is intended for use only by customers who have the requisite experience and capability to determine the correct products for their application. Any technical advice inferred from this Information or otherwise provided by us with reference to the use of our products is given gratis, and we assume no obligation or liability for the advice given or results obtained.