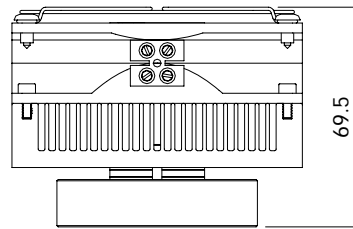
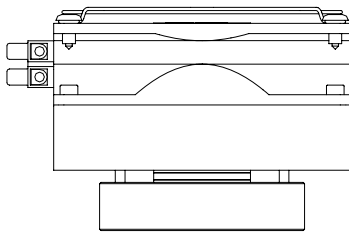
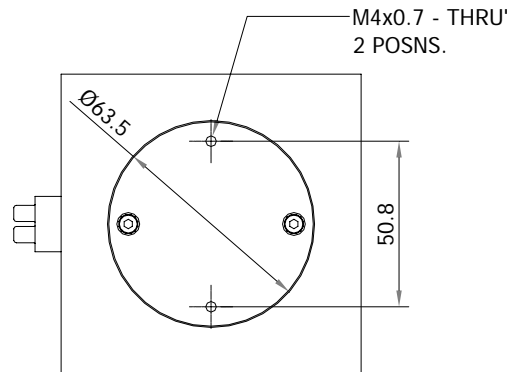
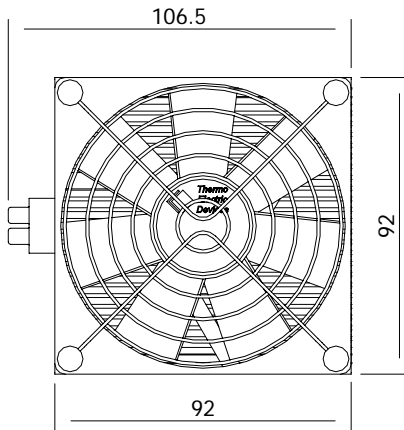


**Thermo
Electric
Devices**

PRODUCT DATA SHEET

THP51B (RS STOCK # 158506)

INTEGRATED HEATPUMP ASSEMBLY



Description:

The THP51B is a high performance air to plate heat pump assembly using a single 40mm 51W TEC, with a forced convection aluminium heat exchanger.

Applications include discrete temperature control of thermally sensitive components or samples. With a bi-polar controller it can be used to both heat or to cool.

It is supplied with the TEC and fan wired in parallel, however the removal of a jumper allows the fan and TEC to be controlled independently.

The AA68 – Kit is available as an option to allow the unit to be configured for air to air applications.

Dimensions:

Hot side
Cold block
Mass

107mm x 92mm x 70mm
63mm dia x 15mm
600g

Electrical:

V range 6 -12VDC
I max 5.0A

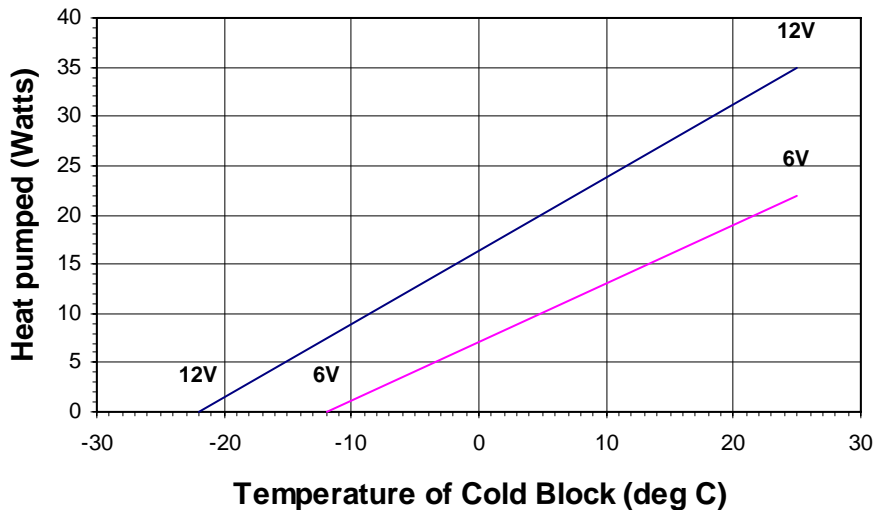
Thermal:

Delta t max: (ambient to cold side) 47 deg C
Heat pumping (cooling): Max @ delta t = 0 35W
Typical @ delta t = 25 (12V) 17W
Heat pumping (heating): Max @ delta t = 0 95W

Environmental:

Operating temperature: -20 to +50 deg C
IP20

THP51B Performance Graph (25 deg C)



Thermo Electric Devices
Unit 1 Draycott Business
Centre
Draycott
GL56 9JY
UK

T: 01386 701703
F: 01386 701618
E: mail@thermoelectricdevices.co.uk
W: www.thermoelectricdevices.co.uk