



Ordering number CA11998\_EMILY-SS-WAS

Family	Emily	FWHM	(simulated)
Type	Assembly	Efficiency	(simulated) 0 %
LED	Z5	cd/lm	-
Color	Clear	Gerber File	Available
Diameter	26 mm		
Height	14.8 mm		
Style	Round		Especially designed for Wallwasher applications
Optic Material	PMMA		
Holder Material	-		
Fastening	Pin, tape		
Status	Ready		

**NOTE: The typical divergence will be changed by different color, chip size and chip position tolerance. The typical total divergence is the full angle measured where the luminous intensity is half of the peak value.**



## PRODUCT DATASHEET

### Emily series

last update 14/8/2012



#### GENERAL INFORMATION

- Product series especially designed & optimized for Z5 series of LEDs.
- Special care taken to make light distribution as uniform as possible.
- Lens material optical grade PMMA with high UV and temperature resistance. Allows use of high current and temperature conditions.

Please find more information about used material from below:

[http://ledil.fi/sites/default/files/Documents/Technical/Material/PMMA%20N%20UL94\\_Yellow%20Card.pdf](http://ledil.fi/sites/default/files/Documents/Technical/Material/PMMA%20N%20UL94_Yellow%20Card.pdf)

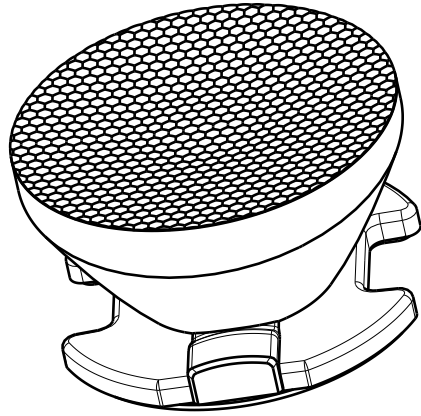
<http://ledil.fi/sites/default/files/Documents/Technical/Material/PMMA%20N%20PLEXIGLAS-Datasheet.pdf>

D

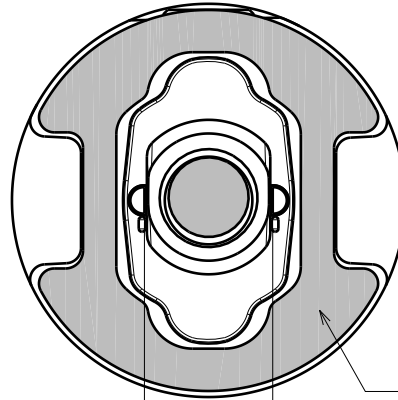
C

B

A



Isometric view

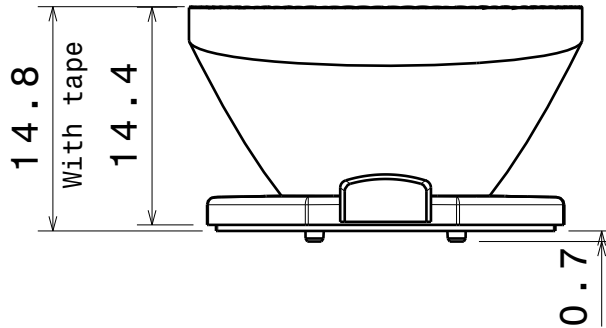


Bottom view

0.4mm tape

8.6

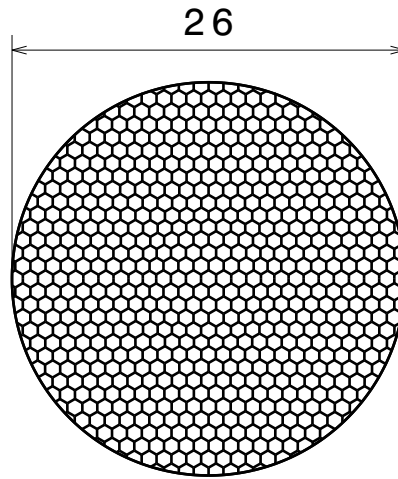
location pins



Front view

14.8  
With tape  
14.4

0.7



Top view

26

Part No.s:  
 CA11998\_EMILY-SS-WAS  
 CA12000\_EMILY-O-WAS  
 CA12797\_EMILY-O-WAS  
 CA12799\_EMILY-SS-WAS

Material: PMMA

This drawing is our property.  
 It can't be reproduced  
 or communicated without  
 our written agreement.



L  
T  
F  
F

e  
e  
i  
i  
N  
n

d

h

DRAWING TITLE

Datasheet Emily-was Assembly

DRAWN BY m	DATE 01.03.2011
---------------	--------------------

CHECKED BY h	DATE 01.03.2011
-----------------	--------------------

DESIGNED BY hh	DATE 25.01.2011
-------------------	--------------------

SIZE A4	DRAWING NUMBER	REV 1
SCALE 2:1	WEIGHT (g)	SHEET 1/1

D

A

4

4

3

3

2

2

1

1