



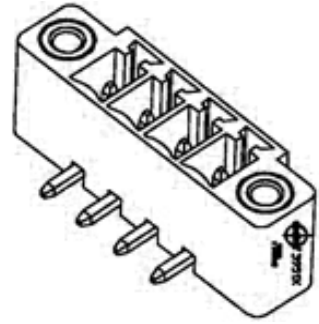
Part Number : [395166003](#)

Product Description : 3.81mm Pitch Eurostyle Right-Angle PCB Header, with Threaded Retention Inserts, Green Housing, 3 Circuits

Series Number : 39516

Status : Active

Product Category : Terminal Blocks and Barrier Strip



Documents & Resources

Drawings

[395166003 sd.pdf](#)

[PK-39516-001-001.pdf](#)

3D Models and Design Files

[STEP AP242](#)

[SOLIDWORKS](#)

[Creo](#)

Specifications

[PS-39500-001-001.pdf](#)

Product Environment Compliance

Compliance

GADSL/IMDS	Not Relevant
China RoHS	Not Relevant
EU ELV	Not Relevant
Low-Halogen Status	Low-Halogen per IEC 61249-2-21
REACH SVHC	Contains Lead per D(2025)4165-DC (25 June 2025)
EU RoHS	Compliant with Exemption 6(c) per EU 2015/863

[Compliance Statements](#)

- EU RoHS

- REACH SVHC
- Low-Halogen

Industry Documents

- IPC 1752A Class C
- IPC 1752A Class D
- Molex Product Compliance Declaration
- IEC-62474
- chemSHERPA (xml)

Substances of Interest

- PFAS

EU RoHS Certificate of Compliance

Additional Product Compliance Information

Part Details

General

Status	Active
Category	Terminal Blocks and Barrier Strip
Series	39516
Description	3.81mm Pitch Eurostyle Right-Angle PCB Header, with Threaded Retention Inserts, Green Housing, 3 Circuits
Application	Wire-to-Board
Component Type	PCB Header
Product Name	Eurostyle Pluggable
Type	PCB Terminal Blocks and Connectors
UPC	822350446440

Agency

UL	E48521
----	--------

Electrical

Current - Maximum per Contact	8.0A
Voltage - Maximum	300V

Physical

Circuits (Loaded)	3
Circuits (maximum)	3
Color - Resin	Green
Entry Angle	N/A
Lock to Mating Part	Yes
Net Weight	1.430/g
Number of Rows	1
Orientation	Horizontal
Panel Mount	No
PCB Thickness - Recommended	2.50mm
PC Tail Length	3.50mm
Pitch - Mating Interface	3.81mm
Pitch - Termination Interface	3.81mm
Polarized to Mating Part	Yes
Shrouded	Fully
Stackable	No
Temperature Range - Operating	-40° to +105°C
Wire Size (AWG)	N/A

Mates With / Use With

Mates with Part(s)

Description	Part Number
3.81mm Pitch Eurostyle Horizontal Plugs	<u>39514</u>
3.81mm Pitch Eurostyle Vertical Plugs	<u>39517</u>
Mates With	Most 3.81mm Pitch Industry Standard Plugs