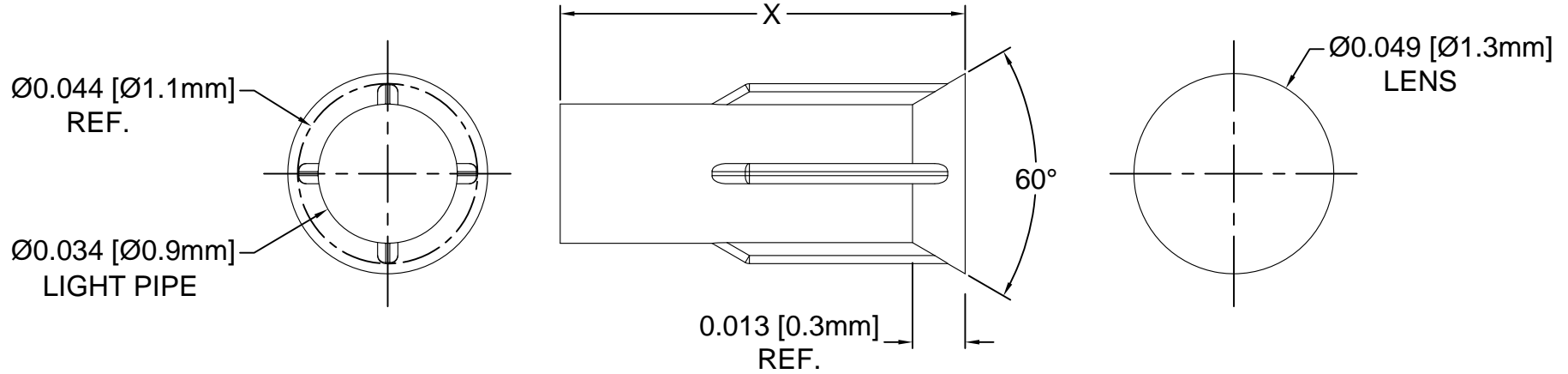
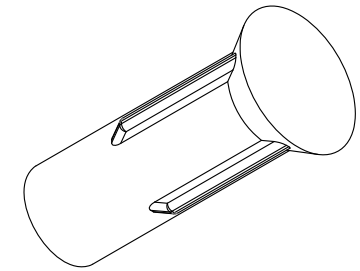
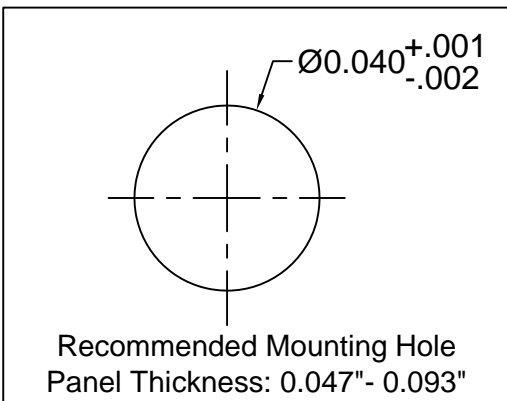



REV.	DESCRIPTION	DATE	APPROVED
B	Engineering Release	07/15/15	J. C.



Part No.	X = Body Length
PLPC1-100	0.100 ( 2.5mm )
PLPC1-125	0.125 ( 3.2mm )
PLPC1-188	0.188 ( 4.8mm )
PLPC1-250	0.250 ( 6.4mm )
PLPC1-313	0.313 ( 7.9mm )
PLPC1-375	0.375 ( 9.5mm )
PLPC1-500	0.500 ( 12.7mm )
PLPC1-3MM	3mm ( 0.118" )
PLPC1-4MM	4mm ( 0.157" )
PLPC1-5MM	5mm ( 0.197" )
PLPC1-6MM	6mm ( 0.236" )
PLPC1-7MM	7mm ( 0.276" )
PLPC1-8MM	8mm ( 0.315" )
PLPC1-9MM	9mm ( 0.354" )
PLPC1-10MM	10mm ( 0.394" )



- 2. MATERIAL: POLYCARBONATE, 94V-0, CLEAR.
- 1. GENERAL SPECIFICATIONS: BIVAR MOLDED COMPONENT SPECIFICATION BV00-E101 and BSMC-1001.

STANDARD TOLERANCE ( UNLESS OTHERWISE SPECIFIED )		 <b>BIVAR</b> <sup>®</sup> 4 THOMAS, IRVINE, CA 92618 TEL: (949) 951-8808 FAX: (949) 951-3974	
DECIMALS	ANGULAR		
.X ± .1	X° ± 1°	<b>TITLE:</b> PRESS-FIT, PANEL MOUNT LIGHT PIPE, FLUSH, 1mm	
.XX ± .01			
.XXX ± .005		<b>PART NO:</b> PLPC1-XXX <b>REVISION:</b> B	
DESIGNED: <b>A. Wright</b>	DATE: <b>04/24/15</b>	<b>CAGE CODE :</b> 32559 <b>SHEET #</b> 1 <b>OF</b> 1	
CHECKED: <b>B. Oliver</b>	DATE: <b>04/24/15</b>	CAD GENERATED DOCUMENT, DO NOT MEASURE DRAWING.	