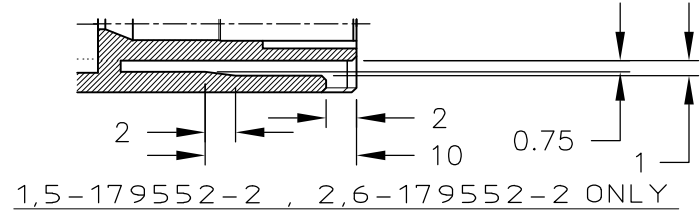
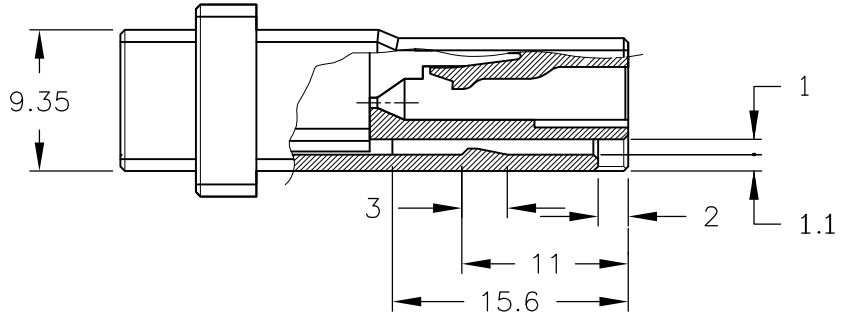
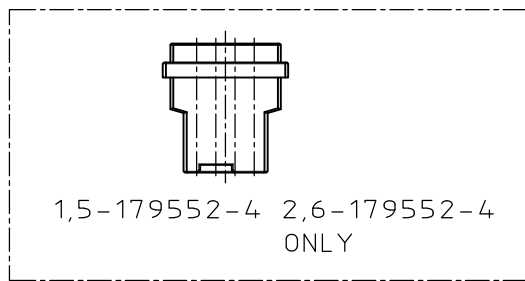
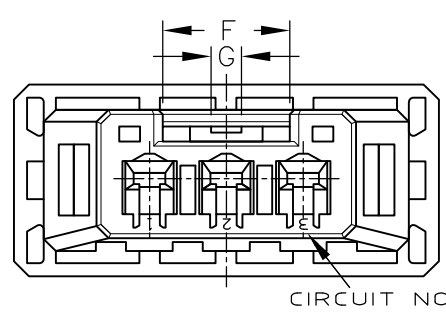
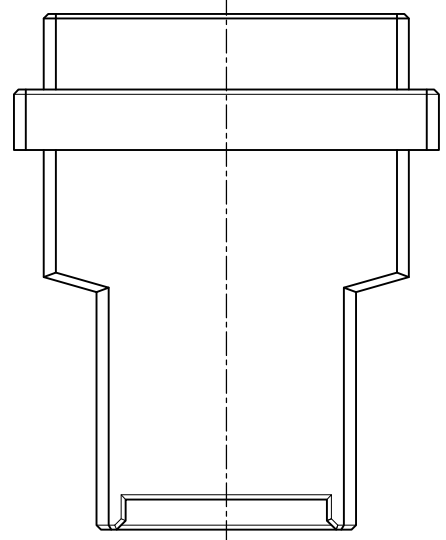
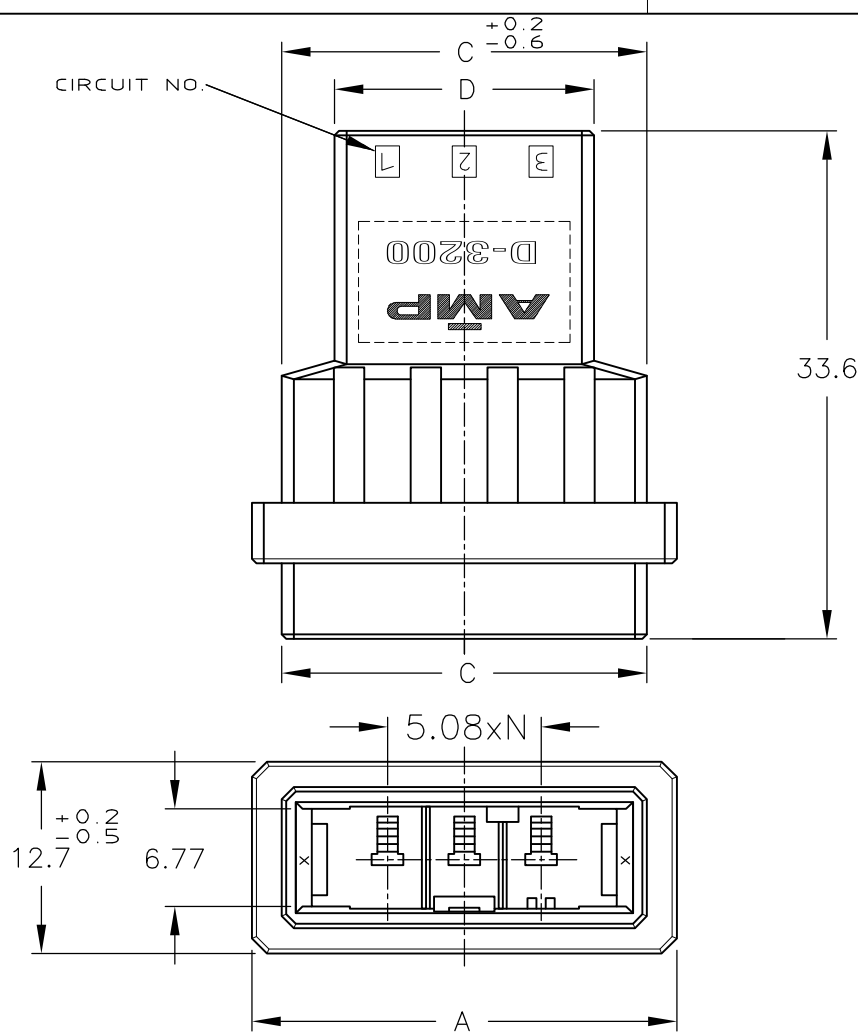


NUMBER 179552
METRIC

DIMENSIONS IN MM. DO NOT SCALE PRINT

PRINT DIST



NOTES
1 MATERIAL: GLASS FIELD THERMO PLASTIC, POLYESTER
COLOR: BLACK
~~2 TO COAT ALL SURFACE OF HOUSING WITH TEFLON~~

FINISH	KEYING PATTERN	POS.	DIMENSION	A	-	C	D	-	F	G	N	KEY	PART NUMBER
OBSOLETE				4	33.19	29.24	22.24		8.4	2	3	Y	6-179552-4
OBSOLETE				4	33.19	29.24	22.24		8.4	2	3	X	5-179552-4
-				4	33.19	29.24	22.24		8.4	2	3	Y	2-179552-4
-				4	33.19	29.24	22.24		8.4	2	3	X	1-179552-4
OBSOLETE				3	28.11	24.16	17.16		8.4	2	2	Y	6-179552-3
OBSOLETE				3	28.11	24.16	17.16		8.4	2	2	X	5-179552-3
-				3	28.11	24.16	17.16		8.4	2	2	Y	2-179552-3
-				3	28.11	24.16	17.16		8.4	2	2	X	1-179552-3
OBSOLETE				2	23.03	19.08	12.08		8.4	2	1	Y	6-179552-2
OBSOLETE				2	23.03	19.08	12.08		8.4	2	1	X	5-179552-2
-				2	23.03	19.08	12.08		8.4	2	1	Y	2-179552-2
-				2	23.03	19.08	12.08		8.4	2	1	X	1-179552-2

TE TE Connectivity

(WIRE RANGE) - mm (AWG -)	(INSULATION DIA.) - mm	(NAME) D3200S WIRE TO WIRE TAB HSG FOR DYNAMIC D-3200S FREE HANGING TYPE
(MATERIAL) SEE NOTES	(FINISH)	(GENERAL TOLERANCE) ≤10 : ±0.2 10 ≤30 : ±0.25 30 ≤100 : ±0.3 ANGLE : ±3°
DR. 31 JAN 94 N. Matsubara	DE. 31 JAN 94 N. Matsubara	SIZE LOC (No.) A3 J C-179552
CHK. 1 FEB 94 S. MANABE	APP. 1 FEB 94 S. MANABE	(SCALE) REV. SHEET 2/1 F 1 OF 1