

# PHILIPS

## Lighting



# HF-Performer III for PL-T/C lamps

## HF-P 1/218 PL-T/C III 220-240V

HF-Performer III PL-T/C is a sustainable, slim and high-frequency electronic ballast for PL-T and PL-C fluorescent lamps. It is ideal for applications where high energy efficiency is required. The HF-Performer III range has a robust design, meets all relevant international safety and performance standards and is energy efficient (CELMA EEI A2).;The ballast is primarily designed for Indoor application. For outdoor application, the luminaire should be minimum Class II need to be sufficiently protected against water & dust. The installation should also be guard against any lightning surge or any other necessary electrical protection as deemed in such typical installation & application.

### Product data

General Information			
Application Code	III	Power Factor 100% Load (Nom)	0.95
Lamp Type	PL-T/C	Ignition Time (Max)	0.40 s
Number of Lamps	2 piece/unit	Mains Voltage Performance (AC)	-8%+6%
Number of Products on MCB (16A Type B) (Nom)	28	Mains Voltage Safety (AC)	-10%+10%
Automatic Restart	Yes	Earth Leakage Current (Nom)	0.5 mA
Operating and Electrical		Inrush Current Width	0.250 ms
Input Voltage	220 to 240 V	Constant Wattage Deviation	-2%/+2%
Input Frequency	50 to 60 Hz	Ballast Factor (Nom)	1
Operating Frequency (Max)	- kHz	Power Losses (Nom)	0.68-2.21 W
Operating Frequency (Min)	42 kHz	Inrush Current Peak (Max)	18 A
Operating Frequency (Nom)	45 kHz	Wiring	
Ignition Method	Warm Start	Connector Type Input Terminals	Insert
Crestfactor (Max)	1.7	Cable Capacity Output Wires Mutual (Nom)	100 pF
		Connector Type Output Terminals	Insert
		Cable Length From Device to Lamp	1 m

## HF-Performer III for PL-T/C lamps

Cable Length Hot Wiring	1 m
Wire Striplength	8.5-9.5 mm
Dual Fixture Master/Slave	Not applicable [ Master/Slave oper. not applicable]
Input Terminal Cross Section	0.50-1.50 mm <sup>2</sup>
Output Terminal Cross Section	0.50-1.50 mm <sup>2</sup>
Cable Capacity Output Wires to Earth (Nom)	100 pF

### System characteristics

Rated Ballast-Lamp Power	18 W
Rated Lamp Power on PL-T/C	2x18/18 W
System Power on PL-T/C	33.84/17.9 W
Power Loss on PL-T/C	2.64/1.9 W
Lamp Power on PL-T/C	31.2/16 W

### Temperature

T-Ambient (Max)	50 °C
T-Ambient (Min)	-25 °C
T-Storage (Max)	80 °C
T-Storage (Min)	-40 °C
T-Case Lifetime (Nom)	75 °C
T-Case Maximum (Max)	75 °C
T-Ignition (Max)	50 °C
T-Ignition (Min)	-25 °C

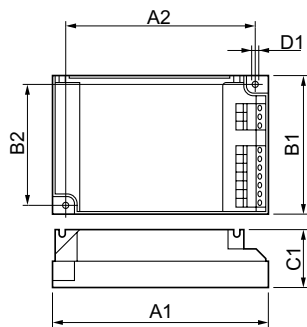
### Mechanical and Housing

Housing	S 103x67x30
---------	-------------

### Emergency Operation

Nominal Light Output After 60 Seconds	100% of EBLF
Battery Voltage Lamp Ignition	198-254 V
Normal Operating Voltage (DC)	220-240 V
Battery Voltage Lamp Operation	176-254
Battery Voltage Guaranteed Operation	176-275 V

## Dimensional drawing



HF-P 1/218 PL-T/C III 220-240V 50/60Hz

Battery Voltage Guaranteed Ignition	186-275 V
Nominal Light Output After 5 Seconds	50% of EBLF

### Approval and Application

Energy Efficiency Index	A2 BAT
IP Classification	IP 20 [ Ingress Protection 20]
EMI 9 kHz ... 30 MHz	EN55015
Safety Standard	IEC 61347-2-3
Performance Standard	IEC 60929
Quality Standard	ISO 9000:2000
Environmental Standard	ISO 14001
Harmonic Current Emission Standard	IEC 61000-3-2
EMC Immunity Standard	IEC 61547
Vibration Standard	IEC68-2-6 F c
Bumps Standard	IEC 68-2-29 Eb
Humidity Standard	EN 61347-2-3 clause 11
Approval Marks	CE marking ENEC certificate VDE-EMV certificate
Temperature Marking	Yes
Emergency Standard	IEC 60598-2-22
Hum And Noise Level	Inaudible

### Product Data

Full product code	872790083417800
Order product name	HF-P 1/218 PL-T/C III 220-240V
EAN/UPC - Product	8711500881038
Order code	913700648666
Numerator - Quantity Per Pack	1
Numerator - Packs per outer box	12
Material Nr. (12NC)	913700648666
Net Weight (Piece)	0.130 kg

### Product

HF-P 1/218 PL-T/C III 220-240V

## HF-Performer III for PL-T/C lamps

