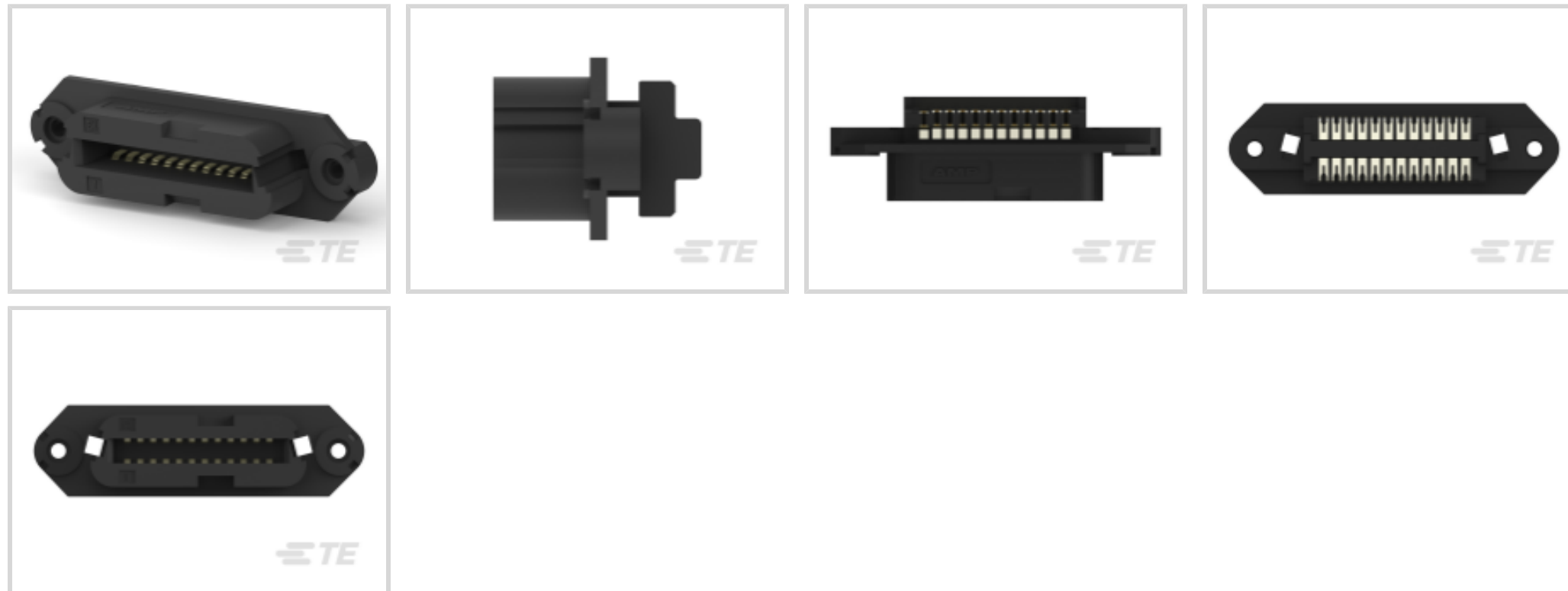




Connectors > D-Shaped Connectors



Number of Positions: **24**

Connector & Housing Type: **Receptacle**

Connector System: **Cable-to-Cable**

Connector Mounting Type: **Cable Mount (Free-Hanging)**

Centerline (Pitch): **2.16 mm [.085 in]**

Features

Product Type Features

Connector Product Type	Connector Assembly
Connector & Housing Type	Receptacle
Connector System	Cable-to-Cable
Connector & Contact Terminates To	Wire & Cable

Configuration Features

Compatible With Wire & Cable Type	Discrete Wire, Round Jacketed Cable
Number of Rows	2
Number of Positions	24

Body Features

Primary Product Color	Black
Connector Profile	Standard

Contact Features

Contact Underplating Material	Palladium Nickel
Contact Mating Area Plating Material	Gold (Au)
Contact Base Material	Copper Alloy

Contact Mating Area Plating Material Thickness	.76 μm [30 μin]
--	--

Contact Current Rating (Max)	3.5 A
------------------------------	-------

Mechanical Attachment

Mating Retention	With
------------------	------

Mating Retention Type	Screwlocks
-----------------------	------------

Thread Size	4-40 UNC 2B
-------------	-------------

Connector Mounting Type	Cable Mount (Free-Hanging)
-------------------------	----------------------------

Housing Features

Housing Material	Thermoplastic
------------------	---------------

Centerline (Pitch)	2.16 mm[.085 in]
--------------------	------------------

Dimensions

Stranded Wire Size	.33 mm ²
--------------------	---------------------

Solid Wire Size	.13 – .32 mm ²
-----------------	---------------------------

Compatible Insulation Diameter (Max)	1.14 mm[.045 in]
--------------------------------------	------------------

Wire Size	26 – 24 AWG
-----------	-------------

Usage Conditions

Operating Temperature Range	-40 – 75 °C[-40 – 167 °F]
-----------------------------	---------------------------

Operation/Application

Shielded	No
----------	----

Circuit Application	Signal
---------------------	--------

Packaging Features

Packaging Method	Box & Tray, Package
------------------	---------------------

Packaging Quantity	100
--------------------	-----

Product Compliance

[For compliance documentation, visit the product page on TE.com>](#)

EU RoHS Directive 2011/65/EU	Compliant
------------------------------	-----------

EU ELV Directive 2000/53/EC	Compliant
-----------------------------	-----------

China RoHS 2 Directive MIIT Order No 32, 2016	No Restricted Materials Above Threshold
---	---

EU REACH Regulation (EC) No. 1907/2006	Current ECHA Candidate List: JAN 2025 (247) Candidate List Declared Against: JAN 2022 (223)
--	--

Does not contain REACH SVHC

Halogen Content

Low Bromine/Chlorine - Br and Cl < 900 ppm per homogenous material. Also BFR /CFR/PVC Free

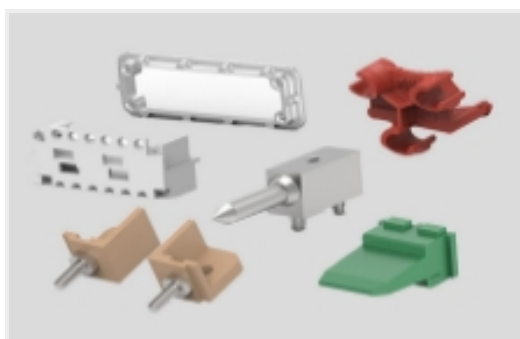
Solder Process Capability

Not applicable for solder process capability

Product Compliance Disclaimer

This information is provided based on reasonable inquiry of our suppliers and represents our current actual knowledge based on the information they provided. This information is subject to change. The part numbers that TE has identified as EU RoHS compliant have a maximum concentration of 0.1% by weight in homogenous materials for lead, hexavalent chromium, mercury, PBB, PBDE, DBP, BBP, DEHP, DIBP, and 0.01% for cadmium, or qualify for an exemption to these limits as defined in the Annexes of Directive 2011/65/EU (RoHS2). Finished electrical and electronic equipment products will be CE marked as required by Directive 2011/65/EU. Components may not be CE marked. Additionally, the part numbers that TE has identified as EU ELV compliant have a maximum concentration of 0.1% by weight in homogenous materials for lead, hexavalent chromium, and mercury, and 0.01% for cadmium, or qualify for an exemption to these limits as defined in the Annexes of Directive 2000/53/EC (ELV). Regarding the REACH Regulation, the information TE provides on SVHC in articles for this part number is based on the latest European Chemicals Agency (ECHA) 'Guidance on requirements for substances in articles' posted at this URL: <https://echa.europa.eu/guidance-documents/guidance-on-reach>

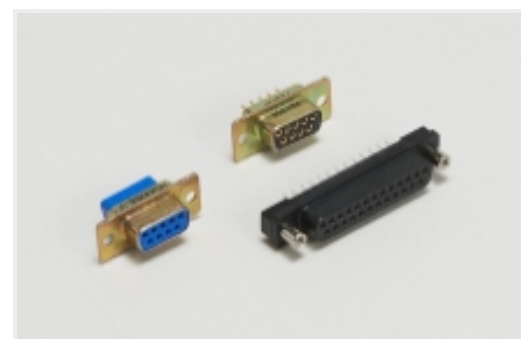
Also in the Series | **CHAMP Docking Connectors**



Connector Hardware(26)



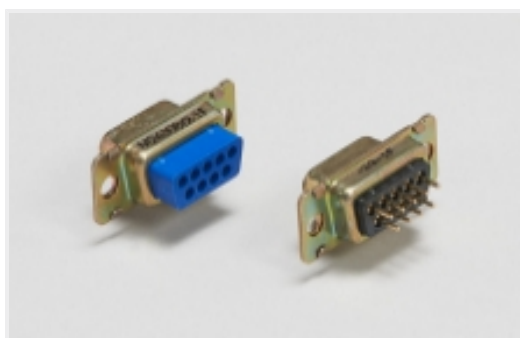
Connector Strain Relief(2)



D-Shaped Connectors(41)

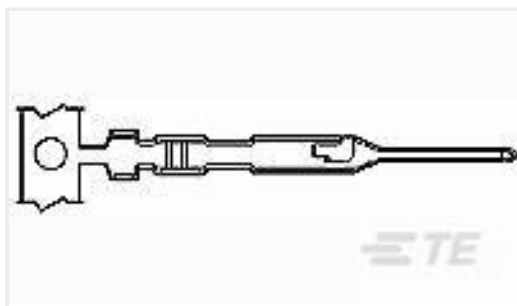


IDC D-Sub Connectors(41)



Panel Mount D-Sub Connectors(5)

Customers Also Bought



TE Part #5-104506-6
MTE PIN 28-32 AWG PLTD



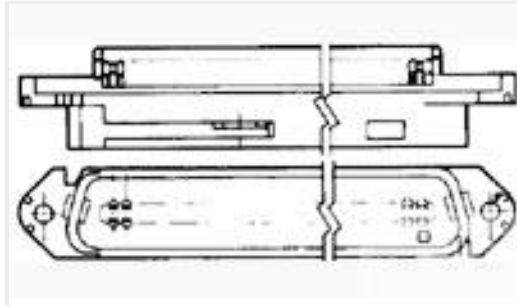
TE Part #206705-1
CPC RECP. ASY SIZE 13-9



TE Part #500030-1
SPIRAP 1/4" PE, OUTDR,BLK,50FT



TE Part #500031-1
SPIRAP 1/2" PE, OUTDR,BLK,50FT



TE Part #552282-1
ASSY, PLUG, 14 POS, B SLOT



TE Part #1-794610-2
MICRO MNL RPT CNT,LS PC 30AU L



TE Part #1622828-1
CRG0603 1% 100R



TE Part #5229912-1
KIT, PLUG, 50 POS,B SLOT C/LOK



TE Part #5229913-1
KIT, RCPT, 50 POS, B SLOT



TE Part #5553811-3
ASSY,EMI RCPT,24 POSN,SCR LK

Documents

Product Drawings

ASSY, RCPT, 24 POS, B SLOT

English

CAD Files

Customer View Model

[ENG_CVM_552313-1_M.2d_dxf.zip](#)

English

Customer View Model

[ENG_CVM_552313-1_M.3d_igs.zip](#)

English

Customer View Model

[ENG_CVM_552313-1_M.3d_stp.zip](#)

English

3D PDF

English

By downloading the CAD file I accept and agree to the [Terms and Conditions](#) of use.

Product Specifications



[Application Specification](#)

English

[Agency Approvals](#)

[UL Report](#)

English