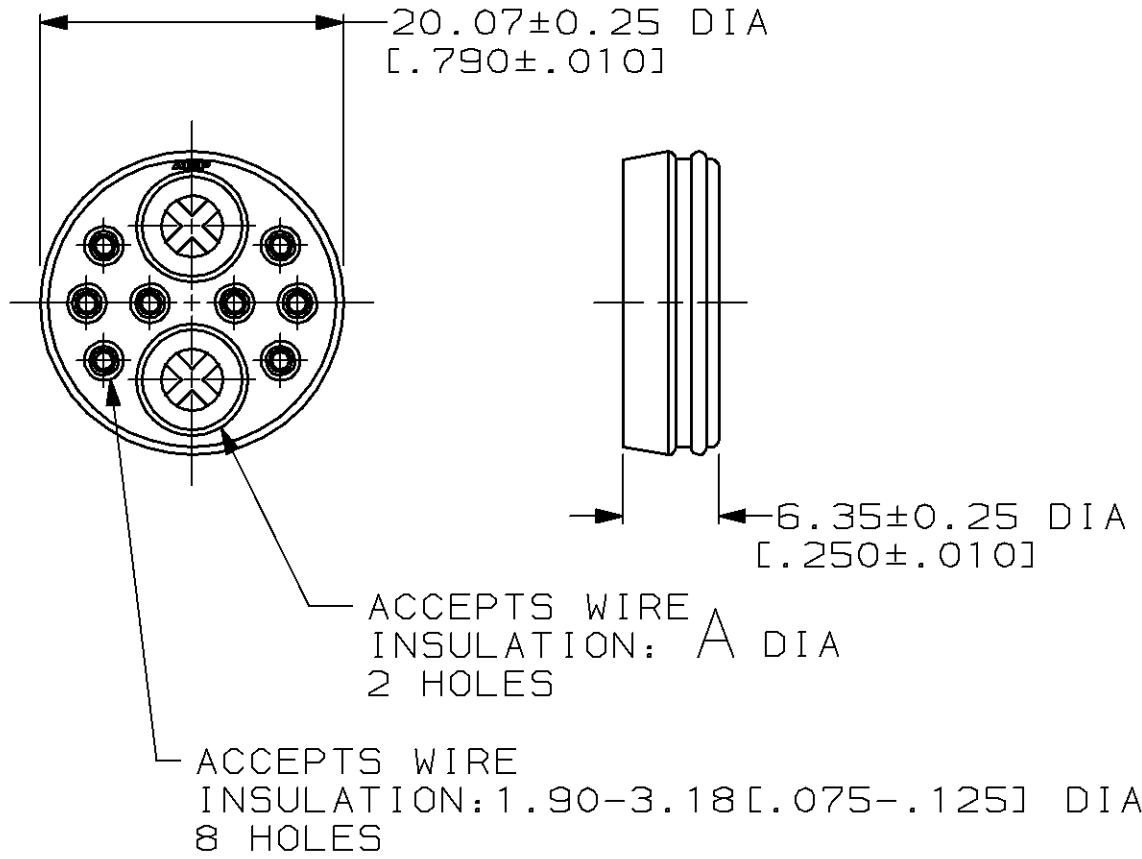
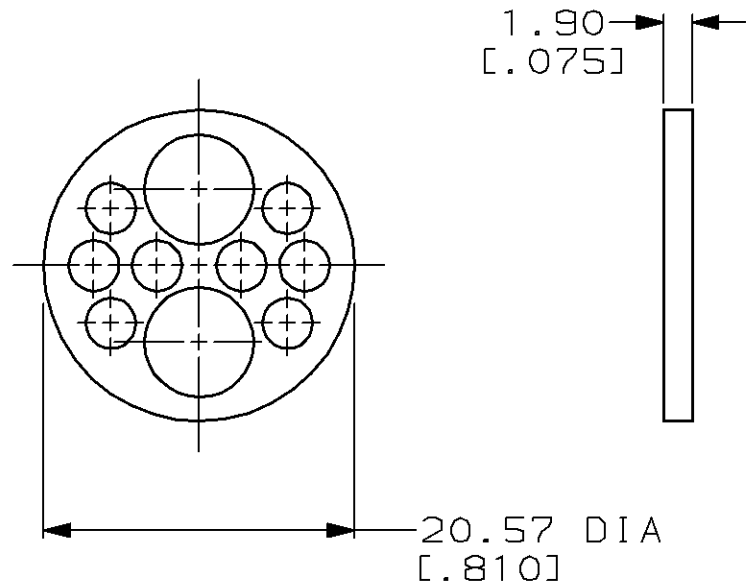


THIS DRAWING IS UNPUBLISHED. RELEASED FOR PUBLICATION ,19 .
 © COPYRIGHT 19 BY AMP INCORPORATED. ALL RIGHTS RESERVED.

LOC	DIST	REVISIONS					
FT	4	P	LTR	DESCRIPTION	DATE	DWN	APVD
			0	RLSE -1 THRU -4 PER NPR 5375, WAS 95-7970-28	07/12/95	-	-
			A	OBSOLETE -3, -4 AND REVISED PER EC 0020-900-95	15 SEP 95	DH	AF
			B	REV PER EC 0320-144-97	05 MAY 97	CO	AF
			C	ADDED -5 PER EC 0320-152-97	08 MAY 97	CO	AF



SEAL MATERIAL: SILICON, RED IRON OXIDE
QTY=1



PRESSURE PLATE
MATERIAL: NYLON, BLACK
QTY=1

	INDIVIDUAL	2.41-5.21 [.095-.205]	213900-5
OBSOLETE	-	-	213900-4
OBSOLETE	-	-	213900-3
	BULK	3.81-6.73 [.150-.265]	213900-2
	INDIVIDUAL	3.81-6.73 [.150-.265]	213900-1
	PACKAGING	A	PART NUMBER

THIS DRAWING IS A CONTROLLED DOCUMENT FOR AMP INCORPORATED. IT IS SUBJECT TO CHANGE AND THE CONTROLLING ENGINEERING ORGANIZATION SHOULD BE CONTACTED FOR THE LATEST REVISION.		DWN D. HARDY 07/12/95	AMP Incorporated Harrisburg, PA 17105-3608
DIMENSIONS: mm [INCHES]		CHK R. STONE 07/13/95	
TOLERANCES UNLESS OTHERWISE SPECIFIED:		APVD A. FRANTUM 07/13/95	
		NAME A. FRANTUM	
MATERIAL SEE CALLOUTS		FINISH -	PRODUCT SPEC 108-1579
		WEIGHT -	APPLICATION SPEC -
		CUSTOMER DRAWING	SIZE: A3 CAGE CODE: 00779 DRAWING NO: C-213900
		SCALE: 2:1	SHEET: 1 OF 1 REV: C