

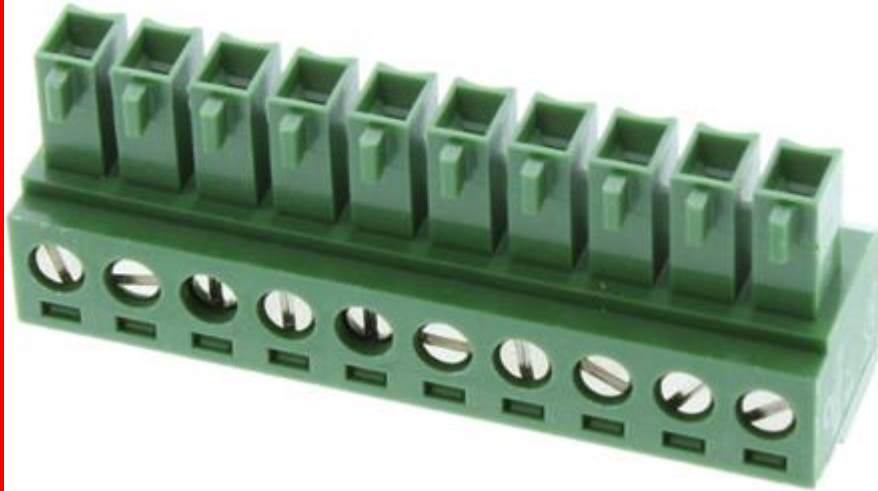


ENGLISH

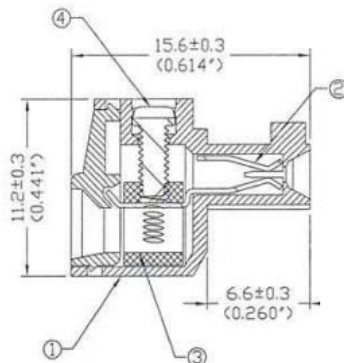
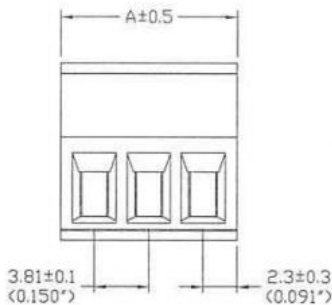
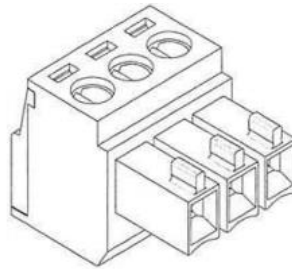
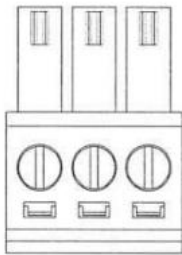
Datasheet

10 way 3.81mm terminal block Plug

RS Stock number 790-0856



Dimensions: (mm)





Specifications

- Current Rating: 10Amp AC300V
- Insulation withstands volts: AC2000V min
- Insulation resistance: > 2000 M Ω DC500V
- Operation Temperature: -40°C to +105°C
- Wire Strip Length: 6.5mm
- Wire Range: 16~26 AWG
- Screw Torque: 2.5 lb-inch

Material

- Insulating Body: Polyamide 66 (UL94V-0)
- Contact: phosphor Bronze
- Screw: Steel
- Cage Clamp : Brass

Finish

- Insulating Body: Green
- Cage Clamp: NI Plated
- Screw: NI Plated
- Contact: Tin Plated

- RoHS Compliant

Pitch : 3.81mm(0.150inch)					
Poles	A(mm)	A(inch)	Poles	A(mm)	A(inch)
2	8.41	0.331	15	57.94	2.281
3	12.22	0.481	16	61.75	2.431
4	16.03	0.631	17	65.56	2.581
5	19.84	0.781	18	69.37	2.731
6	23.65	0.931	19	73.18	2.881
7	27.46	1.081	20	76.99	3.031
8	31.27	1.231			
9	35.08	1.381			
10	38.89	1.531			
11	42.70	1.681			
12	46.51	1.831			
13	50.32	1.981			
14	54.13	2.131			