

CES-SRG-BK - Blind sleeve



0801670

<https://www.phoenixcontact.com/pc/products/0801670>

Please be informed that the data shown in this PDF document is generated from our online catalog. Please find the complete data in the user documentation. Our general terms of use for downloads are valid.



Blind sleeve, small, no. of conductors: 0, type: Blind sleeve, closed, material: NBR, color: black, length: 29.5 mm, width: 19.5 mm, height: 17 mm

Product description

Blind sleeves seal feed-through sections that are not required in CES sealing frames

Commercial data

Item number	0801670
Packing unit	10 pc
Minimum order quantity	10 pc
Product key	AF7CCX
GTIN	4046356674768
Weight per piece (including packing)	9.39 g
Weight per piece (excluding packing)	9.32 g
Customs tariff number	40169997
Country of origin	TW

CES-SRG-BK - Blind sleeve

0801670

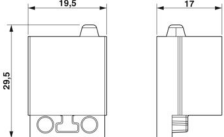
<https://www.phoenixcontact.com/pc/products/0801670>

Technical data

Product properties

No. of conductors	0
-------------------	---

Dimensions

Dimensional drawing	
Width	19.5 mm
Height	17 mm
Length	29.5 mm

Material specifications

Material	NBR
----------	-----

Characteristics

Conductor sealing range	Blind sleeve
Seal size	small
Design, Format	Blind sleeve
Design, Cable seal	closed

Environmental and real-life conditions

Ambient conditions

Degree of protection	IP54 IP65
Ambient temperature (operation)	-40 °C ... 125 °C (static)

Mounting

Assembly note	IP54: for vertical sealing frame mounting/for horizontal sealing frame mounting (downward cable outlet direction).
---------------	--

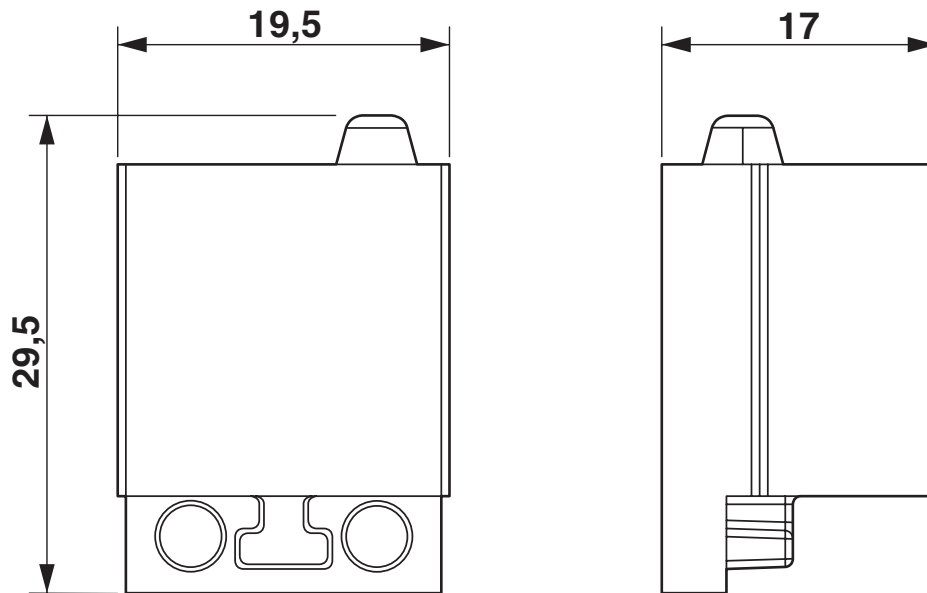
CES-SRG-BK - Blind sleeve

0801670

<https://www.phoenixcontact.com/pc/products/0801670>

Drawings

Dimensional drawing



Dimensional drawing

CES-SRG-BK - Blind sleeve



0801670

<https://www.phoenixcontact.com/pc/products/0801670>

Approvals

🔗 To download certificates, visit the product detail page: <https://www.phoenixcontact.com/pc/products/0801670>

DNV

Approval ID: TAE00003VJ

CES-SRG-BK - Blind sleeve



0801670

<https://www.phoenixcontact.com/pc/products/0801670>

Classifications

ECLASS

ECLASS-15.0	27144425
ECLASS-13.0	27144425

ETIM

ETIM 10.0	EC000451
-----------	----------

UNSPSC

UNSPSC 21.0	39121400
-------------	----------

0801670

<https://www.phoenixcontact.com/pc/products/0801670>

Environmental product compliance

EU RoHS

Fulfills EU RoHS substance requirements	Yes, No exemptions
---	--------------------

China RoHS

Environment friendly use period (EFUP)	EFUP-E
	No hazardous substances above the limits

EU REACH SVHC

REACH candidate substance (CAS No.)	No substance above 0.1 wt%
-------------------------------------	----------------------------

EF3.1 Climate Change

CO2e kg	0.453 kg CO2e
---------	---------------

CES-SRG-BK - Blind sleeve

0801670

<https://www.phoenixcontact.com/pc/products/0801670>



Accessories

CES-B10-HFFS-PLBK - Sealing frame

0801663

<https://www.phoenixcontact.com/pc/products/0801663>



Sealing frame, With locking latch, design: B10, Number of cable seals (small): 6, material: PA (halogen-free), color: black, length: 99.2 mm, width: 58 mm, height: 20 mm

CES-B16-HFFS-PLBK - Sealing frame

0801662

<https://www.phoenixcontact.com/pc/products/0801662>



Sealing frame, With locking latch, design: B16, Number of cable seals (small): 8, material: PA (halogen-free), color: black, length: 120 mm, width: 58 mm, height: 20 mm

CES-SRG-BK - Blind sleeve

0801670

<https://www.phoenixcontact.com/pc/products/0801670>

CES-B24-HFFS-PLBK - Sealing frame

0801661

<https://www.phoenixcontact.com/pc/products/0801661>



Sealing frame, With locking latch, design: B24, Number of cable seals (small): 10, material: PA (halogen-free), color: black, length: 147 mm, width: 58 mm, height: 20 mm

CES-B10-SFFS-PLBK - Sealing frame

0801660

<https://www.phoenixcontact.com/pc/products/0801660>



Sealing frame, with screw locking, design: B10, Number of cable seals (small): 6, material: PA (halogen-free), color: black, length: 99.2 mm, width: 58 mm, height: 20 mm

CES-SRG-BK - Blind sleeve

0801670

<https://www.phoenixcontact.com/pc/products/0801670>



CES-B16-SFFS-PLBK - Sealing frame

0801659

<https://www.phoenixcontact.com/pc/products/0801659>



Sealing frame, with screw locking, design: B16, Number of cable seals (small): 8, material: PA (halogen-free), color: black, length: 120 mm, width: 58 mm, height: 20 mm

CES-B24-SFFS-PLBK - Sealing frame

0801658

<https://www.phoenixcontact.com/pc/products/0801658>



Sealing frame, with screw locking, design: B24, Number of cable seals (small): 10, material: PA (halogen-free), color: black, length: 147 mm, width: 58 mm, height: 20 mm

Phoenix Contact 2026 © - all rights reserved
<https://www.phoenixcontact.com>

PHOENIX CONTACT GmbH & Co. KG
Flachsmarktstraße 8
D-32825 Blomberg
+49 (0) 5235-3 00
info@phoenixcontact.com