

SPECIFICATIONS

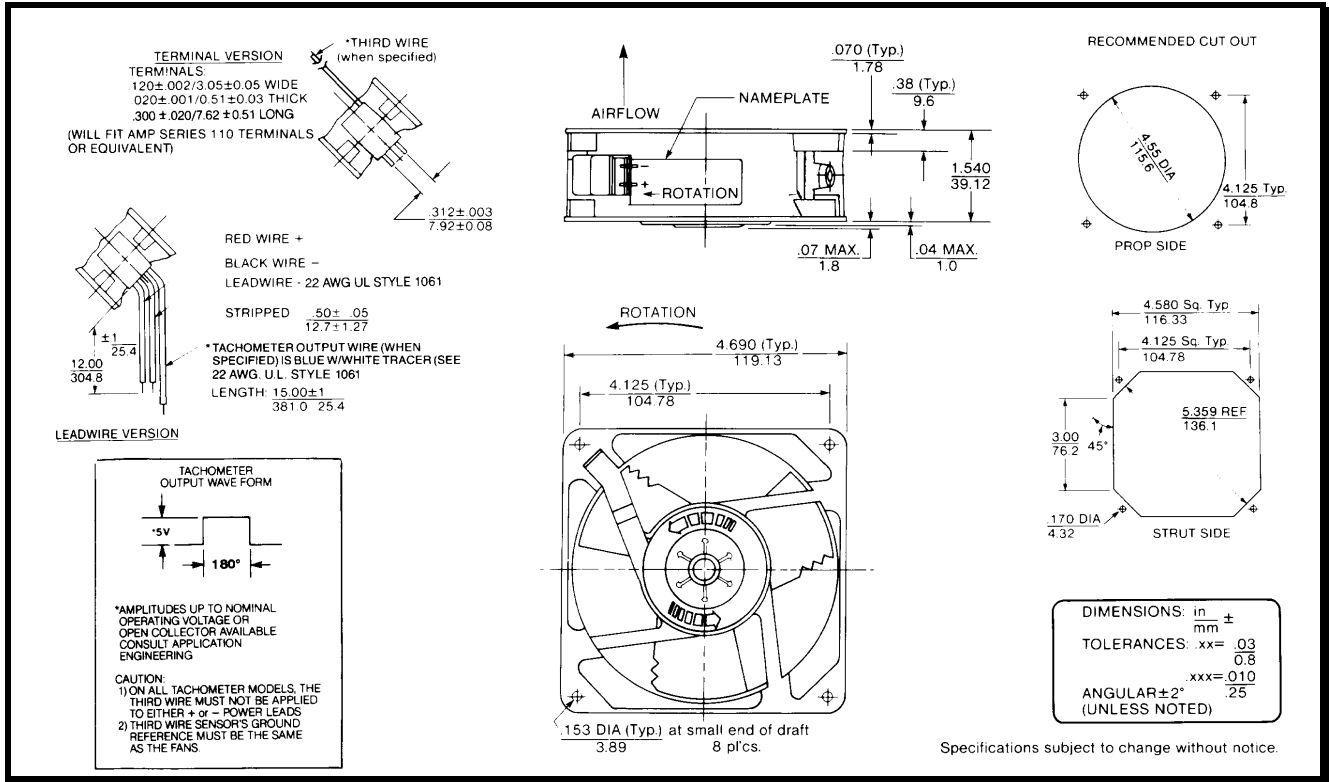
(RoHS compliant)



Model Number: MD48B2
Part Number: 19028870A

Apr. 01, 2016

Mechanical Drawing:



Motor:
 Nominal Voltage = 48 vdc
 Operating Voltage Range = 24 – 56 vdc
 Nominal Running Current = 0.120 amps
 Locked Rotor Current = 0.400 amps
 Running Power = 5.8 watts
 Average Speed = 3100 rpm
 Bearings = Ball
 Air Flow = 110 CFM
 Acoustic = 50.0 dBA

Construction:
 Venturi: Die-Cast Zinc Alloy, Black
 Propeller: Plastic, Black, UL 94V-0

Life Expectancy:
 This fan is designed for continuous duty life of 83,000 hours at 40°C.

Additional Features:
 Brushless DC Motor
 Locked Rotor Protection
 Polarity Protection
 Automatic Restart Capability
 Operating Temperature: -10°C to 70°C
 Storage Temperature: -40°C to 85°C

Termination:
 2 Terminals

Agency Approvals:
 UL, CE