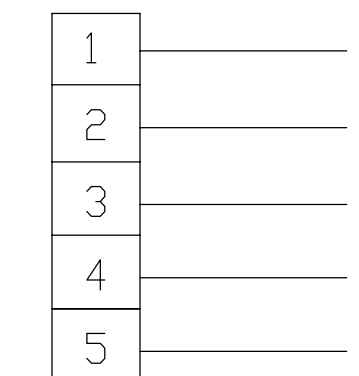
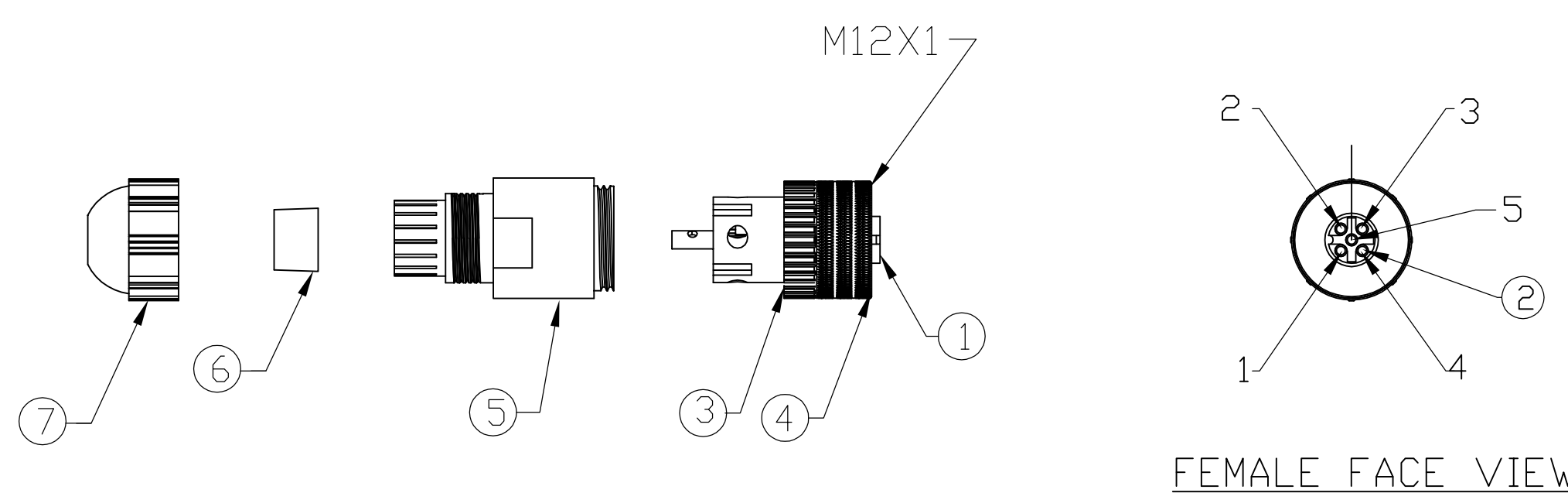
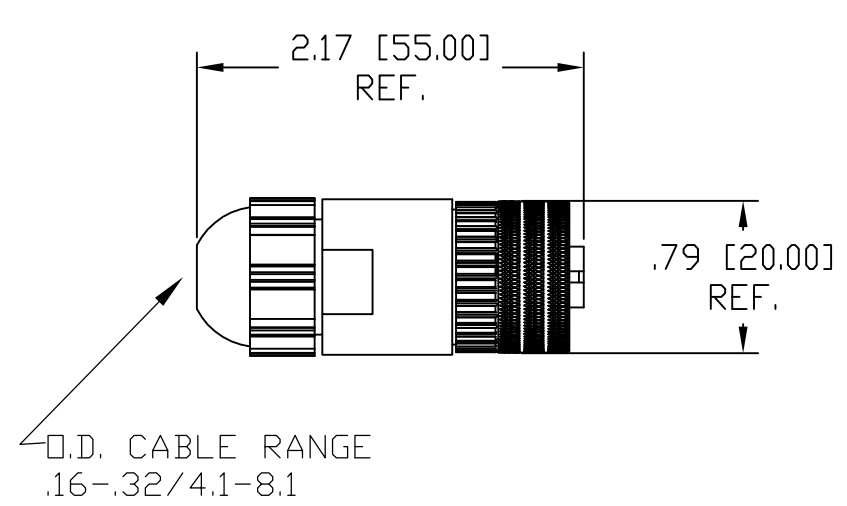
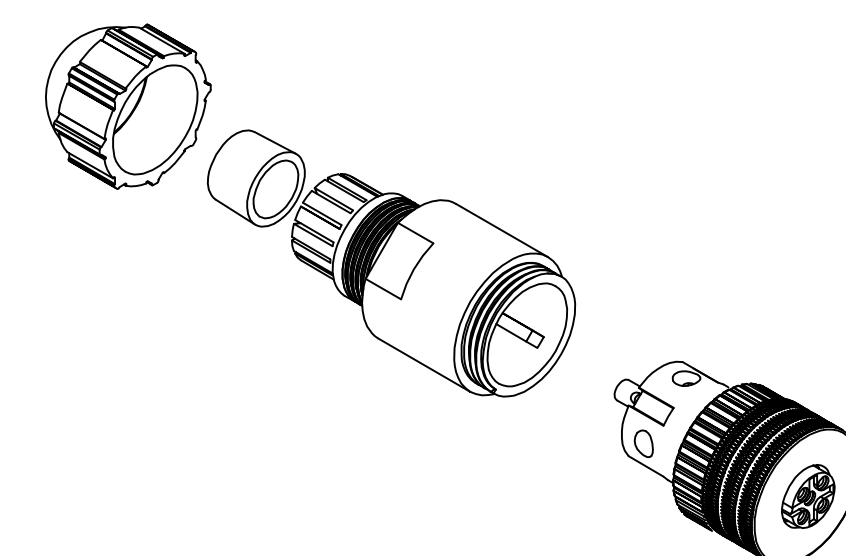


MATERIAL NUMBER	ENGINEERING NUMBER
1200710043	8A5000-32



WIRING CHART

VOLTAGE RATING	30VAC/36VDC
AMPERAGE RATING	4 AMPS
PROTECTION	IP67
OPERATING TEMPERATURE	-25°C TO 90°C
CSA CERTIFICATIONS	CSA CERTIFIED, FILE NO. LR6837

ITEM		COMPONENT	MATERIAL	FINISH
1	1	INSERT	POLYAMIDE	BLACK
2	5	CONTACTS	COPPER ALLOY	SILVER PLATED
3	1	O-RING	NITRILE	BLACK
4	1	COUPLING NUT	BRASS	NICKEL PLATED
5	1	MOLDED BODY	POLYAMIDE	BLACK
6	1	GROMMET	NITRILE	BLACK
7	1	CORD GRIP BODY	POLYAMIDE	BLACK

RELEASE EC NO: WEU2010-0045 DRWN: TWOLDEGE 8/11/09 CH'KD: BWOODMAN APPR: JFMURPHY 2009/08/21	DESCRIPTION REV	QUALITY SYMBOL	GENERAL TOLERANCES (UNLESS SPECIFIED) 4 PLACES ±--- ±--- 3 PLACES ±--- ±--- 2 PLACES ±--- ±.01 1 PLACE ±0.3 ±--- ANGULAR ±---° DRAFT WHERE APPLICABLE MUST REMAIN WITHIN DIMENSIONS	DIMENSION STYLE	SCALE	DESIGN UNITS	THIRD ANGLE PROJECTION	
		▽=0 ▽=0		--- ---	INCH	DRAWN BY DATE TWOLDEGE 2009/08/07 CHECKED BY DATE BWOODMAN 2009/08/10 APPROVED BY DATE		TITLE MIC 5P FEMALE ATTACH .16-.32 O.D. CABLE RANGE PG9 CABLE FITTING
		MOLEX		MATERIAL NO. 1200710043	DOCUMENT NO. SD-120071-006	SHEET NO. 1 OF 1		
		THIS DRAWING CONTAINS INFORMATION THAT IS PROPRIETARY TO MOLEX INCORPORATED AND SHOULD NOT BE USED WITHOUT WRITTEN PERMISSION						