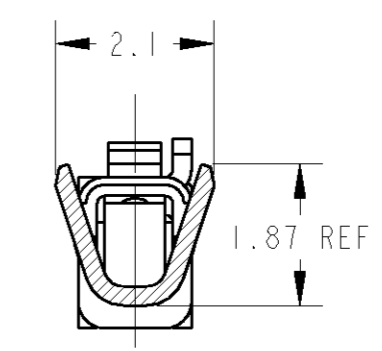
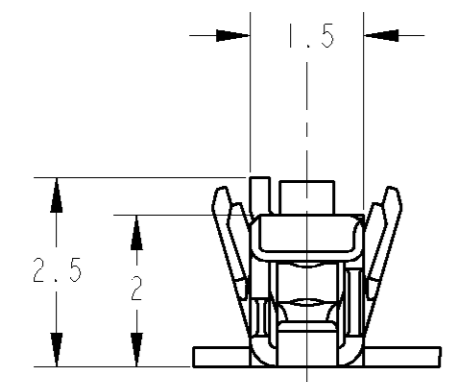
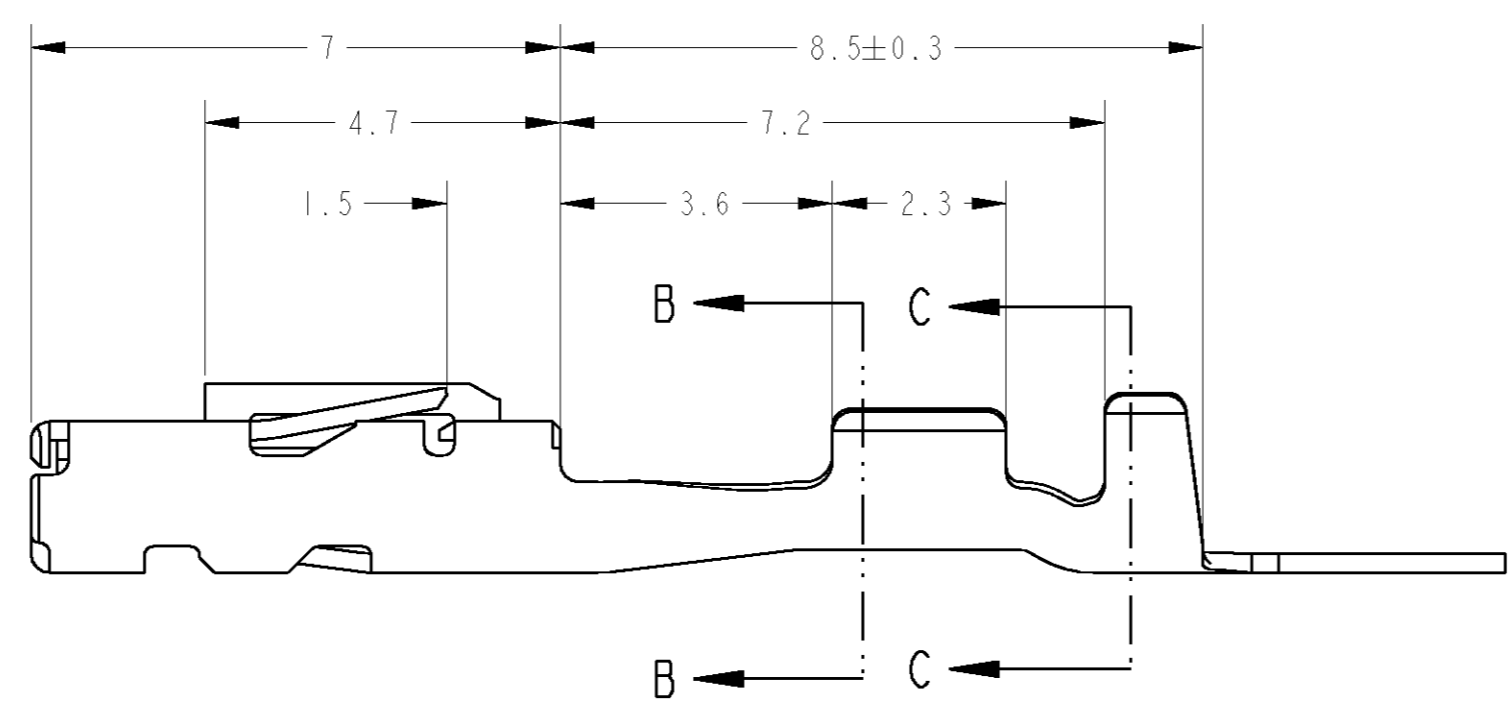
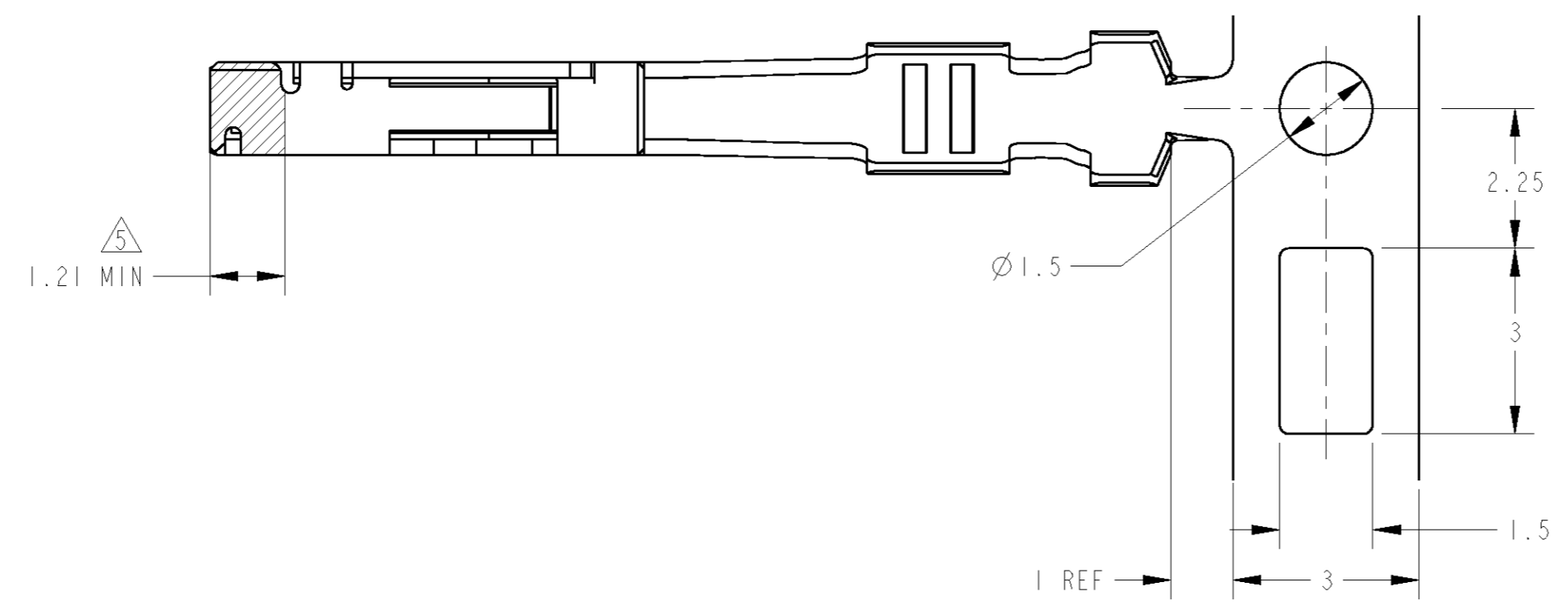
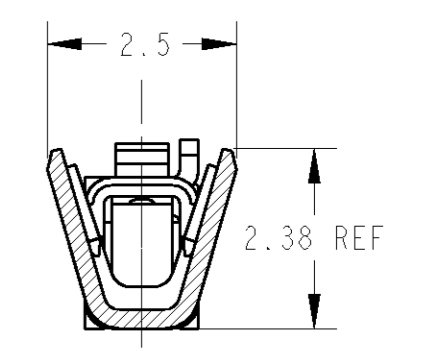


THIS DRAWING IS UNPUBLISHED. RELEASED FOR PUBLICATION
 © COPYRIGHT 1999, 1.25 BY TYCO ELECTRONICS CORPORATION. ALL RIGHTS RESERVED.

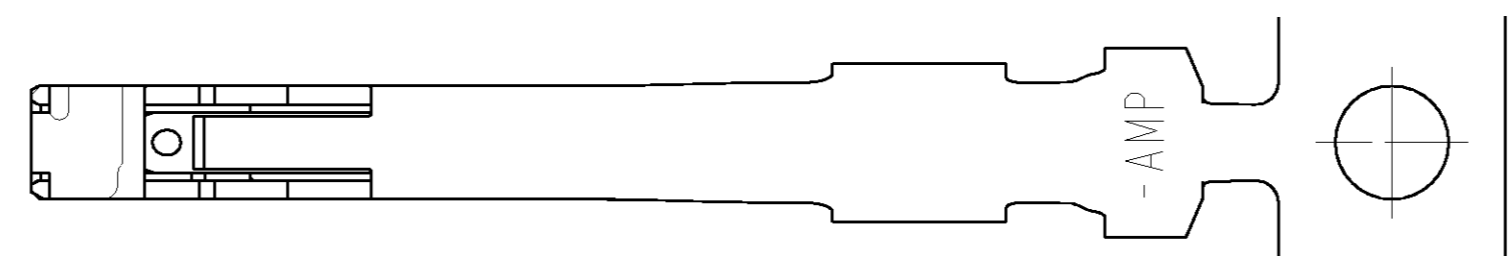
LOC		DIST		REVISIONS				
P	LTR	DESCRIPTION	ECN	DATE	DWN	APVD		
	04	REVISED	ECR-06-001476	19JAN06	AY	HY		
	05	REVISED	ECR-06-001254	06JUN06	TS	KB		



断面 B-B



断面 C-C



- 適用電線:
AVSS, AVSSH-f 0.3-0.5mm²
CAVS, CAVUS 0.22-0.5mm²
 - 取付適用規格; 114-5250
 - アプリケーション送りピッチ; 7.5mm
 - バラ端子型番;
PRE-TIN; 1318143-1
SELECTIVE GOLD; 1318143-2
- △ 識別用金めっき範囲を示す。
- APPLICABLE WIRE RANGE ;
AVSS, AVSSH-f 0.3-0.5mm²
CAVS, CAVUS 0.22-0.5mm²
 - APPLICATION SPEC ; 114-5250
 - APPLICATOR FEED; 7.5mm.
 - P/N OF LOOSE PIECE;
PRE-TIN; 1318143-1
SELECTIVE GOLD; 1318143-2
- △ GOLD PLATED AREA FOR DISCRIMINATION.

SEE DRAWING 1123343-7	1123343-7
PRELIMINARY	1123343-5
△ SELECTIVE GOLD	1123343-2
PRE-TIN	1123343-1
FINISH	AMP PART NO.

WIRE RANGE 適合電線範囲 0.22-0.56mm² INSULATION DIA 絶縁外径 Ø0.95-1.7

THIS DRAWING IS A CONTROLLED DOCUMENT FOR TYCO ELECTRONICS CORPORATION IT IS SUBJECT TO CHANGE AND THE CONTROLLING ENGINEERING ORGANIZATION SHOULD BE CONTACTED FOR THE LATEST REVISION.		DWN H. YAMAGAMI 25JAN99
DIMENSIONS: 単位: 純 mm		CHK T. KOUNO 25JAN99
TOLERANCES UNLESS OTHERWISE SPECIFIED: 一般公差 = ± 0.2		APVD N. SAI 25JAN99
0-PLC ±		PRODUCT SPEC
1-PLC ±0.1		APPLICATION SPEC
2-PLC ±0.15		取付適用規格
3-PLC ±0.001		114-5250
4-PLC ±0.0001		WEIGHT
ANGLES ±3°00'		0.2g
FINISH 仕上		CUSTOMER DRAWING
COPPER ALLOY		SEE TABLE

tyco Electronics		Tyco Electronics AMP K.K. Kawasaki, Japan	
025 RECEPTACLE CONTACT			
SIZE	CAGE CODE	DRAWING NO	RESTRICTED TO
A2		G-1123343	
SCALE 10:1		SHEET 1 OF 1	REV 05