



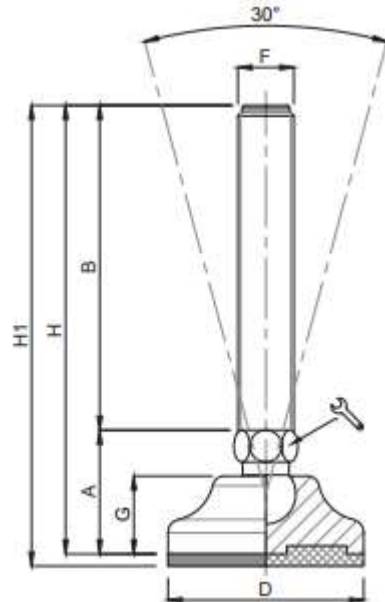
ENGLISH

RS PRO Mild Steel Height Adjustable Plastic Mounts

The RS Pro Height Adjustable mounts are used for levelling and support in many applications including food processing units, packing systems and conveyor systems.

The Plastic Foot base is made from a black polyamide material, reinforced by fiber glass, along with a Steel Thread.

These mounts have 30 degree articulation capabilities.



Article Number	A (mm)	B (mm)	D (mm)	F	G (mm)	H (mm)	Static Load (kg)	Metal Type	Articulation (Degrees)
2245789	31	125	50	M12	20	156	1100	Mild Steel	30
2245790	31	150	50	M12	20	181	1100	Mild Steel	30
2245791	31	75	50	M12	20	106	1100	Mild Steel	30
2245792	33	150	65	M16	23	183	1500	Mild Steel	30
2245793	33	200	65	M16	23	233	1500	Mild Steel	30
2245795	33	75	65	M16	23	108	1500	Mild Steel	30