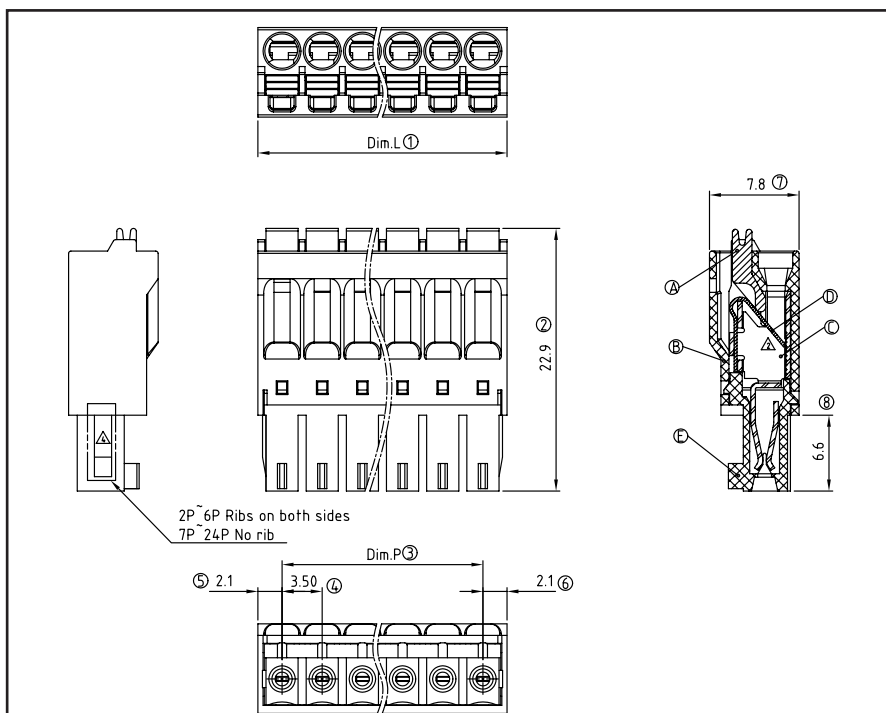


Low Profile (flange version)

TECHNICAL INFORMATION

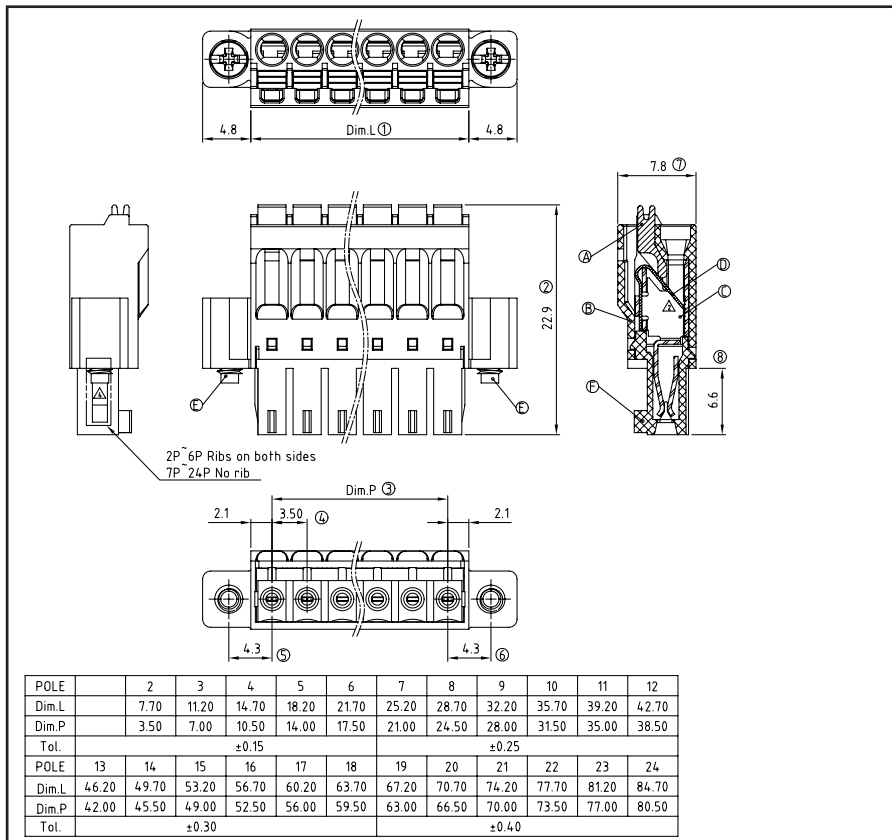
HSFE Series		
Pitch Available (mm)	3.5/ 3.81	5.00/5.08
Poles Available	2 - 24	2 - 24
Voltage Rating	160V	300V
Current Rating	5.5A	12A
Withstanding voltage	1.32 KV	1.6KV
Solid Wire (AWG)	16 - 24	14 - 24
Stranded Wire (AWG)	16 - 24	14 - 24
Wire Strip Length (mm)	9~10	11~12
Operating Temperature	-40°C to +115 °C	-40°C to +115 °C

DRAWINGS

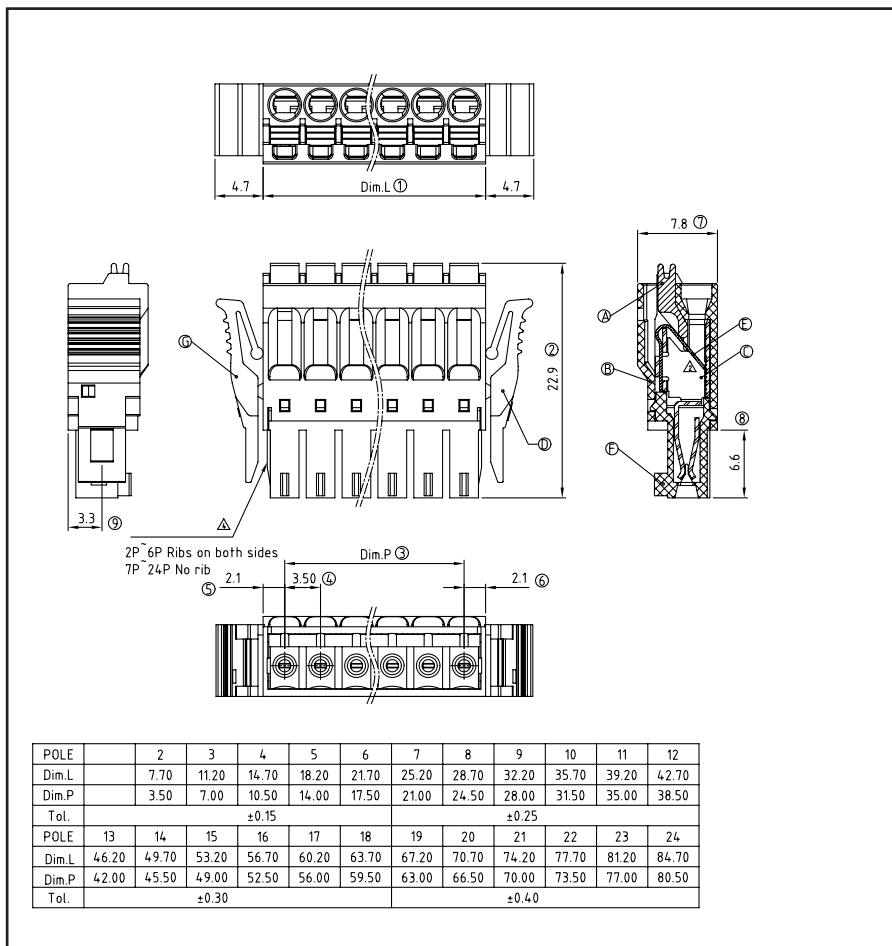


3.5mm pitch

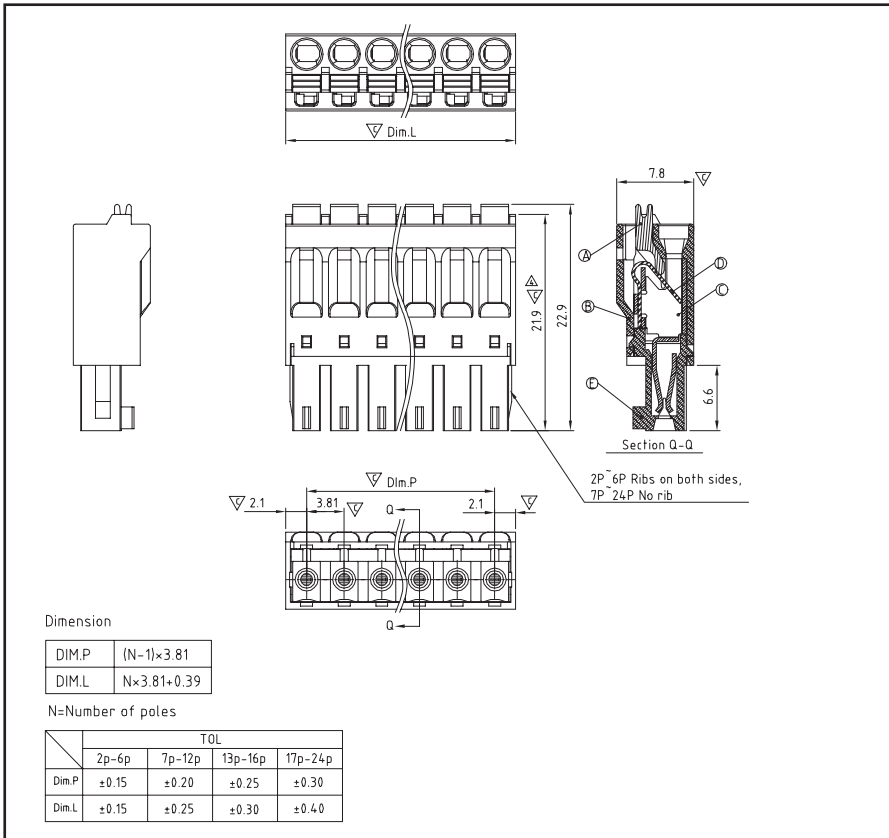
3.5mm pitch With Flange



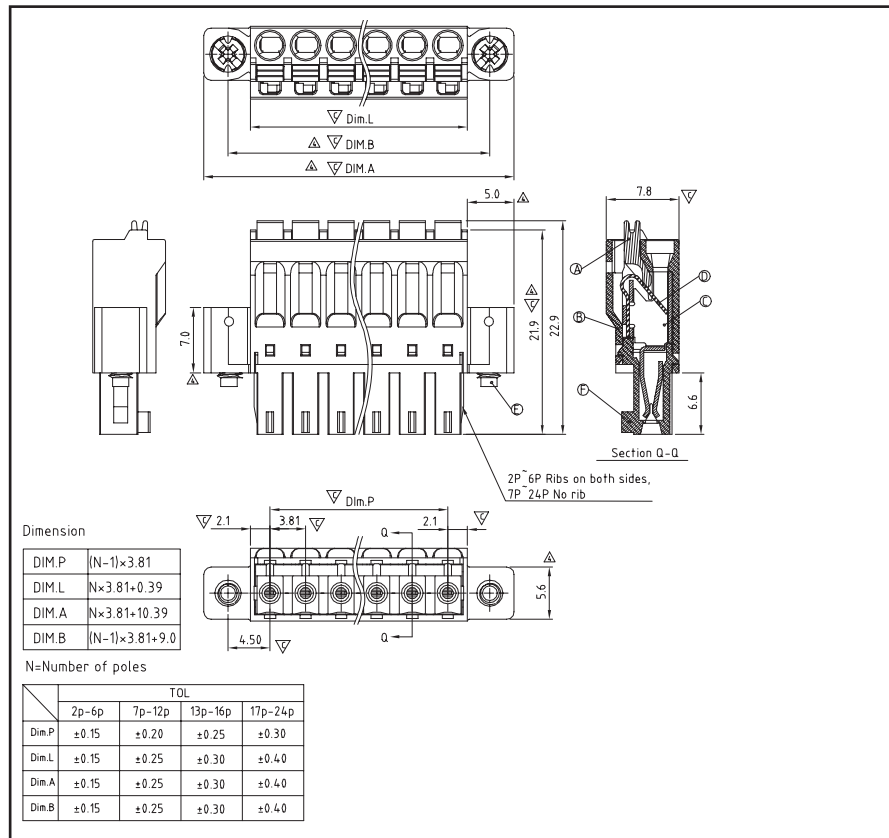
3.5mm pitch With Latch



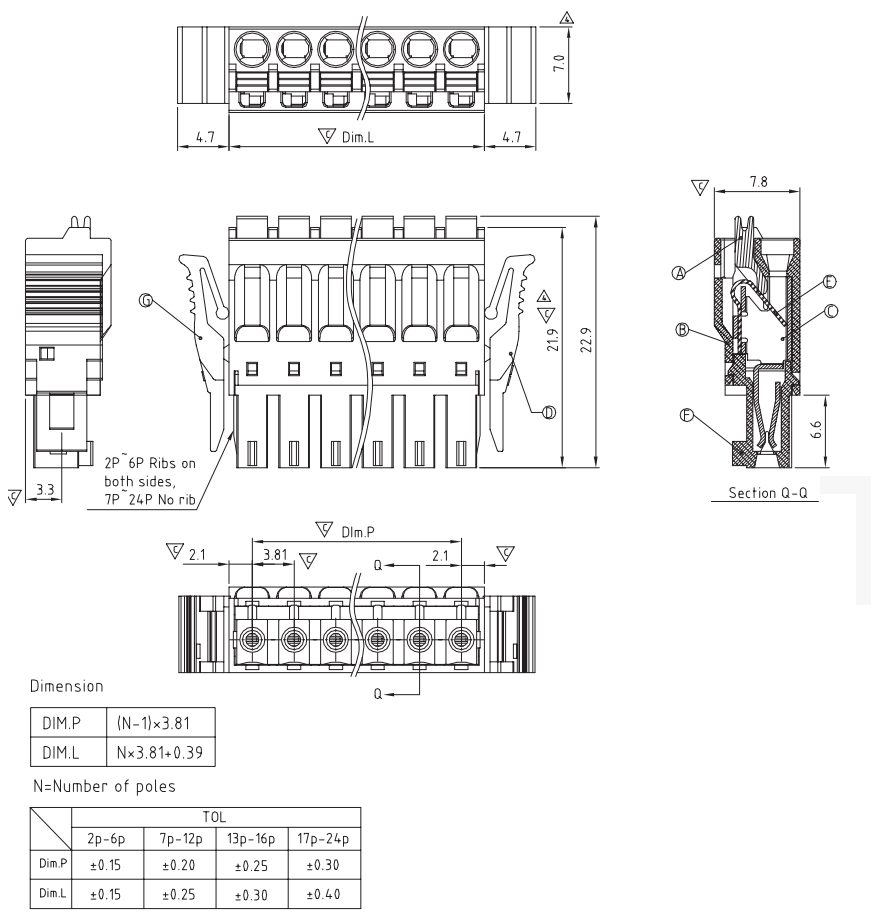
3.81mm pitch



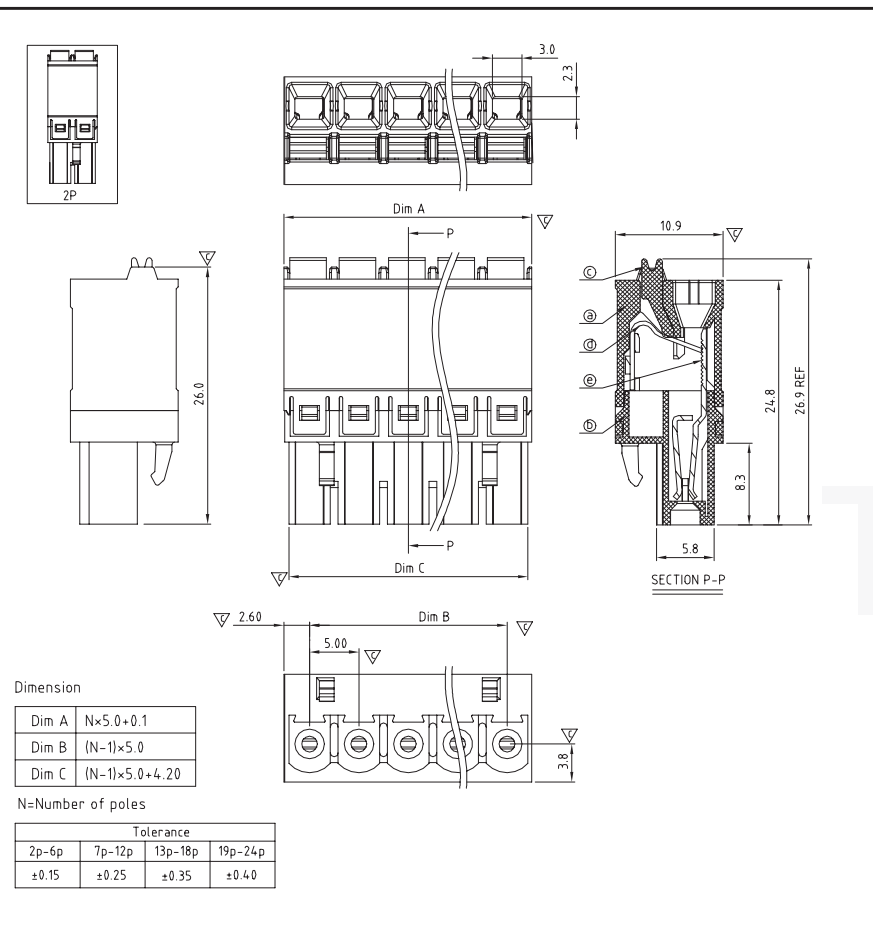
3.81mm pitch With Flange



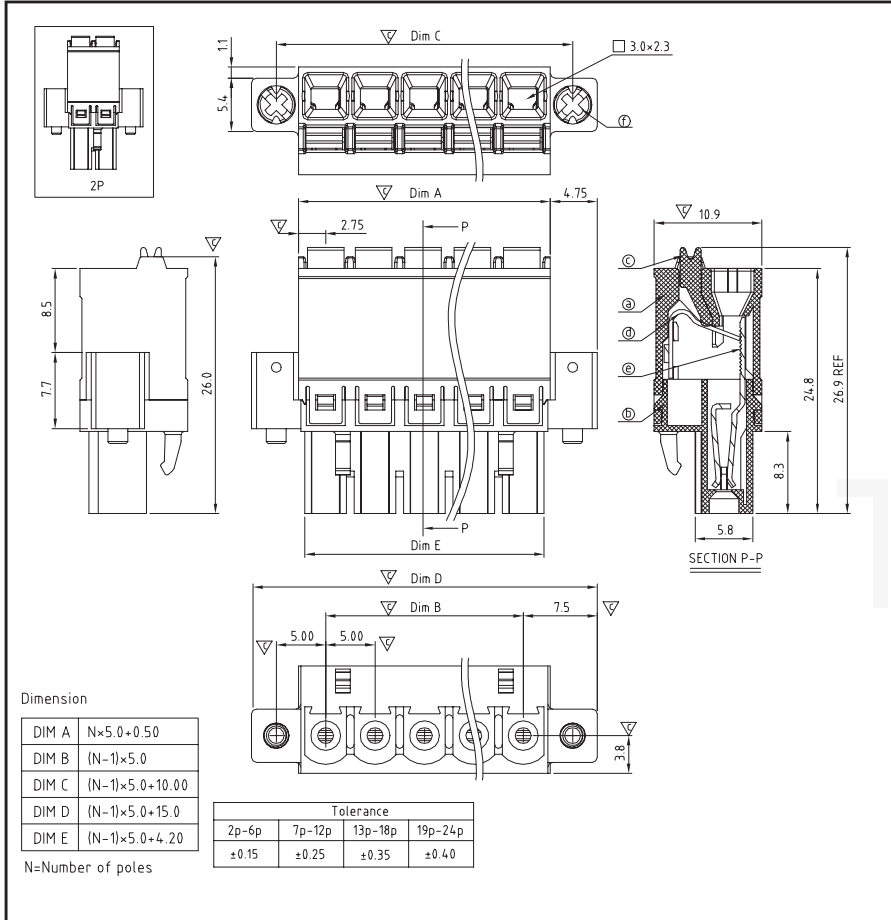
3.81mm pitch With Latch



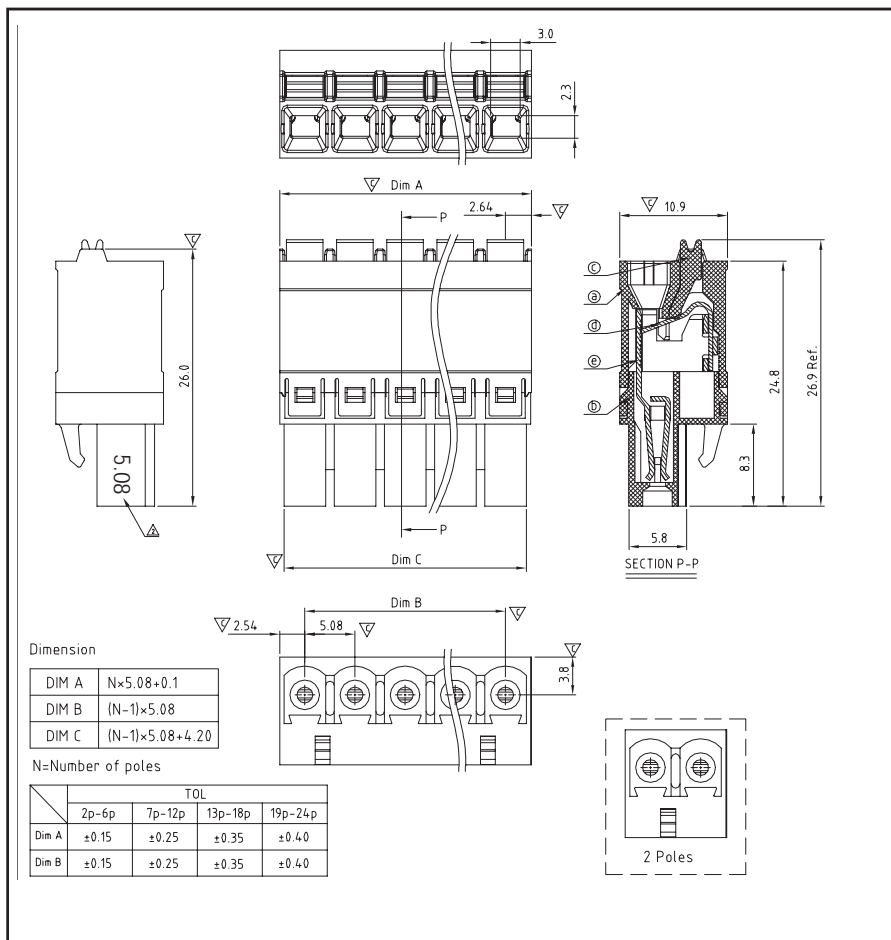
5.00mm pitch



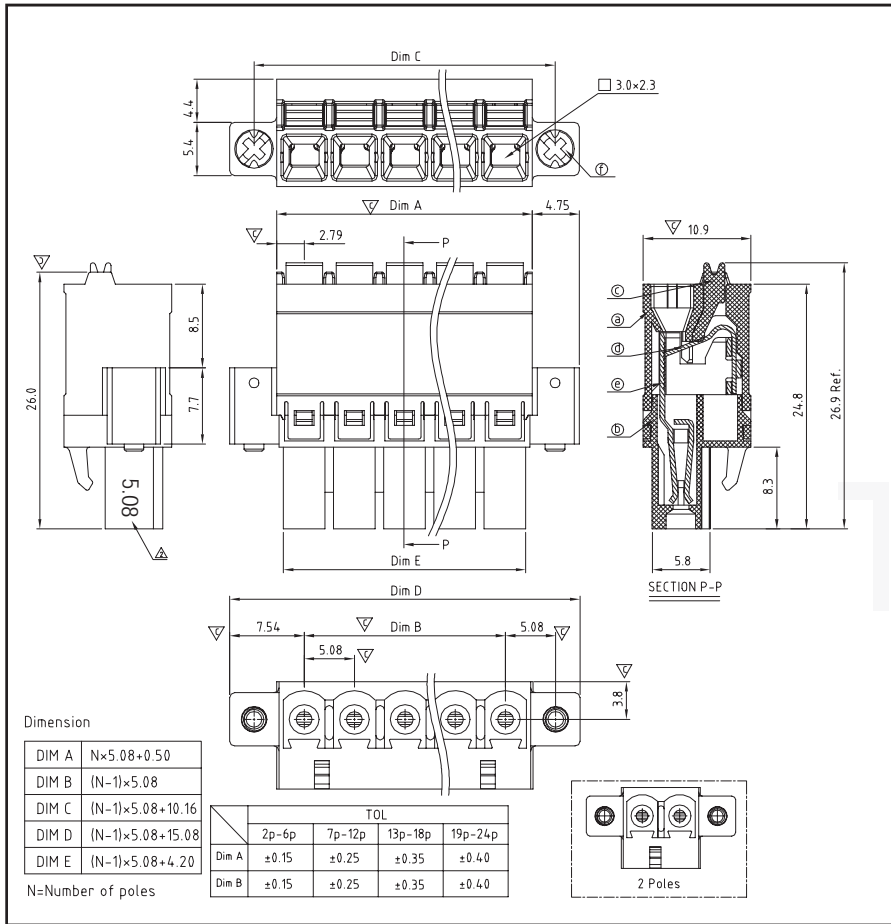
5.00mm pitch With Flange



5.08mm pitch



5.08mm pitch With Flange



ORDERING CODES

