



### Actuator:

<b>Design of the operating mechanism</b>		illuminated pushbutton with flat button
<b>Shape / of the activation element</b>		round
<b>Manner of function / of the activation element</b>		
• arresting lock		No
• tentative		Yes
<b>Outer diameter / of the activation element</b>	mm	28.5
<b>Material / of the activation element</b>		plastic

### Button:

<b>Design of the button</b>		flat
<b>Color / of the button</b>		clear

### Front ring:

<b>Material / of the front ring</b>		metal
<b>Color / of the front ring</b>		silver

### General technical details:

<b>Design of the product</b>		with flat button
<b>Number of control points</b>		1
<b>Number of indicator lights / installable</b>		1

<b>Number of switching positions</b>		2
<b>Product extension / optional / fluorescent materials</b>		Yes
<b>Product function / emergency-OFF function</b>		No
<b>Type of unlocking device</b>		without
<b>Resistance against shock</b>		
<ul style="list-style-type: none"> <li>• for devices with incandescent lamp / according to IEC 60068-2-27</li> </ul>		<= 30g
<ul style="list-style-type: none"> <li>• for devices without incandescent lamp / according to IEC 60068-2-27</li> </ul>		<= 50g
<b>Operating cycles / maximum</b>	1/h	1,000
<b>Resistance against vibration / according to IEC 60068-2-6</b>		20 ... 200 Hz: 5g
<b>Mechanical operating cycles as operating time / typical</b>		3,000,000
<b>Item designation</b>		
<ul style="list-style-type: none"> <li>• according to DIN 40719 extendable after IEC 204-2 / according to IEC 750</li> </ul>		S
<ul style="list-style-type: none"> <li>• according to DIN EN 61346-2</li> </ul>		S

#### Auxiliary Contacts:

<b>Number of NC contacts / for auxiliary contact</b>		0
<b>Number of NO contacts / for auxiliary contact</b>		0
<b>Number of change-over switches / for auxiliary contact</b>		0

#### Installation/mounting/dimensions:

<b>Color / of the lens</b>		clear
<b>Product component / front ring</b>		Yes
<b>Material / of the housing</b>		metal
<b>Type of mounting</b>		front mounting
<b>Installation width</b>	mm	22
<b>Shape / of the installation hole</b>		round
<b>Mounting diameter</b>	mm	22
<b>Height</b>	mm	30
<b>Width</b>	mm	30
<b>Depth</b>	mm	45
<b>Tightening torque / of the screws in the holder / maximum</b>	N·m	1

#### Ambient conditions:

<b>Ambient temperature</b>		
<ul style="list-style-type: none"> <li>• during the operating phase</li> </ul>	°C	70 ... -25
<ul style="list-style-type: none"> <li>• during storage</li> </ul>	°C	-40 ... 80
<b>Protection class IP</b>		IP67
<b>Climatic class / according to DIN EN ISO 6270-2</b>		KTW24

## Certificates/approvals:

### General Product Approval



### Test Certificates

[Manufacturer](#)

### Shipping Approval

[ABS](#)



[PRS](#)



### other

[Manufacturer](#)

## Further information:

### Information- and Downloadcenter (Catalogs, Brochures,...)

<http://www.siemens.com/industrial-controls/catalogs>

### Industry Mall (Online ordering system)

<http://www.siemens.com/industrial-controls/mall>

### CAX-Online-Generator

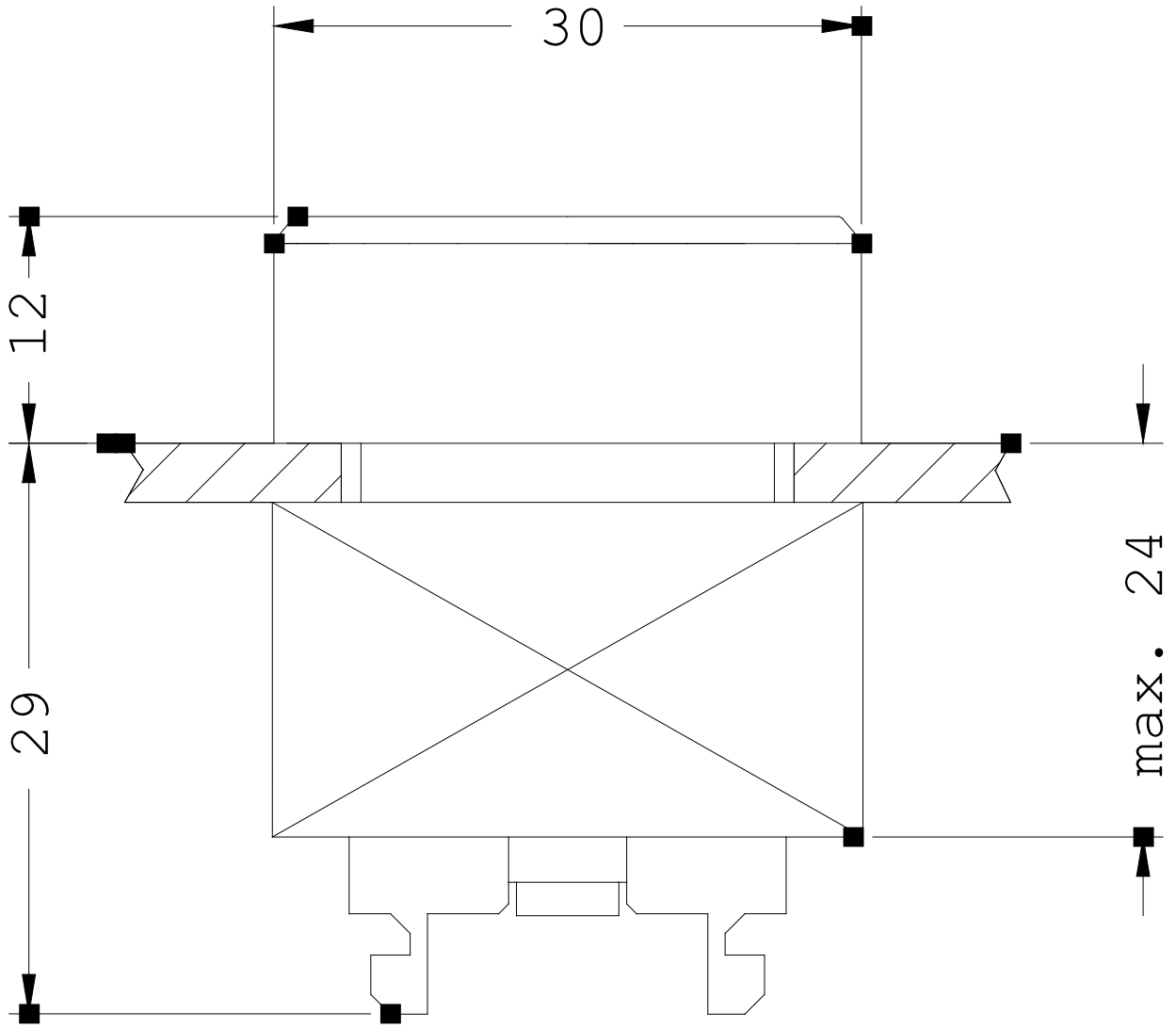
<http://www.siemens.com/cax>

### Service&Support (Manuals, Certificates, Characteristics, FAQs,...)

<http://support.automation.siemens.com/WW/view/en/3SB3501-0AA71-0PA0/all>

### Image database (product images, 2D dimension drawings, 3D models, device circuit diagrams, ...)

[http://www.automation.siemens.com/bilddb/cax\\_en.aspx?mlfb=3SB3501-0AA71-0PA0](http://www.automation.siemens.com/bilddb/cax_en.aspx?mlfb=3SB3501-0AA71-0PA0)



last change:

Sep 6, 2010