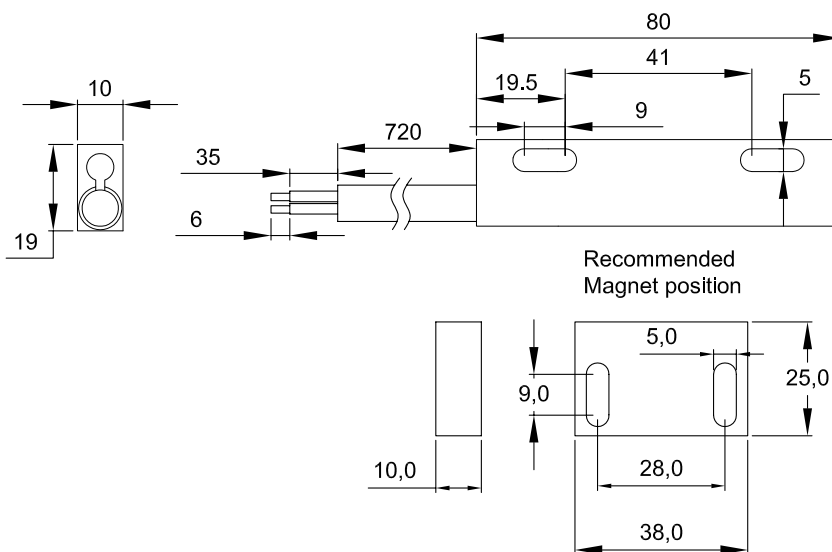


Aluminium Housed Proximity Switch - Normally Open Contacts

DIMENSIONS



✓ RoHS Compliant

Drawings not to scale
All dimensions in mm nominal

SPECIFICATION

Contact Form / Style		Normally open
Switching voltage	Max Volts	1500 AC/DC
Switching Current	Max Amps	3.0
Switching Capacity	Max W/VA	120
Switching distance	(Typical) Make	13mm (with recommended magnet)
	(Typical) Break	23mm (with recommended magnet)
Carry Current	Max Amps	5.0
Contact Resistance	Max mOhms	100
Operating Temperature	Celsius	-20° to 85°
Case Material		Blue powder coated Aluminium
Cable		3 core 0.75mm ² Black PVC insulated, Br / BI / G&Y

Applications Include

- Position sensing.
- Linear actuators.
- Security switching.
- Safety guards/devices

Options/Features

- Robust sealed switch, custom housings available.
- Changeover version available.
- Custom cable types, cable lengths, connectors or crimp terminals available.
- Hermetically sealed reed switch for long life.
- Earthed housing for added safety.