



ENGLISH

Datasheet

DC Axial Fan, 25 x 25 x 10mm, 4.6m/h, 0.84W, 12 V dc (OD2510 Series)

RS Stock number [619-6769](#)



RS Part Number	Speed (RPM)	Airflow (CFM)	Noise (db)	Volts (DC)	Voltage Range	Current (Amps)	Lead Type
6196769	12000	2.7	28	12	7~14	0.07	Wire

*01A: indicates open collector tach output

Data Tolerance +/-10%

Frame and Impeller

PBT, UL94V-0 Thermoplastic

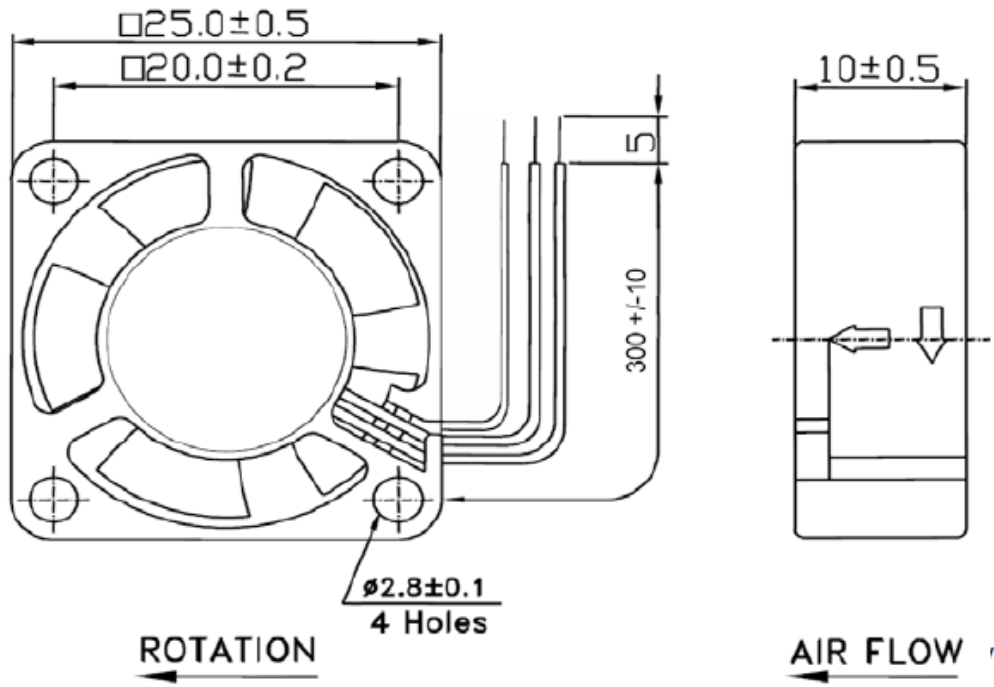
Available Options

Tachometer

Locked Rotor Alarm

Finger Guard: G25-2

Drawing(mm):



MOTOR

Brushless DC, polarity protected, locked rotor protected (current limited), auto restart

INSULATION RESISTANCE
Min. 10 M ohms at 500VDC

LIFE EXPECTANCY (L10)
Ball Bearing 60,000 Hours

Operating Temperature
-10C ~ +70C

Safety Approvals
UL/CUL, TUV, CE