

300mA HIGH SPEED, EXTREMELY LOW NOISE CMOS LDO REGULATOR

Description

The AP2127 Series are positive voltage regulator ICs fabricated by CMOS process.

The AP2127 Series have features of low dropout voltage, low noise, high output voltage accuracy, and low current consumption which make them ideal for use in various battery-powered devices.

AP2127 has 1.0V, 1.2V, 1.5V, 1.8V, 2.5V, 2.8V, 3.0V, 3.3V, 4.2V, 4.75V, 5.2V fixed voltage versions and 0.8V to 5.5V adjustable voltage versions.

AP2127 Series are available in SOT-23 (for fixed versions only), SOT-23-3 (for fixed versions only), SOT-23-5, SOT-89 (for fixed versions only) and DFN-2x2-6 packages.

Applications

- Datacom
- Notebook Computers
- Mother Board

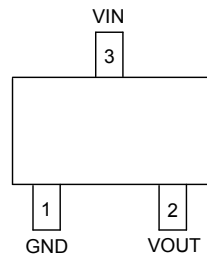
Notes: 1. No purposely added lead. Fully EU Directive 2002/95/EC (RoHS) & 2011/65/EU (RoHS 2) compliant.
 2. See http://www.diodes.com/quality/lead_free.html for more information about Diodes Incorporated's definitions of Halogen- and Antimony-free, "Green" and Lead-free.
 3. Halogen- and Antimony-free "Green" products are defined as those which contain <900ppm bromine, <900ppm chlorine (<1500ppm total Br + Cl) and <1000ppm antimony compounds.

Features

- Wide Operating Voltage: 2.5V to 6V
- High Output Voltage Accuracy: $\pm 2\%$
- High Ripple Rejection: 68dB @ f = 1kHz, 54dB @ f = 10kHz
- Low Standby Current: 0.1 μ A
- Low Dropout Voltage: 170mV @ 300mA for V_{OUT} = 3.3V, 140mV @ 300mA for V_{OUT} = 5.2V
- Low Quiescent Current: 60 μ A Typical
- Low Output Noise: 60 μ V_{RMS} @ V_{OUT} = 0.8V
- Short Current Limit: 50mA
- Over Temperature Protection
- Compatible with Low ESR Ceramic Capacitor: 1 μ F for C_{IN} and C_{OUT}
- Excellent Line/Load Regulation
- Soft Start Time: 50 μ s
- Auto Discharge Resistance: R_{DS(ON)} = 60 Ω
- **Totally Lead-Free & Fully RoHS Compliant (Notes 1 & 2)**
- **Halogen and Antimony Free. "Green" Device (Note 3)**

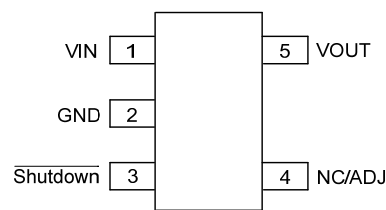
Pin Assignments

(Top View)



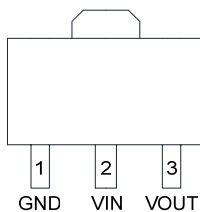
(SOT-23/SOT-23-3/ N/N3 Package)

(Top View)



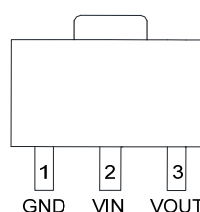
(SOT-23-5/ K Package)

(Top View)



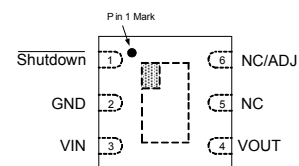
(SOT-89 Option 1/ R Package)

(Top View)



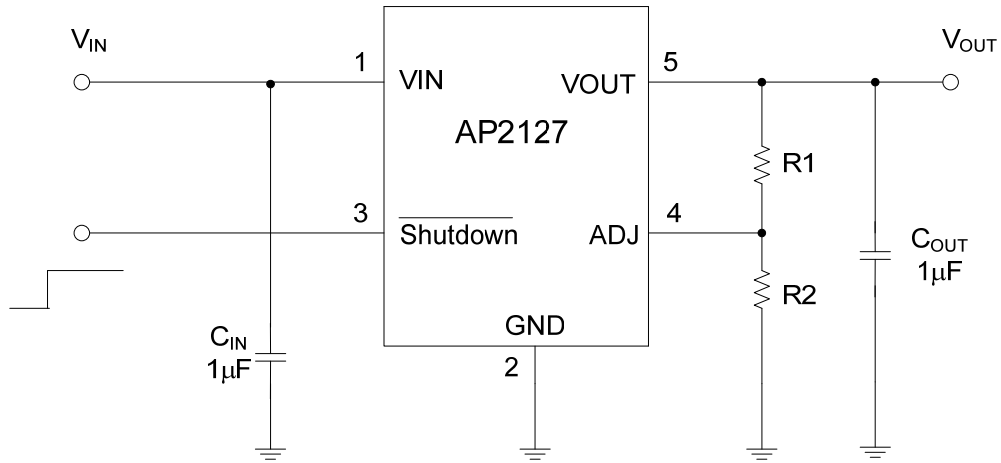
(SOT-89 Option 2/ R Package)

(Top View)

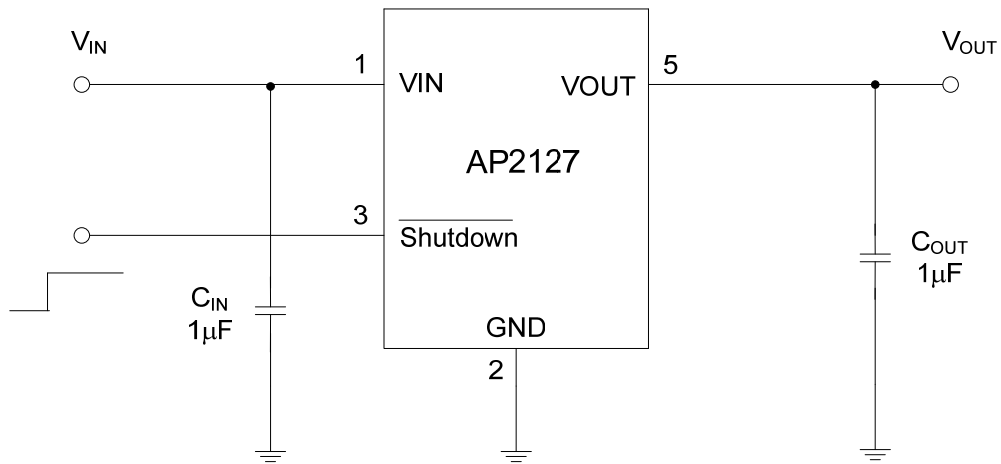


(DFN-2x2-6/ DN Package)

Typical Applications Circuit



$$V_{OUT} = 0.8(1+R1/R2)V$$

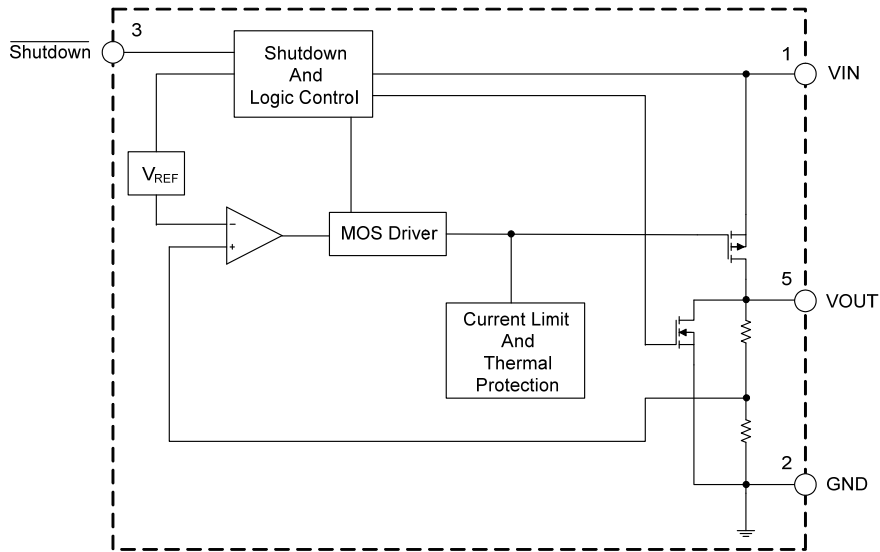


For 1.0V to 5.2V Fixed Voltage Versions

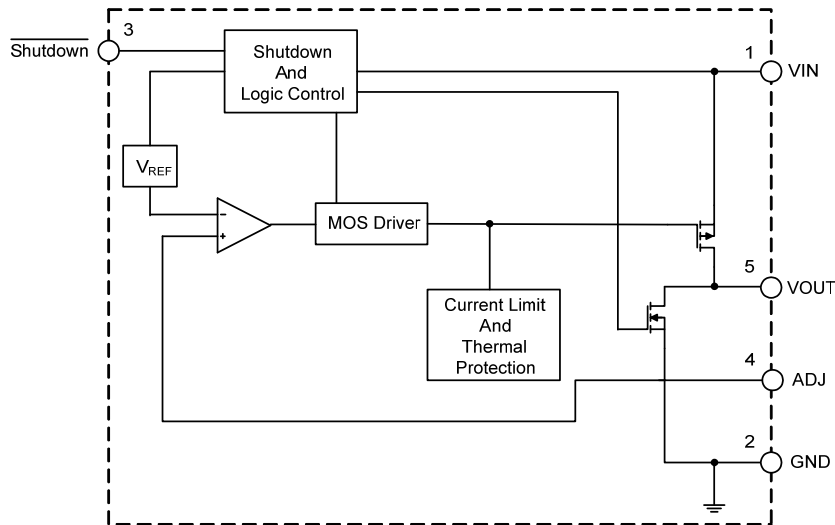
Pin Descriptions

Pin Name	Pin Number				Function
	SOT23 SOT23-3	SOT23-5	SOT89	DFN-2-2-6	
VIN	3	1	2	3	Power Input
VOUT	2	5	3	4	Power Output
GND	1	2	1	2	Ground
ADJ		4		6	VOUT feedback input, connect resistor divider.
Shutdown		3		1	Enable Input.
PAD				PAD	Exposed PAD for thermal performance improvement connect to GND

Functional Block Diagram



Fixed Version (SOT-23-5 Package)



Adjustable Version (SOT-23-5 Package)

Absolute Maximum Ratings (Note 4) (@T_A = +25°C, unless otherwise specified.)

Parameter	Symbol	Value	Unit
Input Voltage	V _{IN}	6.5	V
Shutdown Input Voltage	V _{CE}	-0.3 to V _{IN} +0.3	V
Output Current	I _{OUT}	450	mA
Junction Temperature	T _J	+150	°C
Storage Temperature Range	T _{STG}	-65 to +150	°C
Lead Temperature (Soldering, 10sec)	T _{LEAD}	+260	°C
Thermal Resistance (Junction to Ambient)	θ _{JA}	SOT-23	180
		SOT-23-3	250
		SOT-23-5	250
		SOT-89	100
		DFN-2X2-6	85
ESD (Human Body Model)	ESD	6000	V
ESD (Machine Model)	ESD	200	V

Note: 4. Stresses greater than those listed under "Absolute Maximum Ratings" may cause permanent damage to the device. These are stress ratings only, and functional operation of the device at these or any other conditions beyond those indicated under "Recommended Operating Conditions" is not implied. Exposure to "Absolute Maximum Ratings" for extended periods may affect device reliability.

Recommended Operating Conditions (@T_A = +25°C, unless otherwise specified.)

Parameter	Symbol	Min	Max	Unit
Input Voltage	V _{IN}	2.5	6	V
Operating Ambient Temperature Range	T _A	-40	+85	°C

Electrical Characteristics (V_{IN} = 2.5V (for 0.8V to 1.8V voltage versions), V_{IN} = V_{OUT} +1V (for 2.5V to 4.75V voltage versions), V_{IN} = 6V @ V_{OUT} = 5.2V, T_A = +25°C, C_{IN} = 1μF, C_{OUT} = 1μF, **Bold** typeface applies over -40°C ≤ T_A ≤ +85°C unless otherwise specified.)

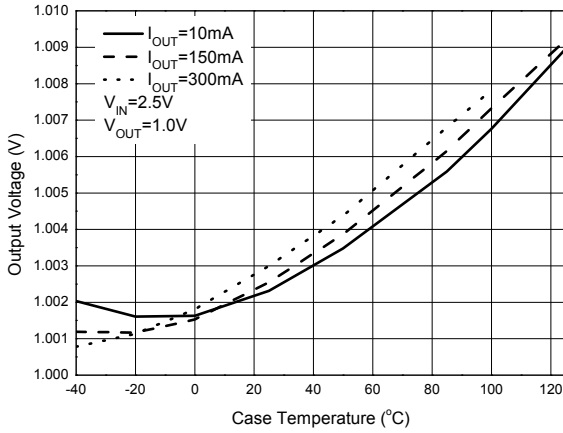
Parameter	Symbol	Conditions	Min	Typ	Max	Unit
Reference Voltage	V _{REF}	V _{IN} = V _{OUT} +1V 1mA ≤ I _{OUT} ≤ 300mA	0.784	0.8	0.816	V
Output Voltage	V _{OUT}	V _{IN} = V _{OUT} +1V 1mA ≤ I _{OUT} ≤ 300mA	98% x V _{OUT}	—	102% x V _{OUT}	V
Input Voltage	V _{IN}	—	2.5	—	6	V
Maximum Output Current	I _{OUT(MAX)}	V _{IN} - V _{OUT} = 1V V _{OUT} = 0.98 x V _{OUT}	300	400	—	mA
Load Regulation	ΔV _{OUT}	V _{IN} - V _{OUT} = 1V 1mA ≤ I _{OUT} ≤ 300mA	—	4	10	mV
Line Regulation	ΔV _{OUT}	V _{OUT} + 0.5V ≤ V _{IN} ≤ 6V I _{OUT} = 30mA	—	0.5	5	mV
Dropout Voltage	V _{DROP}	V _{OUT} = 1.0V, I _{OUT} = 300mA	—	1400	1500	mV
		V _{OUT} = 1.2V, I _{OUT} = 300mA	—	1200	1300	
		V _{OUT} = 1.5V, I _{OUT} = 300mA	—	900	1000	
		V _{OUT} = 1.8V, I _{OUT} = 300mA	—	600	700	
		V _{OUT} = 2.5V, 2.8V, 3.0V, 3.3V, 4.2V, I _{OUT} = 300mA	—	170	300	
		V _{OUT} = 4.75 and 5.2V, I _{OUT} = 300mA	—	140	300	
Quiescent Current	I _Q	V _{IN} = V _{OUT} +1V, I _{OUT} = 0mA	—	60	90	μA
Standby Current	I _{STD}	V _{IN} = V _{OUT} +1V V _{SHUTDOWN} in off mode	—	0.1	1.0	μA

Electrical Characteristics ($V_{IN} = 2.5V$ (for 0.8V to 1.8V voltage versions), $V_{IN} = V_{OUT} + 1V$ (for 2.5V to 4.75V voltage versions), $V_{IN} = 6V @ V_{OUT} = 5.2V$, $T_A = +25^\circ C$, $C_{IN} = 1\mu F$, $C_{OUT} = 1\mu F$, **Bold** typeface applies over $-40^\circ C \leq T_A \leq +85^\circ C$ unless otherwise specified.)

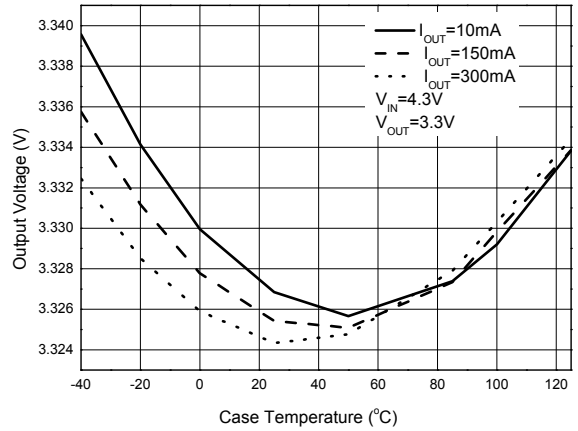
Parameter	Symbol	Conditions	Min	Typ	Max	Unit	
Power Supply Rejection Ration	PSRR	AP2127-1.0V to 4.2V, Ripple 1V _{P-P} $V_{IN} = V_{OUT} + 1V$	f = 100Hz	—	68	—	dB
			f = 1kHz	—	68	—	dB
			f = 10kHz	—	54	—	dB
		AP2127-4.75V and 5.2V, Ripple 0.5V _{P-P} $V_{IN} = V_{OUT} + 1V$	f = 100Hz	—	63	—	dB
			f = 1kHz	—	63	—	dB
			f = 10kHz	—	45	—	dB
Output Voltage Temperature Coefficient	$\Delta V_{OUT}/V_{OUT} / \Delta T$	$I_{OUT} = 30mA$, $-40^\circ C \leq T_A \leq +85^\circ C$	—	±100	—	ppm/ $^\circ C$	
Short Current Limit	I_{SHORT}	$V_{OUT} = 0V$	—	50	—	mA	
Soft Start Time	t_{SS}	—	—	50	—	μs	
RMS Output Noise	V_{NOISE}	$T_A = +25^\circ C$, $10Hz \leq f \leq 100kHz$, $V_{OUT} = 0.8V$	—	60	—	μV_{RMS}	
Shutdown High Voltage	—	Shutdown Input Voltage High	1.5	—	—	V	
Shutdown Low Voltage	—	Shutdown Input Voltage Low	0	—	—	V	
V_{OUT} Discharge MOSFET $R_{DS(ON)}$	—	Shutdown Input Voltage Low	—	60	—	Ω	
Shutdown Pull Down Resistance	—	—	—	3	—	M Ω	
Thermal Shutdown	—	—	—	+165	—	$^\circ C$	
Thermal Shutdown Hysteresis	—	—	—	+30	—		
Thermal Resistance	θ_{JC}	SOT-23	—	100	—	$^\circ C/W$	
		SOT-23-3	—	150	—		
		SOT-23-5	—	150	—		
		SOT-89	—	75	—		
		DFN-2x2-6	—	60	—		

Performance Characteristics

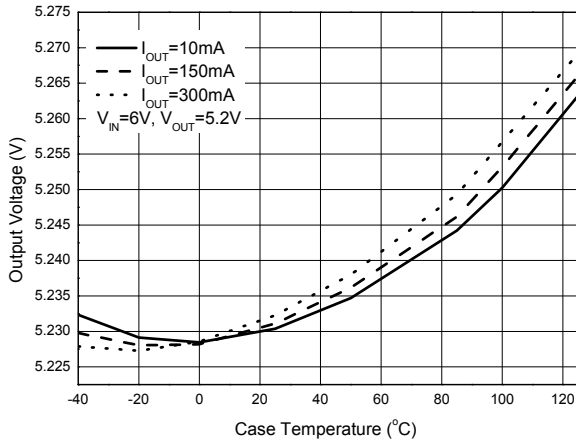
Output Voltage vs. Case Temperature



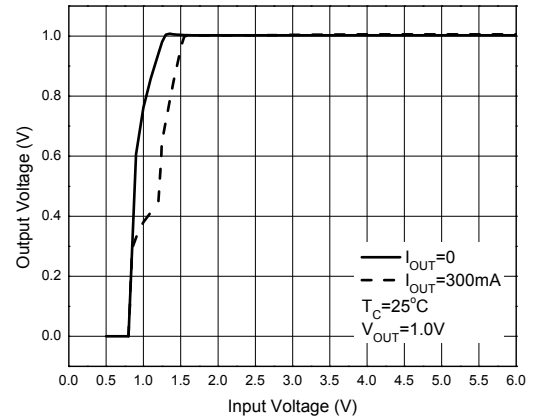
Output Voltage vs. Case Temperature



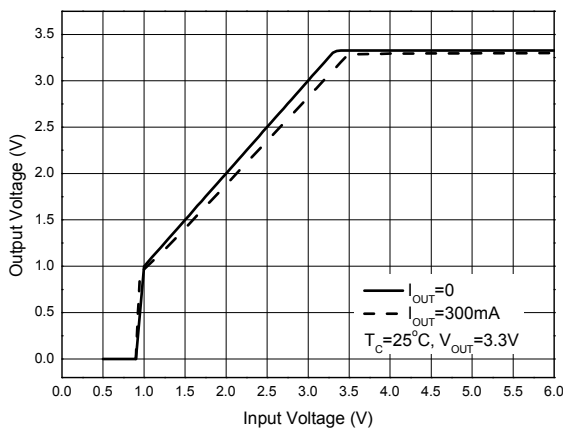
Output Voltage vs. Case Temperature



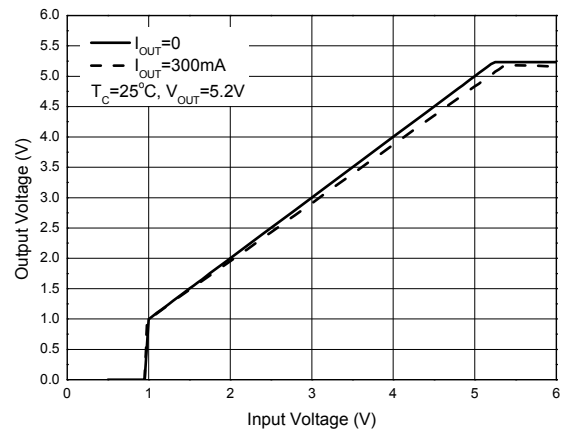
Output Voltage vs. Input Voltage



Output Voltage vs. Input Voltage

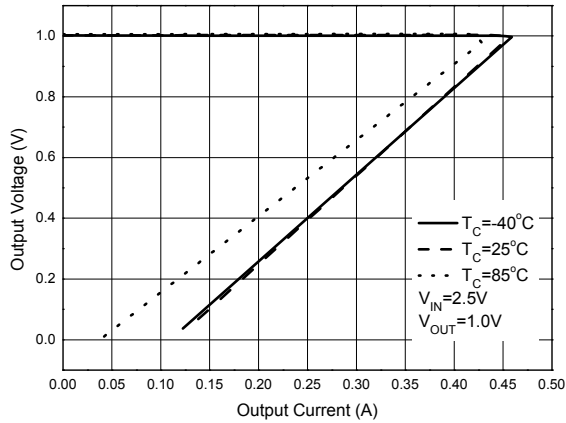


Output Voltage vs. Input Voltage

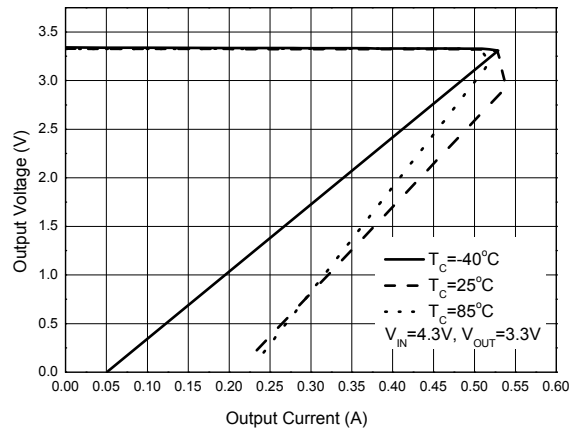


Performance Characteristics (cont.)

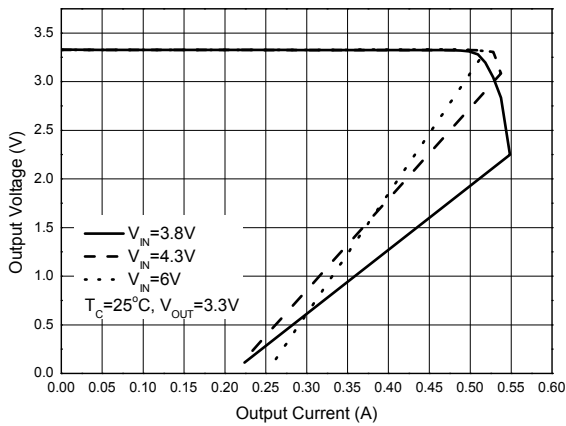
Output Voltage vs. Output Current



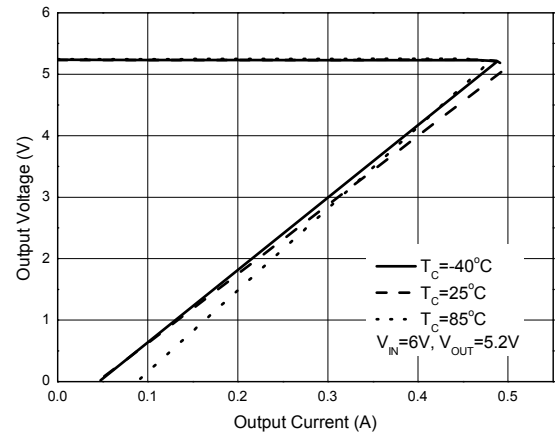
Output Voltage vs. Output Current



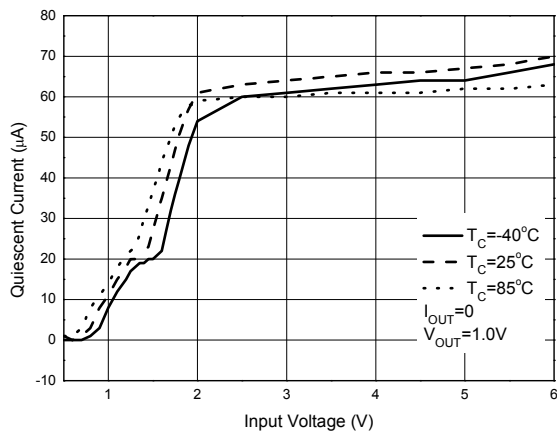
Output Voltage vs. Output Current



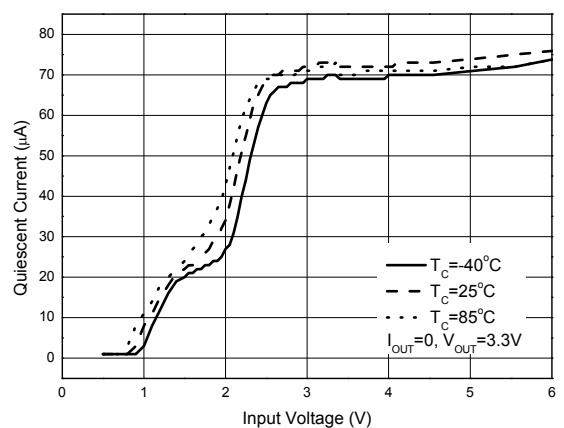
Output Voltage vs. Output Current



Quiescent Current vs. Input Voltage

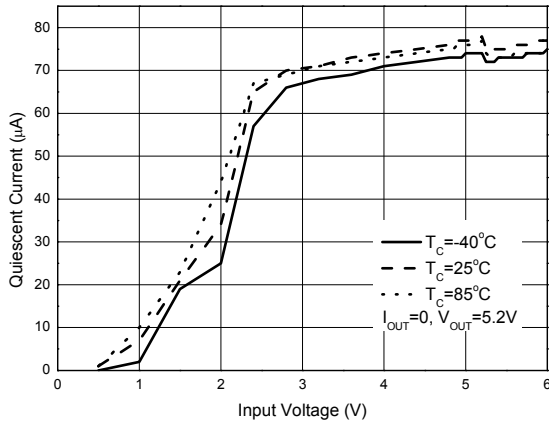


Quiescent Current vs. Input Voltage

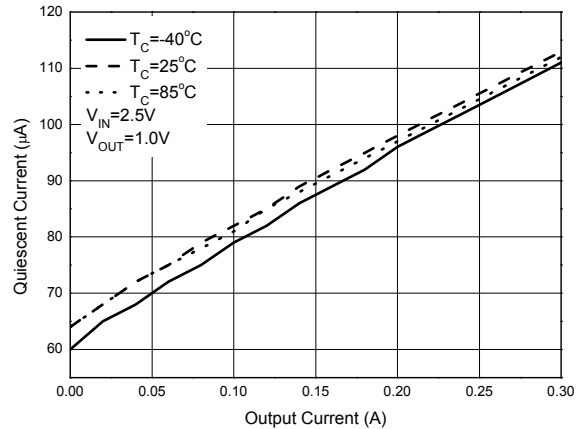


Performance Characteristics (cont.)

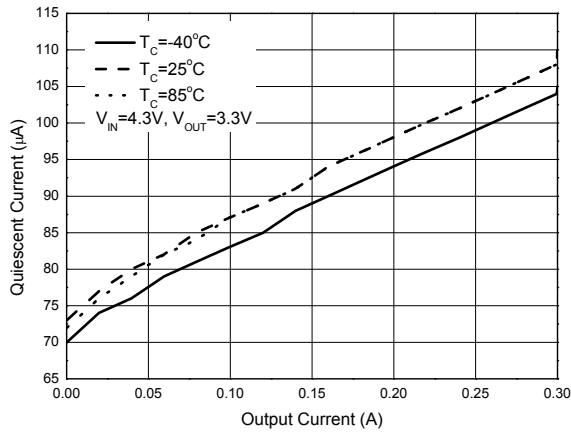
Quiescent Current vs. Input Voltage



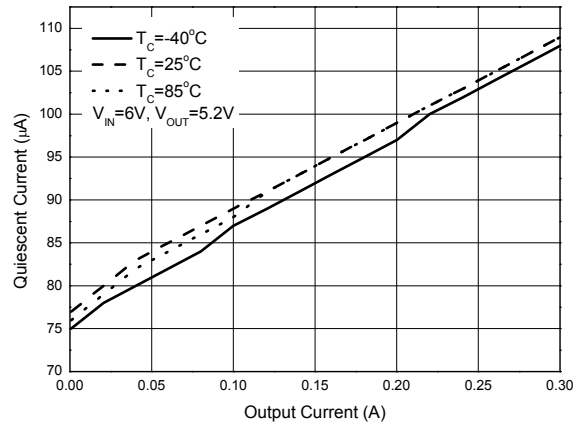
Quiescent Current vs. Output Current



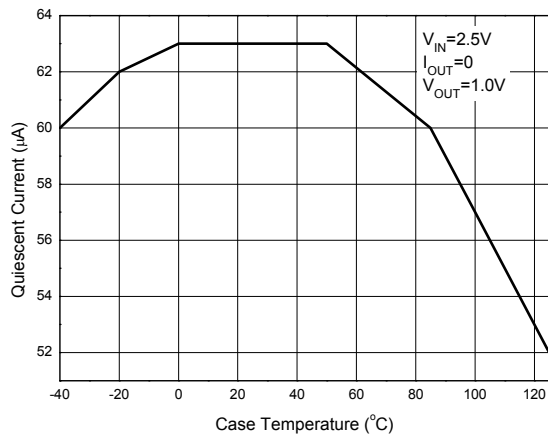
Quiescent Current vs. Output Current



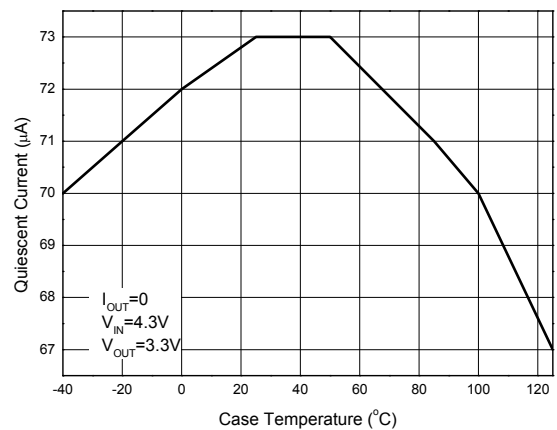
Quiescent Current vs. Output Current



Quiescent Current vs. Case Temperature

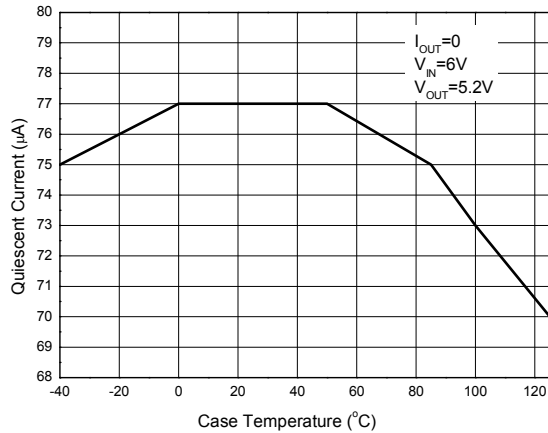


Quiescent Current vs. Case Temperature

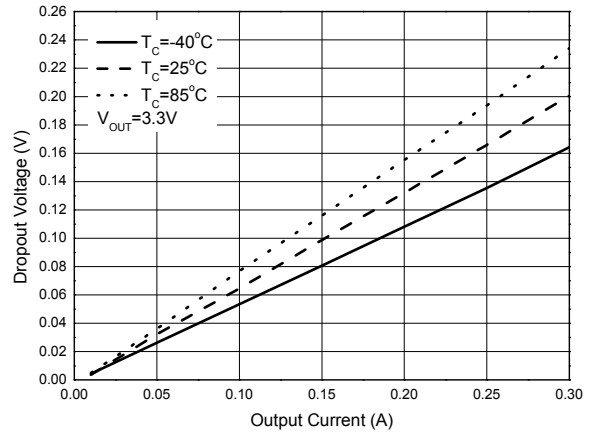


Performance Characteristics (cont.)

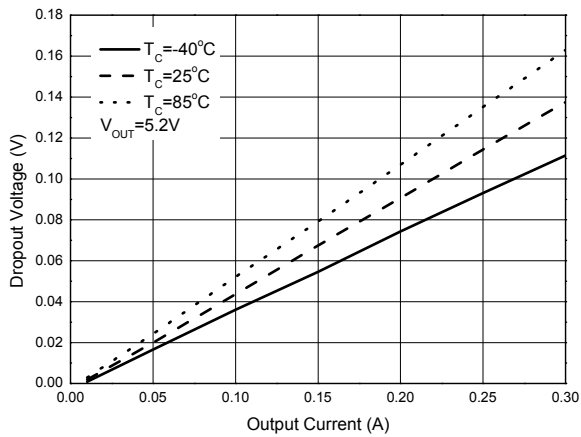
Quiescent Current vs. Case Temperature



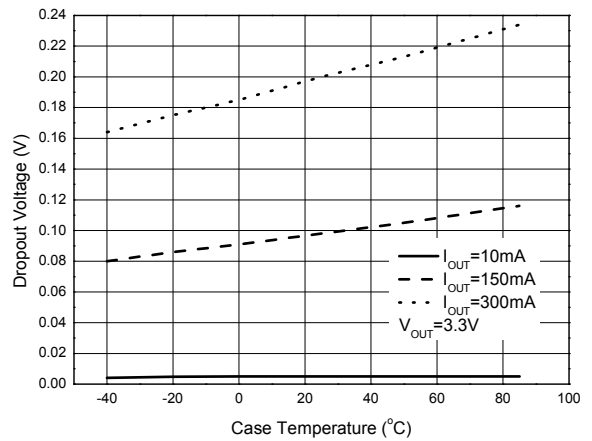
Dropout Voltage vs. Output Current



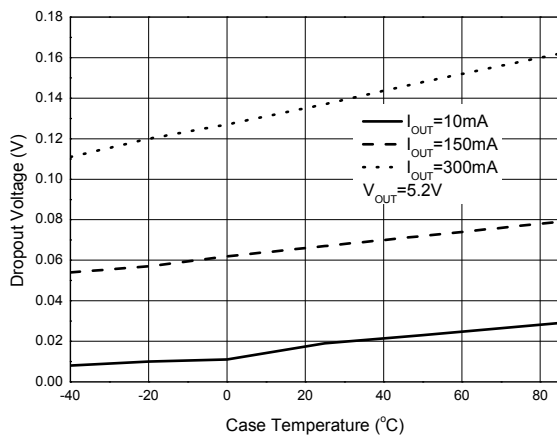
Dropout Voltage vs. Output Current



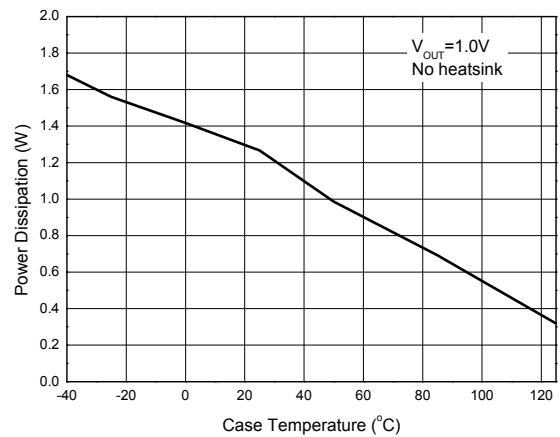
Dropout Voltage vs. Case Temperature



Dropout Voltage vs. Case Temperature

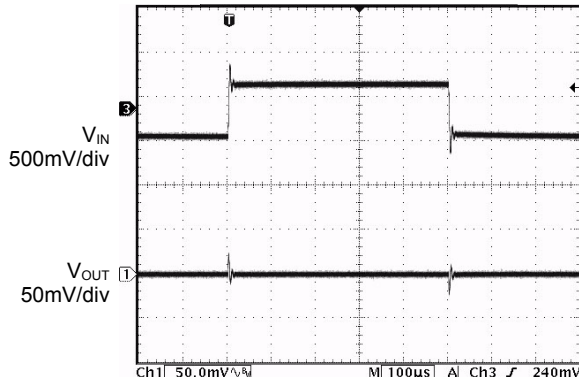


Power Dissipation vs. Case Temperature

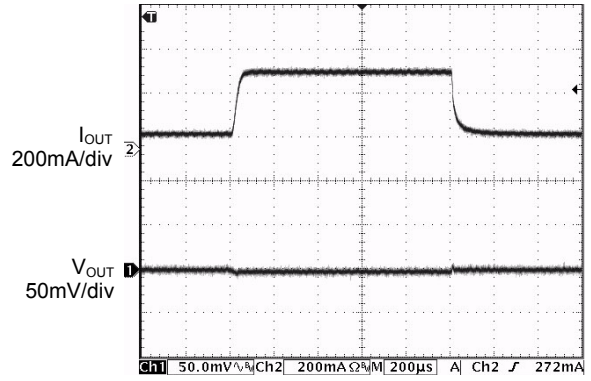


Performance Characteristics (cont.)

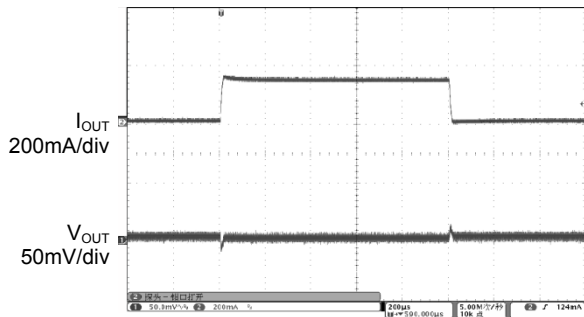
Line Transient
(Condition: $C_{IN}=C_{OUT}=1\mu F$, $I_{OUT}=10mA$,
 $V_{IN}=2.5V$ to $3.3V$, $V_{OUT}=1V$)



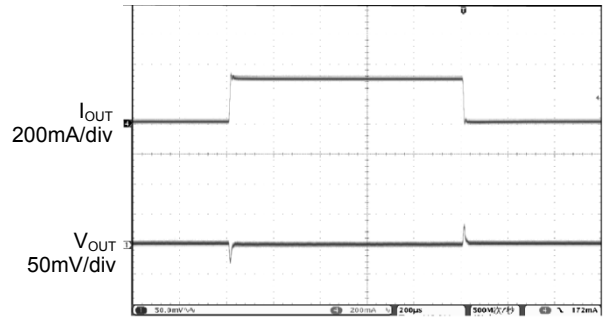
Load Transient
(Condition: $C_{IN}=C_{OUT}=1\mu F$, Slew Rate= $20mA/\mu s$,
 $V_{IN}=2.5V$, $V_{OUT}=1V$, $I_{OUT}=10mA$ to $300mA$)



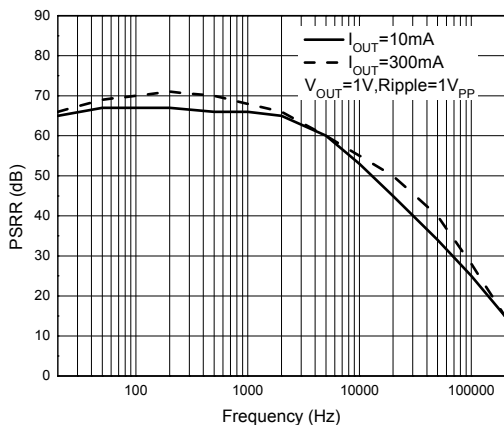
Load Transient
(Condition: $C_{IN}=C_{OUT}=1\mu F$, $I_{OUT}=10mA$ to $300mA$,
 $V_{IN}=4.3V$, $V_{OUT}=3.3V$)



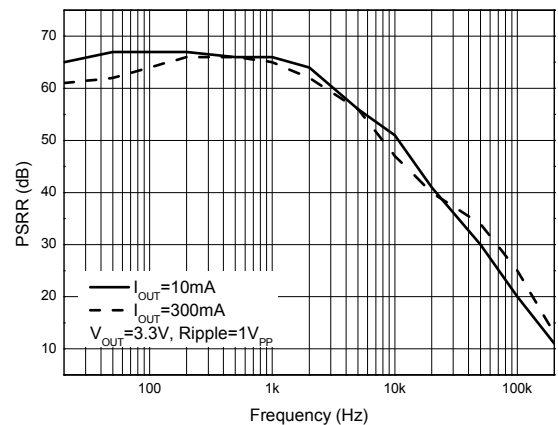
Load Transient
(Condition: $C_{IN}=C_{OUT}=1\mu F$, Slew Rate= $20mA/\mu s$,
 $V_{IN}=6V$, $V_{OUT}=5.2V$, $I_{OUT}=10mA$ to $300mA$)



PSRR vs. Frequency
(Condition: $C_{IN}=C_{OUT}=1\mu F$, $V_{IN}=2.5V$, $V_{OUT}=1V$
Ripple= $1V_{PP}$)

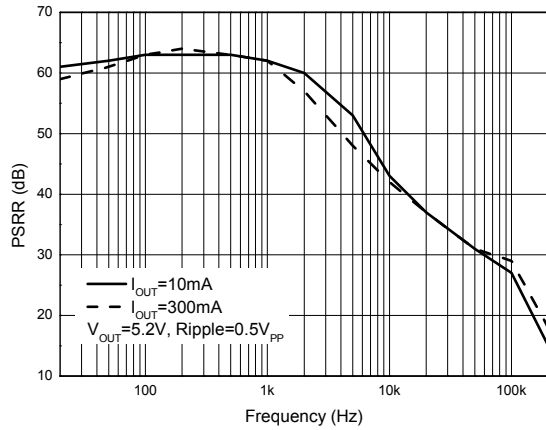


PSRR vs. Frequency
(Condition: $C_{IN}=C_{OUT}=1\mu F$, $V_{IN}=4.3V$, $V_{OUT}=3.3V$,
Ripple= $1V_{PP}$)

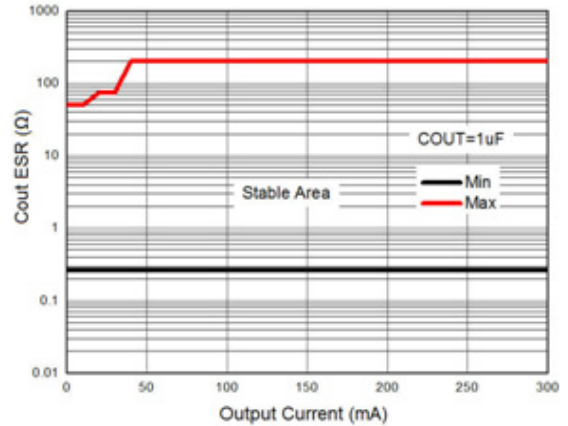


Performance Characteristics (Cont.)

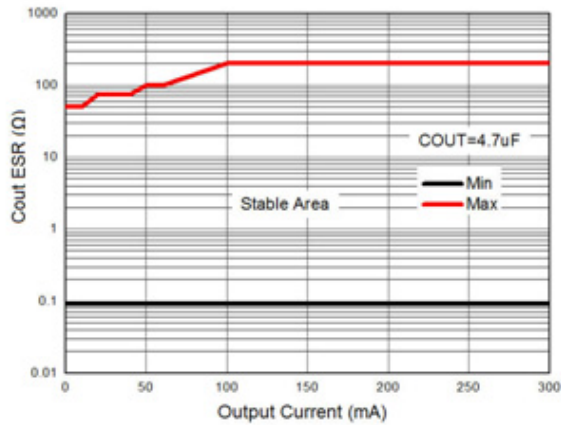
PSRR vs. Frequency
(Condition: $C_{IN}=C_{OUT}=1\mu F$, $V_{IN}=6V$, $V_{OUT}=5.2V$,
Ripple=0.5V_{PP})



Region of Stable C_{OUT} ESR vs. Output Current (C_{OUT} = 1μF)



Region of Stable C_{OUT} ESR vs. Output Current (C_{OUT} = 4.7μF)



Application Notes

Input Capacitor

A 1µF ceramic capacitor is recommended to connect between V_{IN} and GND pins to decouple input power supply glitch and noise. The amount of the capacitance may be increased without limit. This input capacitor must be located as close as possible to the device to assure input stability and less noise. For PCB layout, a wide copper trace is required for both V_{IN} and GND.

Output Capacitor

The output capacitor is required to stabilize and help transient response for LDO. The AP2127 is stable with very small ceramic output capacitor with a low ESR 1µF or higher of X7R or X5R MLCC capacitor, which will be sufficient at full temperature ranges. Additional capacitance helps to reduce undershoot and overshoot during transient. Place output capacitor as close as possible to V_{OUT} and GND pins, and keep the leads as short as possible.

Adjustable Operation

For adjustable version, the output voltage is calculated by:

$$V_{OUT} = V_{REF} \left(1 + \frac{R_1}{R_2} \right)$$

Where V_{REF} = 0.8V (the internal reference voltage)

Rearranging the equation will give the following that is used for adjusting the output to a particular voltage:

$$R_1 = R_2 \left(\frac{V_{OUT}}{V_{REF}} - 1 \right)$$

For AP2127, the resistor at the low side (R₂) can be selected from 5kΩ to 200kΩ.

In order to improve the stability and to decrease the noise level of the adjustable version, a feed-forward capacitor is suggested to be placed between V_{OUT} and ADJ pins (Figure 1). It's recommended that this feed-forward capacitor value can be calculated as:

$$0.7\text{kHz} \leq \frac{1}{2\pi \times R_1 \times C_{ff}} \leq 15\text{kHz}$$

The recommended value of the feed-forward capacitor for different resistor divider ratios is shown in the table below.

Output Voltage	R1	R2	C _{ff}
1.2V	7.5kΩ	15kΩ	2.7nF
1.6V	7.5kΩ	7.5kΩ	2.7nF
1.8V	22.5kΩ	18kΩ	1nF
1.9V	7.5kΩ	5.49kΩ	2.7nF
2.5V	38.3kΩ	18kΩ	560pF
3.3V	56.2kΩ	18kΩ	390pF
4.0V	120kΩ	30.1kΩ	180pF

Table 1 Output Voltage Setting Guide

Application Notes (cont.)

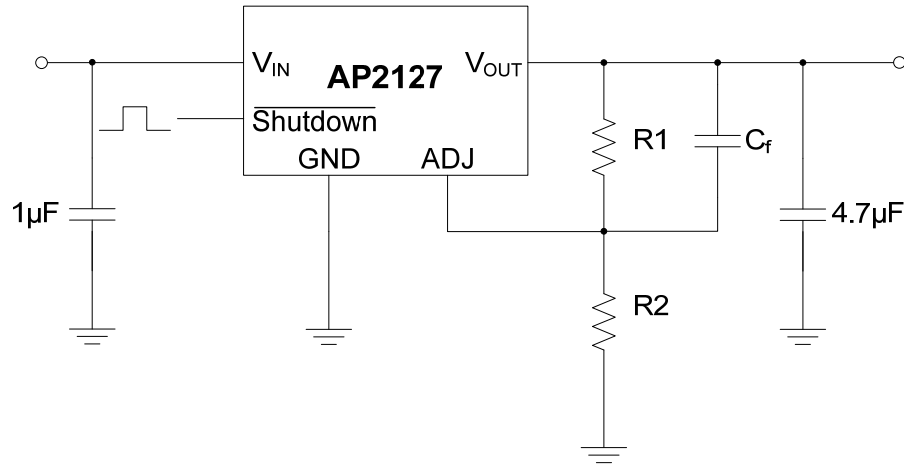


Figure 1. Application Circuit with Feed-forward Capacitor

Current Limit Protection

When output current at V_{OUT} pin is higher than current limit threshold, the current limit protection will be triggered and clamp the output current to prevent over-current and to protect the regulator and load from damaged due to overheating.

Short Circuit Protection

When V_{OUT} pin is shorted to GND, short circuit protection will be triggered and clamp the output current to approximately 50mA.

Auto discharge with Shutdown Version

For shutdown version, an auto discharge MOSFET with R_{DS(ON)} of 60Ω typical is integrated between V_{OUT} and GND pins, which can discharge the charge of the output capacitors quickly when turning off AP2127 with Shutdown pin.

Thermal Consideration

Internal thermal protection circuitry of AP2127 is used to protect device during overload conditions. For continuous operation, ensure not to exceed the operating junction temperature range of +125°C.

The power dissipation definition in the device is:

$$P_D = (V_{IN} - V_{OUT}) \times I_{OUT} + V_{IN} \times I_Q$$

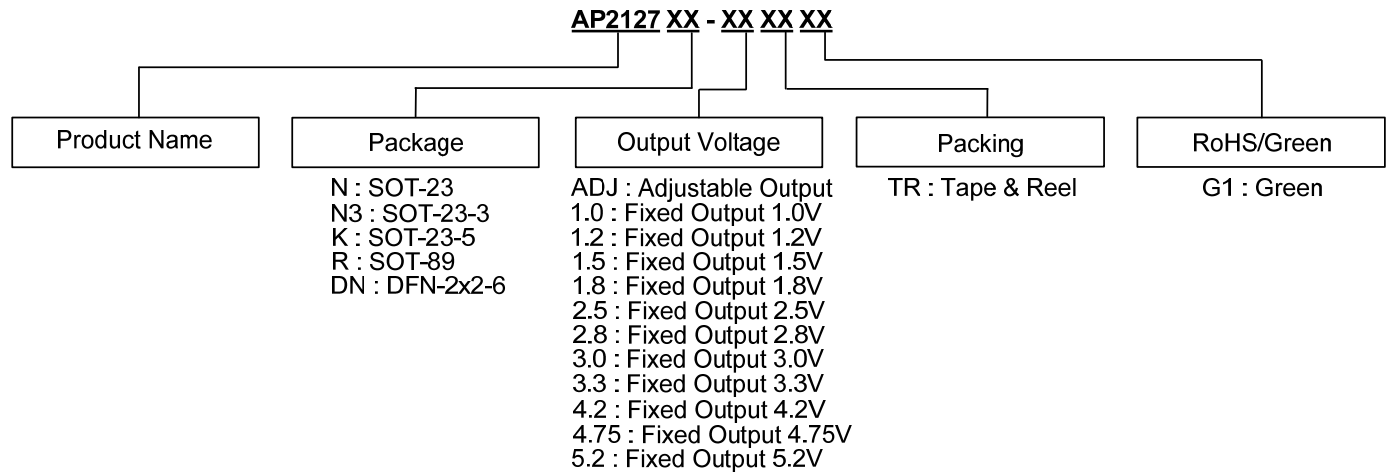
The maximum power dissipation depends on the thermal resistance of IC package, PCB layout and the surrounding airflow. The maximum power dissipation can also be calculated as:

$$P_{D(MAX)} = (T_{J(MAX)} - T_A) / \theta_{JA}$$

The maximum power dissipation for SOT-23-5 package (least copper size) at T_A = +25°C can be calculated as:

$$P_{D(MAX)} = (125^\circ\text{C} - 25^\circ\text{C}) / (250^\circ\text{C/W}) = 0.4\text{W}$$

Ordering Information



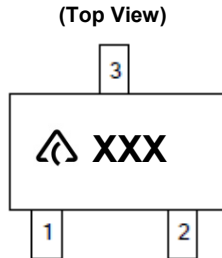
Part Number	Marking ID	Temperature Range	Package	Package
AP2127N-1.0TRG1	GU8	-40°C to +85°C	SOT-23	3000/Tape & Reel
AP2127N-1.2TRG1	GS8			3000/Tape & Reel
AP2127N-1.5TRG1	GV8			3000/Tape & Reel
AP2127N-1.8TRG1	GW8			3000/Tape & Reel
AP2127N-2.5TRG1	GT9			3000/Tape & Reel
AP2127N-2.8TRG1	GU9			3000/Tape & Reel
AP2127N-3.0TRG1	GV9			3000/Tape & Reel
AP2127N-3.3TRG1	GW9			3000/Tape & Reel
AP2127N-4.2TRG1	GS9			3000/Tape & Reel
AP2127N-4.75TRG1	GV7			3000/Tape & Reel
AP2127N-5.2TRG1	GW7			3000/Tape & Reel
AP2127N3-1.0TRG1	GU1			SOT-23-3
AP2127N3-1.2TRG1	GU2		3000/Tape & Reel	
AP2127N3-1.5TRG1	GU3		3000/Tape & Reel	
AP2127N3-1.8TRG1	GU4		3000/Tape & Reel	
AP2127N3-2.5TRG1	GU5		3000/Tape & Reel	
AP2127N3-2.8TRG1	GV1		3000/Tape & Reel	
AP2127N3-3.0TRG1	GV2		3000/Tape & Reel	
AP2127N3-3.3TRG1	GV3		3000/Tape & Reel	
AP2127N3-4.2TRG1	GV4		3000/Tape & Reel	
AP2127N3-4.75TRG1	GV5		3000/Tape & Reel	
AP2127N3-5.2TRG1	GW1		3000/Tape & Reel	
AP2127K-ADJTRG1	GEH		SOT-23-5	
AP2127K-1.0TRG1	GEG			3000/Tape & Reel
AP2127K-1.5TRG1	GEP			3000/Tape & Reel
AP2127K-1.8TRG1	GEQ			3000/Tape & Reel
AP2127K-2.5TRG1	GER			3000/Tape & Reel
AP2127K-2.8TRG1	GES			3000/Tape & Reel
AP2127K-3.0TRG1	GHF			3000/Tape & Reel
AP2127K-3.3TRG1	GET			3000/Tape & Reel
AP2127K-4.2TRG1	GEU	3000/Tape & Reel		
AP2127K-4.75TRG1	GEZ	3000/Tape & Reel		
AP2127K-5.2TRG1	GEW	3000/Tape & Reel		


Ordering Information (cont.)

Part Number	Marking ID	Temperature Range	Package	Package	
AP2127R-1.0TRG1	G22P	-40°C to +85°C	SOT-89	1000/Tape & Reel	
AP2127R-1.2TRG1	G27P			1000/Tape & Reel	
AP2127R-1.5TRG1	G28P			1000/Tape & Reel	
AP2127R-1.8TRG1	G31P			1000/Tape & Reel	
AP2127R-2.5TRG1	G33P			1000/Tape & Reel	
AP2127R-2.8TRG1	G37P			1000/Tape & Reel	
AP2127R-3.0TRG1	G41P			1000/Tape & Reel	
AP2127R-3.3TRG1	G42P			1000/Tape & Reel	
AP2127R-4.2TRG1	G43P			1000/Tape & Reel	
AP2127R-4.75TRG1	G70P			1000/Tape & Reel	
AP2127R-5.2TRG1	G78P			1000/Tape & Reel	
AP2127DN-ADJTRG1	BV			DFN-2x2-6	3000/Tape & Reel
AP2127DN-1.0TRG1	CA				3000/Tape & Reel
AP2127DN-1.2TRG1	CB				3000/Tape & Reel
AP2127DN-1.5TRG1	CC		3000/Tape & Reel		
AP2127DN-1.8TRG1	CD		3000/Tape & Reel		
AP2127DN-2.5TRG1	BP		3000/Tape & Reel		
AP2127DN-2.8TRG1	BS		3000/Tape & Reel		
AP2127DN-3.0TRG1	BU		3000/Tape & Reel		
AP2127DN-3.3TRG1	CE		3000/Tape & Reel		
AP2127DN-4.2TRG1	CF		3000/Tape & Reel		
AP2127DN-4.75TRG1	CG		3000/Tape & Reel		
AP2127DN-5.2TRG1	CH		3000/Tape & Reel		

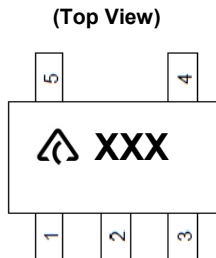
Marking Information


(1) SOT-23, SOT-23-3



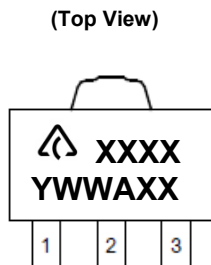
 : Logo
XXX: Marking ID (See Ordering Information)

(2) SOT-23-5



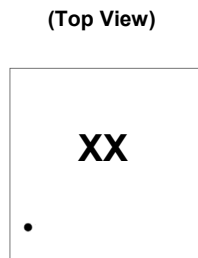
 : Logo
XXX: Marking ID (See Ordering Information)

(3) SOT-89



First Line: Logo and Marking ID (See Ordering Information)
Second Line: Date Code
Y: Year
WW: Work Week of Molding
A: Assembly House Code
XX: 7th and 8th Digits of Batch Number

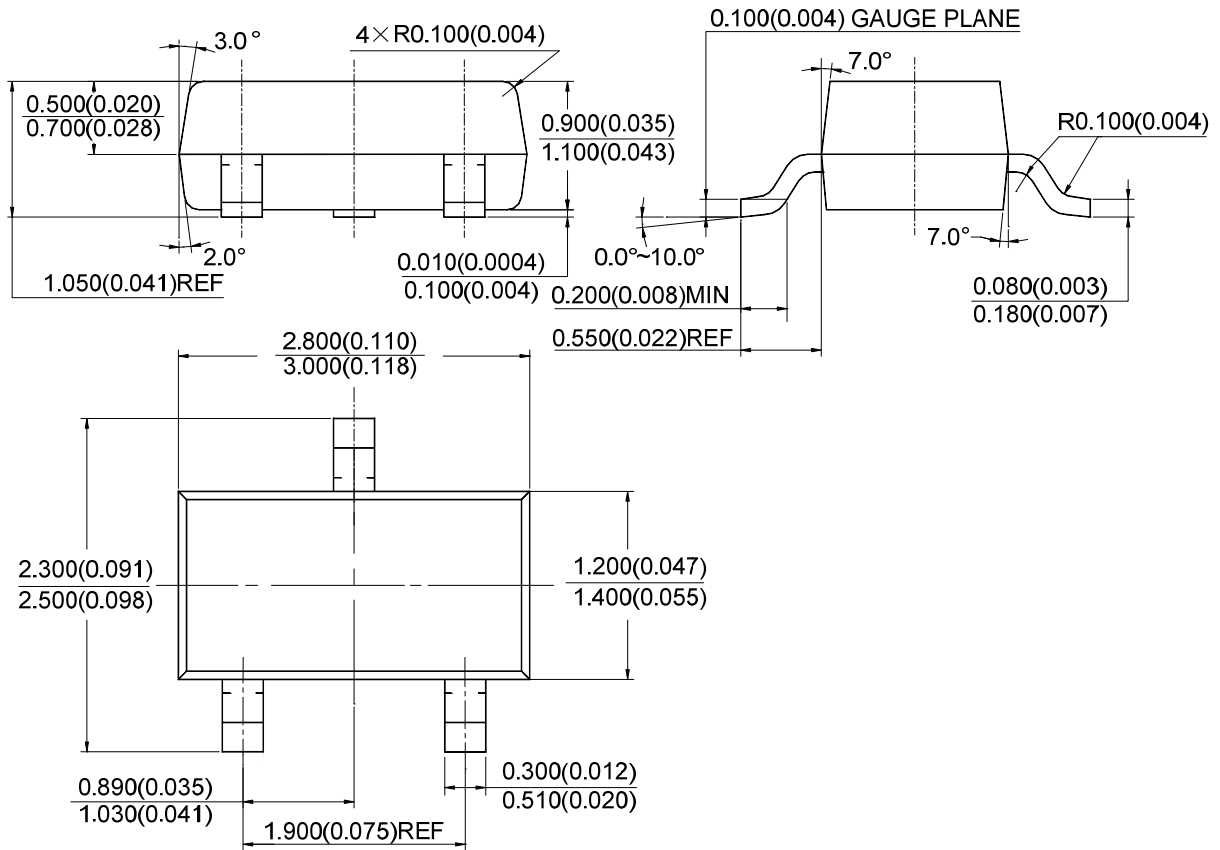
(4) DFN-2x2-6



XX: Marking ID (See Ordering Information)

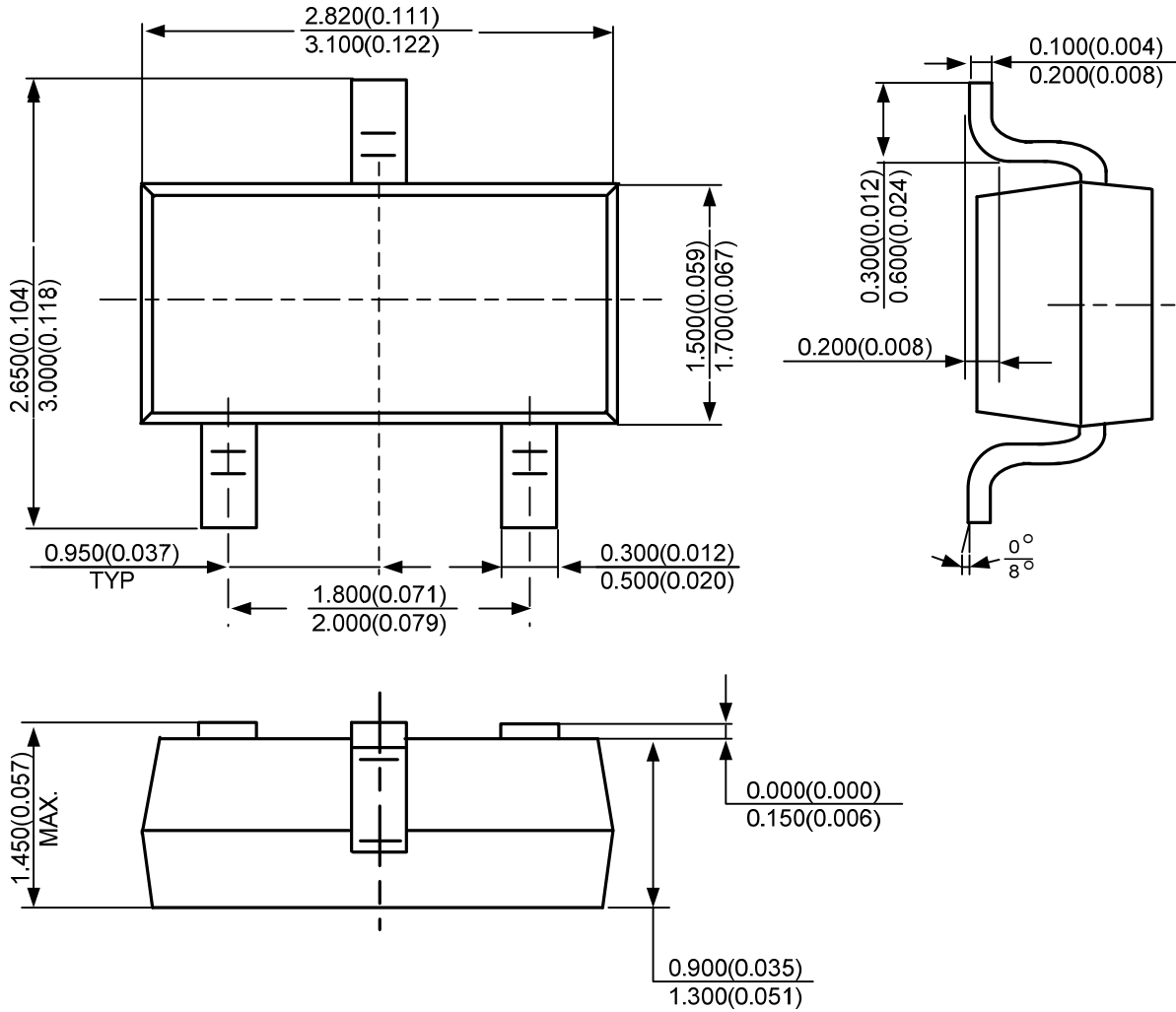
Package Outline Dimensions (All dimensions in mm.)

(1) Package Type: SOT-23



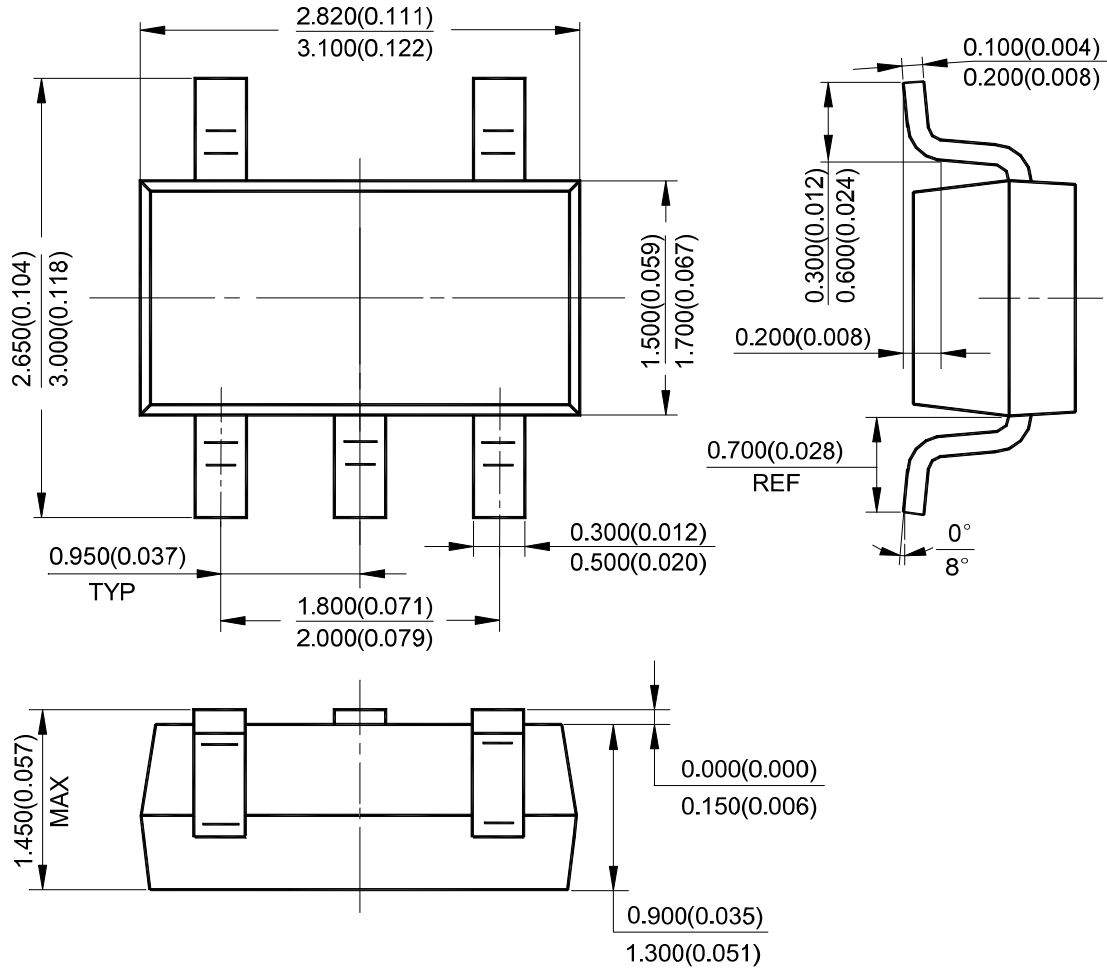
Package Outline Dimensions (cont.) (All dimensions in mm.)

(2) Package Type: SOT-23-3



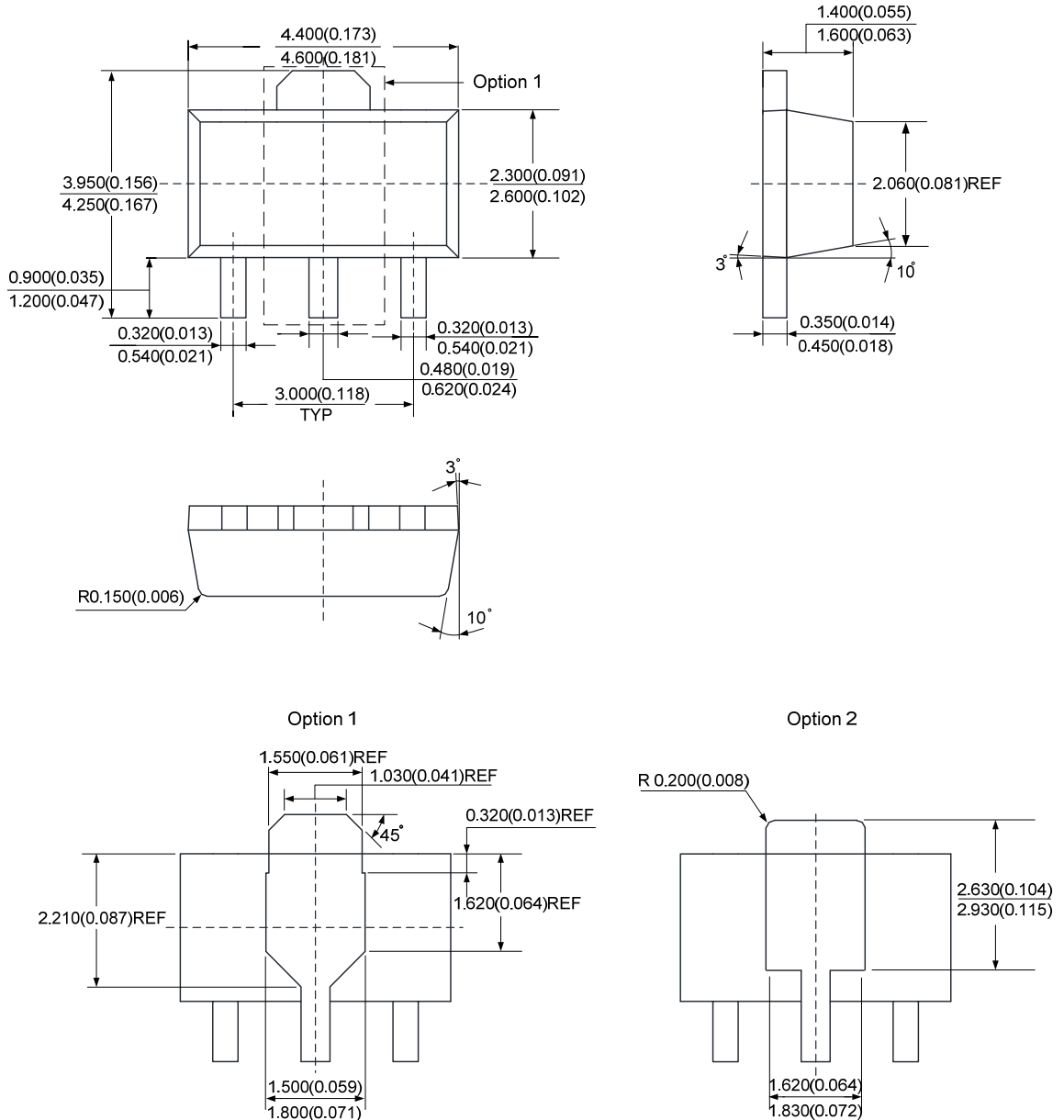
Package Outline Dimensions (cont.) (All dimensions in mm.)

(3) Package Type: SOT-23-5



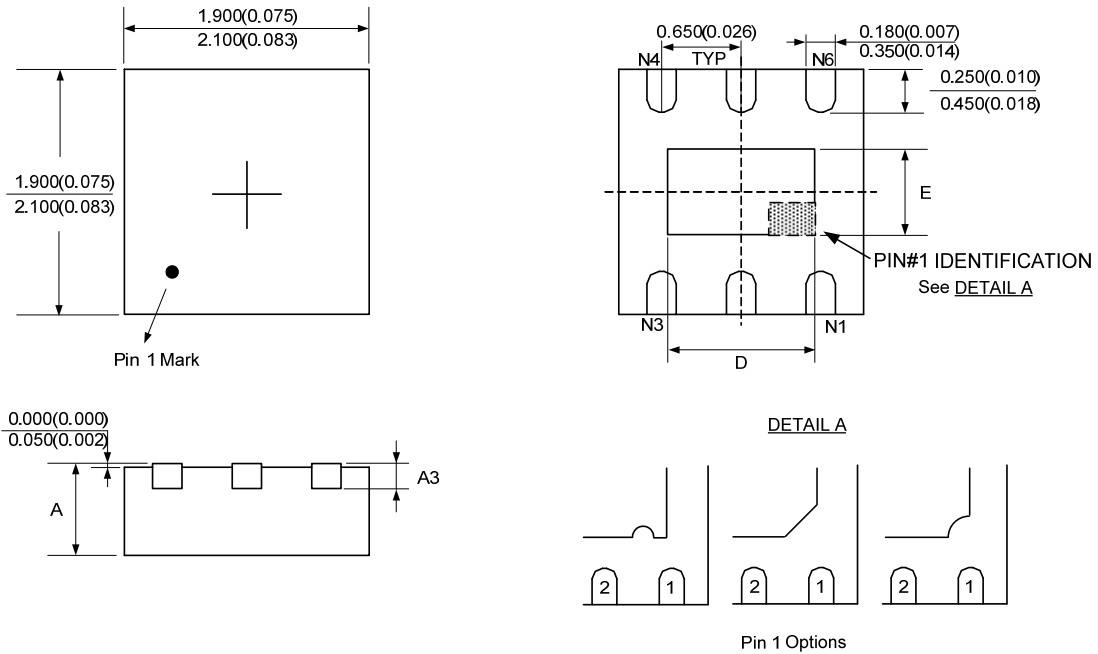
Package Outline Dimensions (cont.) (All dimensions in mm.)

(4) Package Type: SOT-89



Package Outline Dimensions (cont.) (All dimensions in mm.)

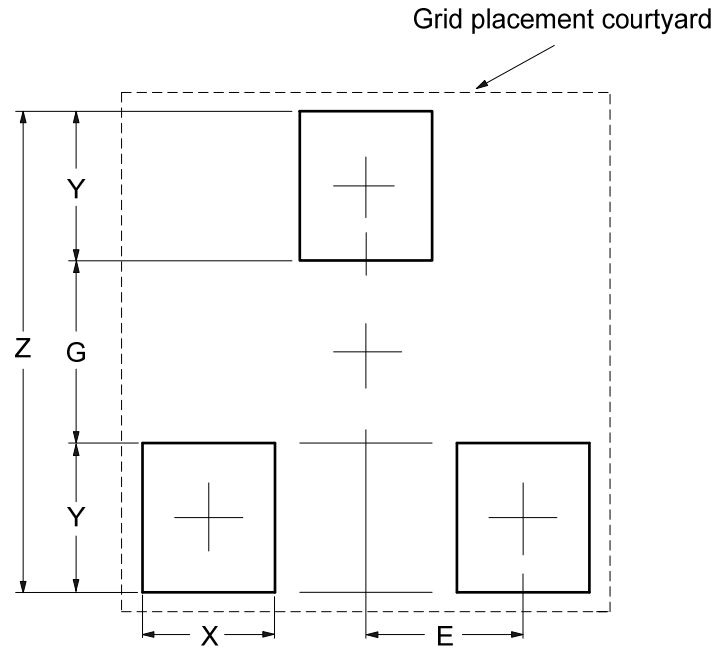
(5) Package Type: DFN-2x2-6



Symbol	D				E			
	min(mm)	max(mm)	min(inch)	max(inch)	min(mm)	max(mm)	min(inch)	max(inch)
Option1	1.200 (TYP)		0.047 (TYP)		0.700 (TYP)		0.028 (TYP)	
Option2	1.550	1.750	0.061	0.069	0.860	1.060	0.034	0.042
Symbol	A				A3			
	min(mm)	max(mm)	min(inch)	max(inch)	min(mm)	max(mm)	min(inch)	max(inch)
Option1	0.700	0.800	0.028	0.031	0.203 (TYP)		0.008 (TYP)	
Option2	0.570	0.630	0.022	0.025	0.150 (TYP)		0.006 (TYP)	

Suggested Pad Layout (All dimensions in mm.)

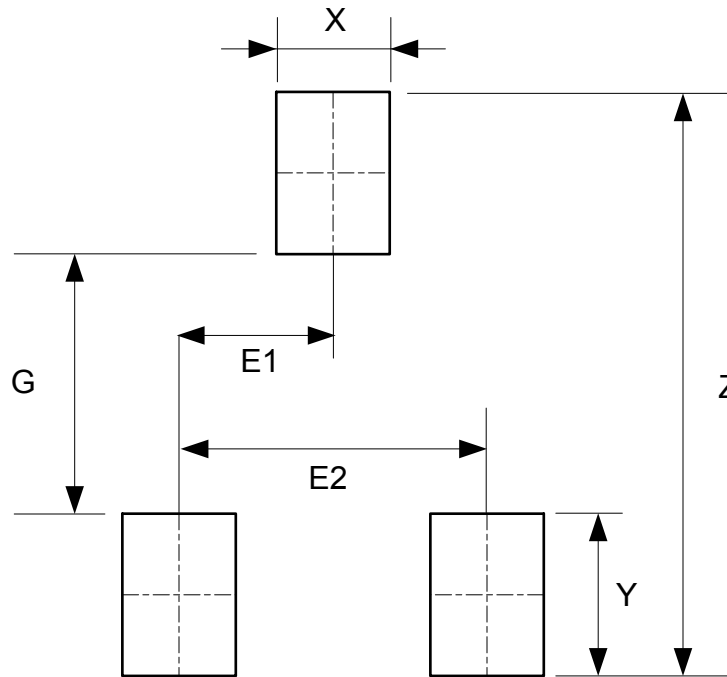
(1) Package Type: SOT-23



Dimensions	Z (mm)/(inch)	G (mm)/(inch)	X (mm)/(inch)	Y (mm)/(inch)	E (mm)/(inch)
Value	2.900/0.114	1.100/0.043	0.800/0.031	0.900/0.035	0.950/0.037

Suggested Pad Layout (cont.) (All dimensions in mm.)

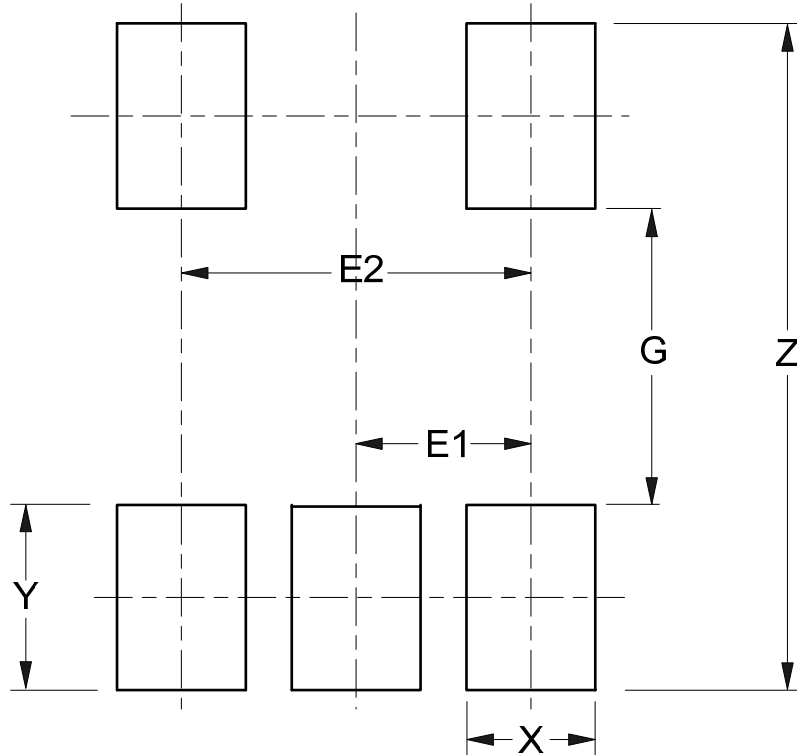
(2) Package Type: SOT-23-3



Dimensions	Z (mm)/(inch)	G (mm)/(inch)	X (mm)/(inch)	Y (mm)/(inch)	E1 (mm)/(inch)	E2 (mm)/(inch)
Value	3.600/0.142	1.600/0.063	0.700/0.028	1.000/0.039	0.950/0.037	1.900/0.075

Suggested Pad Layout (cont.) (All dimensions in mm.)

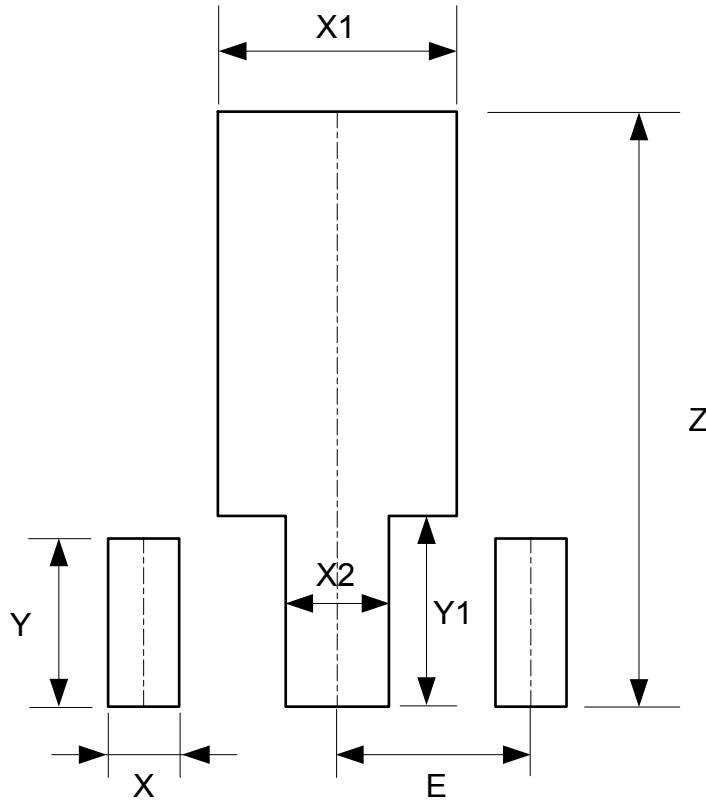
(3) Package Type: SOT-23-5



Dimensions	Z (mm)/(inch)	G (mm)/(inch)	X (mm)/(inch)	Y (mm)/(inch)	E1 (mm)/(inch)	E2 (mm)/(inch)
Value	3.600/0.142	1.600/0.063	0.700/0.028	1.000/0.039	0.950/0.037	1.900/0.075

Suggested Pad Layout (cont.) (All dimensions in mm.)

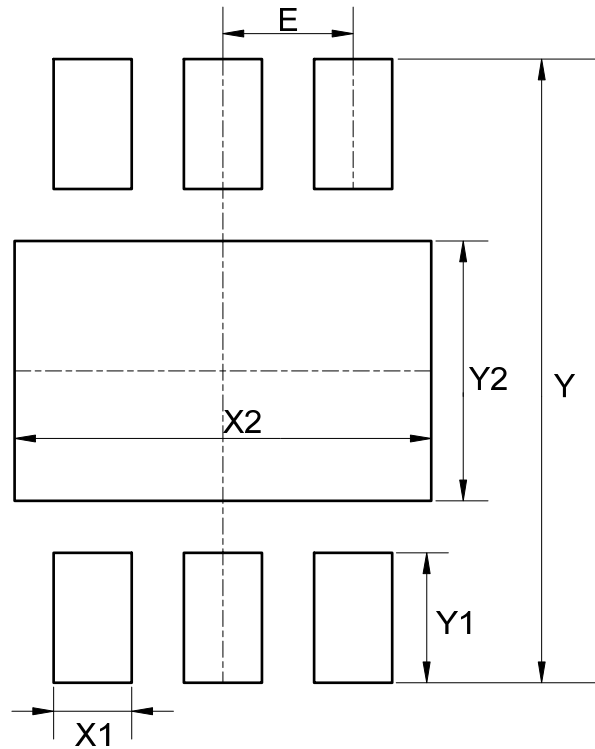
(4) Package Type: SOT-89



Dimensions	Z (mm)/(inch)	X (mm)/(inch)	X1 (mm)/(inch)	X2 (mm)/(inch)	Y (mm)/(inch)	Y1 (mm)/(inch)	E (mm)/(inch)
Value	4.600/0.181	0.550/0.022	1.850/0.073	0.800/0.031	1.300/0.051	1.475/0.058	1.500/0.059

Suggested Pad Layout (cont.) (All dimensions in mm.)

(5) Package Type: DFN-2x2-6



Dimensions	Y (mm)/(inch)	X1 (mm)/(inch)	Y1=E (mm)/(inch)	X2 (mm)/(inch)	Y2 (mm)/(inch)
Value	2.400/0.094	0.300/0.012	0.500/0.020	1.600/0.063	1.000/0.039

IMPORTANT NOTICE

DIODES INCORPORATED MAKES NO WARRANTY OF ANY KIND, EXPRESS OR IMPLIED, WITH REGARDS TO THIS DOCUMENT, INCLUDING, BUT NOT LIMITED TO, THE IMPLIED WARRANTIES OF MERCHANTABILITY AND FITNESS FOR A PARTICULAR PURPOSE (AND THEIR EQUIVALENTS UNDER THE LAWS OF ANY JURISDICTION).

Diodes Incorporated and its subsidiaries reserve the right to make modifications, enhancements, improvements, corrections or other changes without further notice to this document and any product described herein. Diodes Incorporated does not assume any liability arising out of the application or use of this document or any product described herein; neither does Diodes Incorporated convey any license under its patent or trademark rights, nor the rights of others. Any Customer or user of this document or products described herein in such applications shall assume all risks of such use and will agree to hold Diodes Incorporated and all the companies whose products are represented on Diodes Incorporated website, harmless against all damages.

Diodes Incorporated does not warrant or accept any liability whatsoever in respect of any products purchased through unauthorized sales channel. Should Customers purchase or use Diodes Incorporated products for any unintended or unauthorized application, Customers shall indemnify and hold Diodes Incorporated and its representatives harmless against all claims, damages, expenses, and attorney fees arising out of, directly or indirectly, any claim of personal injury or death associated with such unintended or unauthorized application.

Products described herein may be covered by one or more United States, international or foreign patents pending. Product names and markings noted herein may also be covered by one or more United States, international or foreign trademarks.

This document is written in English but may be translated into multiple languages for reference. Only the English version of this document is the final and determinative format released by Diodes Incorporated.

LIFE SUPPORT

Diodes Incorporated products are specifically not authorized for use as critical components in life support devices or systems without the express written approval of the Chief Executive Officer of Diodes Incorporated. As used herein:

A. Life support devices or systems are devices or systems which:

1. are intended to implant into the body, or
2. support or sustain life and whose failure to perform when properly used in accordance with instructions for use provided in the labeling can be reasonably expected to result in significant injury to the user.

B. A critical component is any component in a life support device or system whose failure to perform can be reasonably expected to cause the failure of the life support device or to affect its safety or effectiveness.

Customers represent that they have all necessary expertise in the safety and regulatory ramifications of their life support devices or systems, and acknowledge and agree that they are solely responsible for all legal, regulatory and safety-related requirements concerning their products and any use of Diodes Incorporated products in such safety-critical, life support devices or systems, notwithstanding any devices- or systems-related information or support that may be provided by Diodes Incorporated. Further, Customers must fully indemnify Diodes Incorporated and its representatives against any damages arising out of the use of Diodes Incorporated products in such safety-critical, life support devices or systems.

Copyright © 2014, Diodes Incorporated

www.diodes.com