

BD2-AK3X/GSTZ00 TAP-OFF UNIT 125A / 1X 3POLE FU SE SWITCH DISC.

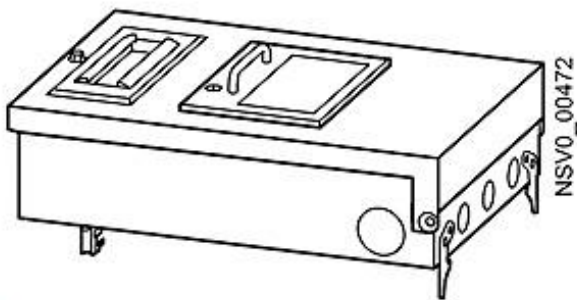


Figure similar

Model	
product designation	tap-off unit for BD2 busbar trunking system
operating voltage / at AC	
<ul style="list-style-type: none"> <li>at 50 Hz / rated value / maximum</li> </ul>	690 V
<ul style="list-style-type: none"> <li>at 60 Hz / rated value / maximum</li> </ul>	690 V
Protection class	
protection class IP	IP54
Main circuit	
operating frequency / rated value	
<ul style="list-style-type: none"> <li>minimum</li> </ul>	50 Hz
<ul style="list-style-type: none"> <li>maximum</li> </ul>	60 Hz
operating current	
<ul style="list-style-type: none"> <li>for circuit 1 / at AC / at 50 Hz / rated value / maximum</li> </ul>	125 A
<ul style="list-style-type: none"> <li>for circuit 1 / at AC / at 60 Hz / rated value / maximum</li> </ul>	125 A

## Connections

- |  |                    |
|--|--------------------|
| • connectable conductor cross-section / in the outgoing unit / minimum | 10 mm <sup>2</sup> |
|--|--------------------|

## Tap-off points

outgoing unit version	cable entry
design of short-circuit and overloading protection / in the outgoing unit	3-pole NH00 125 A fuse switch-disconnector
Size of the outgoing feeder	3
number of poles / of the outgoing feeder	5

## Mechanical Design

height	215 mm
width	205 mm
length	440 mm
product component / locking mechanism	Yes

## Certificates

### Declaration of Conformity



## Further information

### Information- and Downloadcenter (Catalogs, Brochures,...)

<http://www.siemens.com/lowvoltage/catalogs>

### Industry Mall (Online ordering system)

<https://mall.industry.siemens.com/mall/en/en/Catalog/product?mlfb=BVP:203163>

### Service&Support (Manuals, Certificates, Characteristics, FAQs,...)

<https://support.industry.siemens.com/cs/ww/en/ps/BVP:203163>

### Image database (product images, 2D dimension drawings, 3D models, device circuit diagrams, ...)

[http://www.automation.siemens.com/bilddb/cax\\_en.aspx?mlfb=BVP:203163](http://www.automation.siemens.com/bilddb/cax_en.aspx?mlfb=BVP:203163)

### CAX-Online-Generator

<http://www.siemens.com/cax>

### Tender specifications

<http://www.siemens.com/specifications>