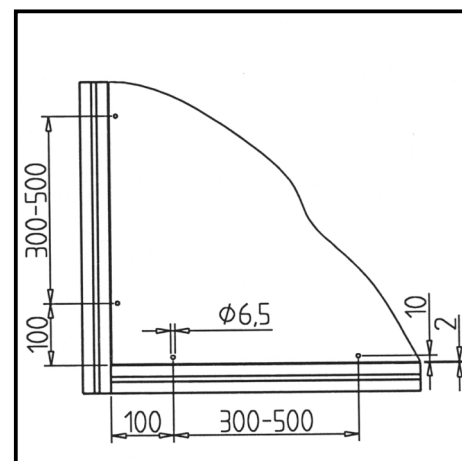
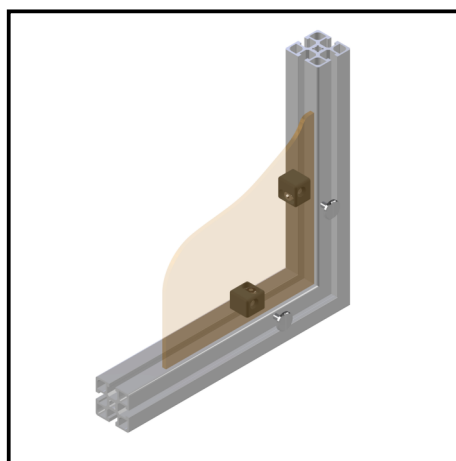
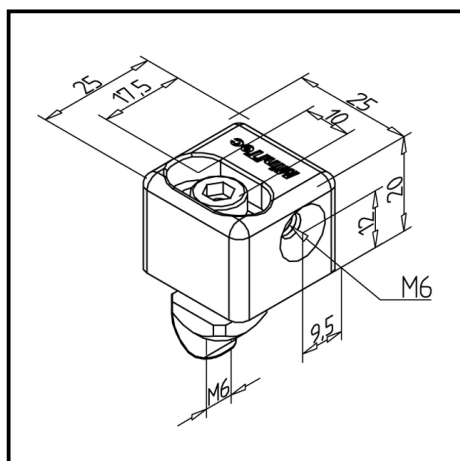


MULTIBLOCK GD WITH SQUARE NUT WITHOUT POSITION-FIXING

Article Nr. 21.1355/6

See the product on the website →



TECHN. DATA / ITEMS SUPPLIED

- Aluminium, Pressure die-casting, powder-coated
- With fastening material steel, zinc plated
- Without pan head screw
- Weight = 0.035 kg/piece

APPLICATIONS

- Retrofitting surface elements and attachments
- Plate thickness of 5 to 15 mm can be continuously flush fit

ASSEMBLY

- For all profile grooves
- Fastening surface elements or components with screw M6 or flat head screw
- Bore for fixation screws $\varnothing 6.5$ mm, edge distance 10 mm