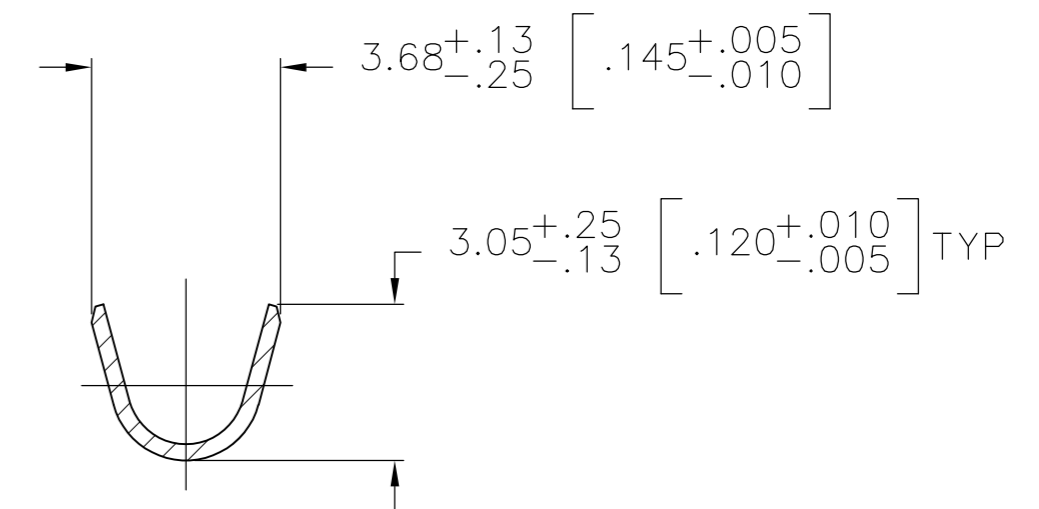
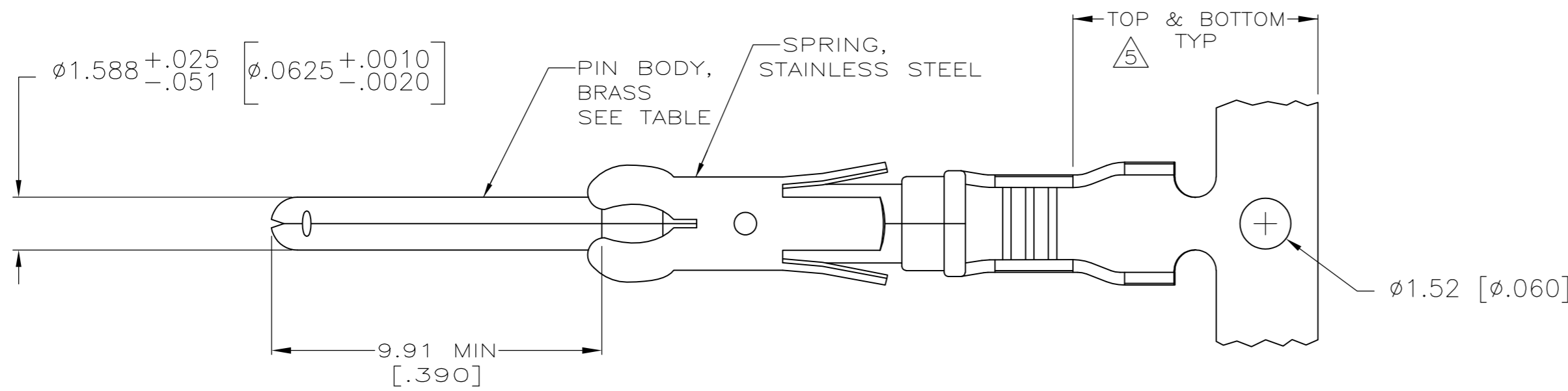
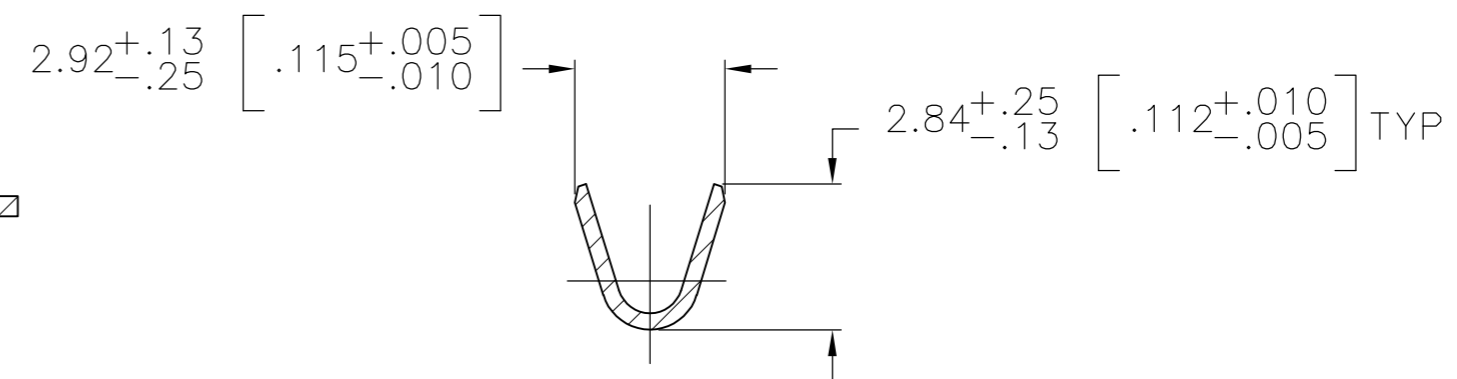
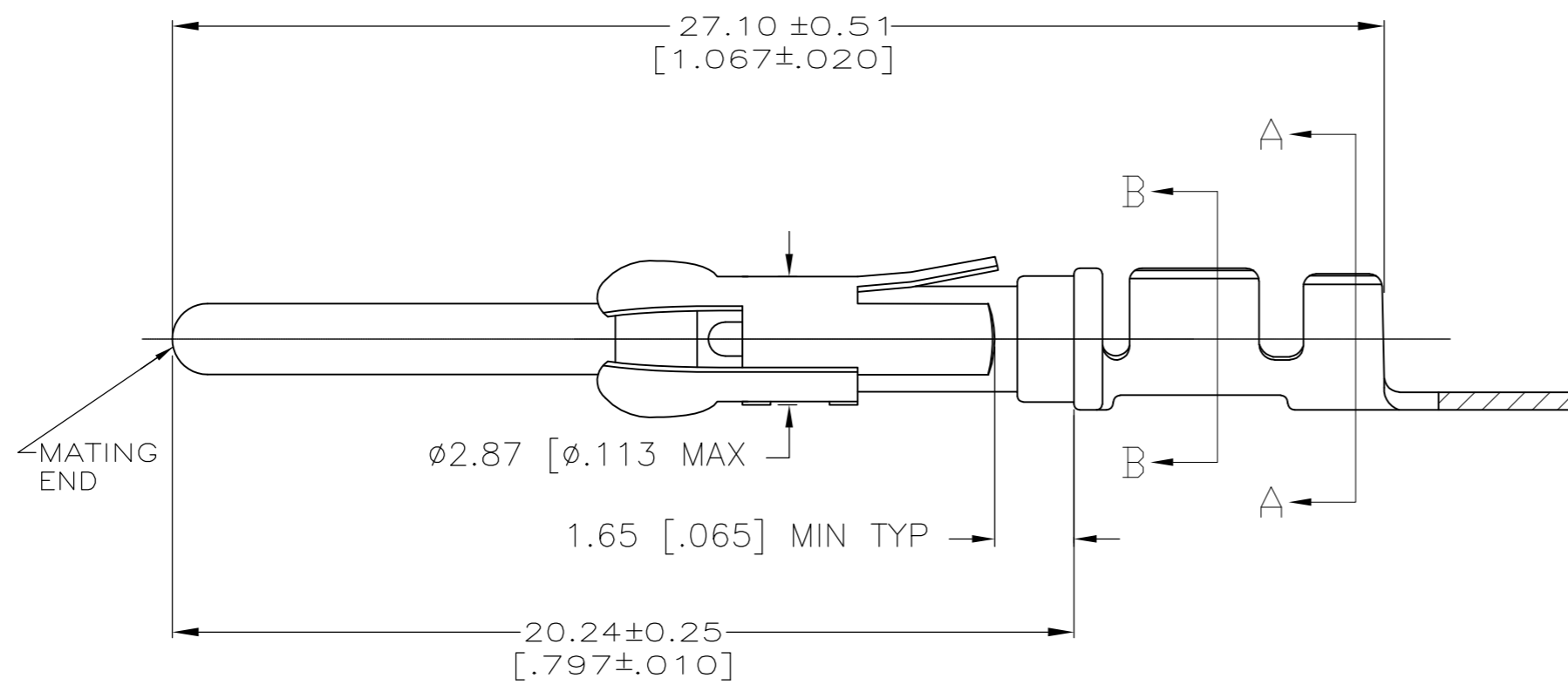


THIS DRAWING IS UNPUBLISHED. RELEASED FOR PUBLICATION
 © COPYRIGHT - By - ALL RIGHTS RESERVED.

LOC	DIST	REVISIONS			
P	LTR	DESCRIPTION	DATE	DWN	APVD
FT	47	AF1	REVISED PER ECO-11-004587	11MAR11	RK HMR



SECTION A-A



SECTION B-B

- 1 REVERSE REELED FOR MINI-APPLICATOR.
- 2 $0.76\mu\text{m}$ [.000030] MIN PRECIOUS METAL PLATE ON MATING END FOR A LENGTH OF 5.08 [.200] MIN OVER $1.27\mu\text{m}$ [.000050] MIN NICKEL PLATE. GOLD FLASH ALL OVER. CONFORMS TO THE REQUIREMENTS OF TE CONNECTIVITY ELECTRONICS PRODUCT SPEC 108-10042, BASED ON EIA/ECA-364-1000.01A (CONTROLLED ENVIRONMENT APPLICATIONS).
- 3 $0.76\mu\text{m}$ [.000030] MIN PRECIOUS METAL PLATE ON MATING END FOR A LENGTH OF 5.08 [.200] MIN WITH A UNIFORM GRADIENT TO $0.25\mu\text{m}$ [.000010] ON REMAINDER, OVER $1.27\mu\text{m}$ [.000050] MIN NICKEL PLATE. GOLD FLASH ALL OVER. CONFORMS TO THE REQUIREMENTS OF TYCO ELECTRONICS PRODUCT SPEC 108-10042, BASED ON EIA/ECA-364-1000.01A (CONTROLLED ENVIRONMENT APPLICATIONS).
- 4 $0.38\mu\text{m}$ [.000015] MIN GOLD PER MIL-G-45204 ON MATING END FOR A LENGTH OF 5.08 [.200] MIN WITH GOLD FLASH ON THE REMAINDER OVER $1.27\mu\text{m}$ [.000050] MIN NICKEL PER QQ-N-290.
- 5 GOLD PLATING NEED NOT APPEAR IN THIS AREA.
- 6 $1.27\mu\text{m}$ [.000050] MIN TIN-LEAD PER MIL-T-10727 OVER $1.27\mu\text{m}$ [.000050] MIN NICKEL PER QQ-N-290.
- 7. WIRE RANGE 18-16 AWG.
- 8. INSULATION RANGE 2.03[.080]-2.54[.100] DIA.
- 9 $0.38\mu\text{m}$ [.000015] MIN GOLD PER MIL-G-45204 ON MATING END FOR A LENGTH OF 5.08 [.200] MIN, $1.27\mu\text{m}$ [.000050] MIN TIN-LEAD PER MIL-T-10727 ON OPPOSITE END FOR A LENGTH OF 5.69 [.224] MIN, BOTH OVER $1.27\mu\text{m}$ [.000050] MIN NICKEL PER QQ-N-290.
- 10 $1.27\mu\text{m}$ [.000050] MIN TIN PER MIL-T-10727 OVER $1.27\mu\text{m}$ [.000050] MIN NICKEL PER QQ-N-290.

	STANDARD	10	1-66099-5	1-66098-9
	1	10	1-66099-5	1-66098-8
OBSOLETE	1	9	1-66099-0	1-66098-6
	1	2	66099-4	66098-9
	1	4	66099-3	66098-8
	1	6	66099-2	66098-7
	1	3	66099-1	66098-6
	STANDARD	2	66099-4	66098-4
	STANDARD	4	66099-3	66098-3
	STANDARD	6	66099-2	66098-2
	STANDARD	3	66099-1	66098-1
	REELING	PIN BODY FINISH	LOOSE PIECE REF	PART NUMBER

THIS DRAWING IS A CONTROLLED DOCUMENT.		DWN V. FURLER 19JUN2003		
DIMENSIONS: mm [INCHES]		CHK G. STEINHAUER 19JUN03		
TOLERANCES UNLESS OTHERWISE SPECIFIED:		APVD G. STEINHAUER 19JUN03	NAME	
0 PLC ± -		PRODUCT SPEC	-	
1 PLC ± -		APPLICATION SPEC	-	
2 PLC ± 0.13 [.005]		WEIGHT	-	
3 PLC ± -		SCALE	A2 00779 C=66098	
4 PLC ± -		CUSTOMER DRAWING	RESTRICTED TO	
ANGLES ± -		FINISH	-	
MATERIAL SEE CALLOUTS		SEE TABLE	-	
		SCALE 1:1	SHEET 1 OF 1	
		REV AF1		