

FEATURES

- RS-485 transceiver with electrical data isolation
- Complies with ANSI TIA/EIA RS-485-A and ISO 8482: 1987(E)
- 500 kbps data rate
- Slew rate-limited driver outputs
- Low power operation: 2.5 mA max
- Suitable for 5 V or 3 V operations (V_{DD1})
- High common-mode transient immunity: >25 kV/ μ s
- True fail-safe receiver inputs
- Chatter-free power-up/power-down protection
- 256 nodes on bus
- Thermal shutdown protection
- Safety and regulatory approvals
 - UL recognition: 2500 V rms for 1 minute per UL 1577
 - CSA Component Acceptance Notice #5A
 - IEC 609501 800 V rms (basic), 400 V rms (reinforced)
 - VDE Certificate of Conformity
 - DIN V VDE V 0884-10 (VDE V 0884-10): 2006-12
- $V_{IORM} = 560$ V peak
- Operating temperature range: -40°C to $+85^{\circ}\text{C}$

APPLICATIONS

- Low power RS-485/RS-422 networks
- Isolated interfaces
- Building control networks
- Multipoint data transmission systems

GENERAL DESCRIPTION

The [ADM2483](#) differential bus transceiver is an integrated, galvanically isolated component designed for bidirectional data communication on balanced, multipoint bus transmission lines. It complies with ANSI EIA/TIA-485-A and ISO 8482: 1987(E). Using Analog Devices' *iCoupler* technology, the [ADM2483](#) combines a 3-channel isolator, a three-state differential line driver, and a differential input receiver into a single package. The logic side of the device is powered with either a 5 V or 3 V supply, and the bus side uses a 5 V supply only.

The [ADM2483](#) is slew-limited to reduce reflections with improperly terminated transmission lines. The controlled slew rate limits the data rate to 500 kbps. The device's input impedance is 96 k Ω , allowing up to 256 transceivers on the bus. Its driver has an active-high enable feature. The driver differential outputs

FUNCTIONAL BLOCK DIAGRAM

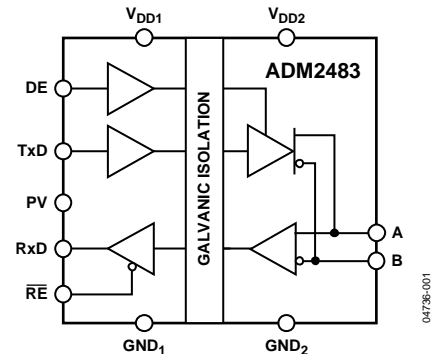


Figure 1.

and receiver differential inputs are connected internally to form a differential I/O port. When the driver is disabled or when V_{DD1} or $V_{DD2} = 0$ V, this imposes minimal loading on the bus. An active-high receiver disable feature, which causes the receive output to enter a high impedance state, is provided as well.

The receiver inputs have a true fail-safe feature that ensures a logic-high receiver output level when the inputs are open or shorted. This guarantees that the receiver outputs are in a known state before communication begins and at the point when communication ends.

Current limiting and thermal shutdown features protect against output short circuits and bus contention situations that might cause excessive power dissipation. The part is fully specified over the industrial temperature range and is available in a 16-lead, wide body SOIC package.

Rev. C

[Document Feedback](#)

Information furnished by Analog Devices is believed to be accurate and reliable. However, no responsibility is assumed by Analog Devices for its use, nor for any infringements of patents or other rights of third parties that may result from its use. Specifications subject to change without notice. No license is granted by implication or otherwise under any patent or patent rights of Analog Devices. Trademarks and registered trademarks are the property of their respective owners.

TABLE OF CONTENTS

Specifications.....	3	Circuit Description.....	14
Timing Specifications.....	4	Electrical Isolation.....	14
Absolute Maximum Ratings.....	5	Truth Tables.....	15
ESD Caution.....	5	Power-Up/Power-Down Characteristics.....	15
Package Characteristics	6	Thermal Shutdown	15
Regulatory Information	6	True Fail-Safe Receiver Inputs.....	15
Insulation and Safety-Related Specifications	6	Magnetic Field Immunity.....	15
VDE V 0884-10 Insulation Characteristics	7	Applications Information	17
Pin Configuration and Function Descriptions.....	8	Power_Valid Input	17
Test Circuits.....	9	Isolated Power Supply Circuit	17
Switching Characteristics	10	Outline Dimensions	18
Typical Performance Characteristics	11	Ordering Guide	18

REVISION HISTORY

11/13—Rev. B to Rev. C

Changes to Features Section.....	1
Changes to Table 5.....	6
Changes to VDE V 0884-10 Insulation Characteristics Section	7
Updated Outline Dimensions	18
Changes to Ordering Guide	18

3/05—Rev. A to Rev. B

Change to Features	1
Change to Package Characteristics.....	6
Changes to Pin Function Descriptions.....	8
Changes to Figure 9 and Figure 11.....	10
Change to Power_Valid Input Section.....	17
Changes to Figure 30.....	17
Changes to Ordering Guide	18

1/05—Rev. 0 to Rev. A

Changes to ESD maximum rating specification.....	5
--	---

10/04—Revision 0: Initial Version

SPECIFICATIONS

$2.7 \leq V_{DD1} \leq 5.5 \text{ V}$, $4.75 \text{ V} \leq V_{DD2} \leq 5.25 \text{ V}$, $T_A = T_{MIN}$ to T_{MAX} , unless otherwise noted.

Table 1.

Parameter	Min	Typ	Max	Unit	Test Conditions/Comments
DRIVER					
Differential Outputs					
Differential Output Voltage, V_{OD}			5	V	$R = \infty$, see Figure 3
	2.0		5	V	$R = 50 \Omega$ (RS-422), see Figure 3
	1.5		5	V	$R = 27 \Omega$ (RS-485), see Figure 3
	1.5		5	V	$V_{TST} = -7 \text{ V}$ to $+12 \text{ V}$, $V_{DD1} \geq 4.75$, see Figure 4
$\Delta V_{OD} $ for Complementary Output States			0.2	V	$R = 27 \Omega$ or 50Ω , see Figure 3
Common-Mode Output Voltage, V_{OC}			3	V	$R = 27 \Omega$ or 50Ω , see Figure 3
$\Delta V_{OC} $ for Complementary Output States			0.2	V	$R = 27 \Omega$ or 50Ω , see Figure 3
Output Short-Circuit Current, $V_{OUT} = \text{High}$	-250		+250	mA	$-7 \text{ V} \leq V_{OUT} \leq +12 \text{ V}$
Output Short-Circuit Current, $V_{OUT} = \text{Low}$	-250		+250	mA	$-7 \text{ V} \leq V_{OUT} \leq +12 \text{ V}$
Logic Inputs					
Input High Voltage	$0.7 V_{DD1}$			V	TxD, DE, $\overline{\text{RE}}$, PV
Input Low Voltage			$0.25 V_{DD1}$	V	TxD, DE, $\overline{\text{RE}}$, PV
CMOS Logic Input Current (TxD, DE, $\overline{\text{RE}}$, PV)	-10	+0.01	+10	μA	TxD, DE, $\overline{\text{RE}}$, PV = V_{DD1} or 0 V
RECEIVER					
Differential Inputs					
Differential Input Threshold Voltage, V_{TH}	-200	-125	-30	mV	$-7 \text{ V} \leq V_{CM} \leq +12 \text{ V}$
Input Hysteresis		20		mV	$-7 \text{ V} \leq V_{CM} \leq +12 \text{ V}$
Input Resistance (A, B)	96	150		k Ω	$-7 \text{ V} \leq V_{CM} \leq +12 \text{ V}$
Input Current (A, B)			0.125	mA	$V_{IN} = +12 \text{ V}$
			-0.1	mA	$V_{IN} = -7 \text{ V}$
RxD Logic Output					
Output High Voltage	$V_{DD1} - 0.1$			V	$I_{OUT} = 20 \mu\text{A}$, $V_A - V_B = 0.2 \text{ V}$
	$V_{DD1} - 0.4$	$V_{DD1} - 0.2$		V	$I_{OUT} = 4 \text{ mA}$, $V_A - V_B = 0.2 \text{ V}$
Output Low Voltage			0.1	V	$I_{OUT} = -20 \mu\text{A}$, $V_A - V_B = -0.2 \text{ V}$
			0.4	V	$I_{OUT} = -4 \text{ mA}$, $V_A - V_B = -0.2 \text{ V}$
Output Short-Circuit Current	7		85	mA	$V_{OUT} = \text{GND}$ or V_{CC}
Three-State Output Leakage Current			± 1	μA	$0.4 \text{ V} \leq V_{OUT} \leq 2.4 \text{ V}$
POWER SUPPLY CURRENT					
Logic Side					
			2.5	mA	$4.5 \text{ V} \leq V_{DD1} \leq 5.5 \text{ V}$, outputs unloaded, $\overline{\text{RE}} = 0 \text{ V}$
			1.3	mA	$2.7 \text{ V} \leq V_{DD1} \leq 3.3 \text{ V}$, outputs unloaded, $\overline{\text{RE}} = 0 \text{ V}$
Bus Side					
			2.0	mA	Outputs unloaded, DE = 5 V
			1.7	mA	Outputs unloaded, DE = 0 V
COMMON-MODE TRANSIENT IMMUNITY¹					
	25			kV/ μs	TxD = V_{DD1} or 0 V, $V_{CM} = 1 \text{ kV}$, transient magnitude = 800 V

¹ Common-mode transient immunity is the maximum common-mode voltage slew rate that can be sustained while maintaining specification-compliant operation. V_{CM} is the common-mode potential difference between the logic and bus sides. The transient magnitude is the range over which the common mode is slewed. The common-mode voltage slew rates apply to both rising and falling common-mode voltage edges.

TIMING SPECIFICATIONS

$2.7 \leq V_{DD1} \leq 5.5 \text{ V}$, $4.75 \text{ V} \leq V_{DD2} \leq 5.25 \text{ V}$, $T_A = T_{MIN}$ to T_{MAX} , unless otherwise noted.

Table 2.

Parameter	Min	Typ	Max	Unit	Test Conditions/Comments
DRIVER					
Maximum Data Rate	500			kbps	
Propagation Delay, t_{PLH} , t_{PHL}	250		620	ns	$R_{LDIFF} = 54 \Omega$, $C_{L1} = C_{L2} = 100 \text{ pF}$, see Figure 5 and Figure 9
Skew, t_{SKEW}			40	ns	$R_{LDIFF} = 54 \Omega$, $C_{L1} = C_{L2} = 100 \text{ pF}$, see Figure 5 and Figure 9
Rise/Fall Time, t_R , t_F	200		600	ns	$R_{LDIFF} = 54 \Omega$, $C_{L1} = C_{L2} = 100 \text{ pF}$, see Figure 5 and Figure 9
Enable Time			1050	ns	$R_L = 500 \Omega$, $C_L = 100 \text{ pF}$, see Figure 6 and Figure 11
Disable Time			1050	ns	$R_L = 500 \Omega$, $C_L = 15 \text{ pF}$, see Figure 6 and Figure 11
RECEIVER					
Propagation Delay, t_{PLH} , t_{PHL}	400		1050	ns	$C_L = 15 \text{ pF}$, see Figure 7 and Figure 10
Differential Skew, t_{SKEW}			250	ns	$C_L = 15 \text{ pF}$, see Figure 7 and Figure 10
Enable Time		25	70	ns	$R_L = 1 \text{ k}\Omega$, $C_L = 15 \text{ pF}$, see Figure 8 and Figure 12
Disable Time		40	70	ns	$R_L = 1 \text{ k}\Omega$, $C_L = 15 \text{ pF}$, see Figure 8 and Figure 12
POWER VALID INPUT					
Enable Time		1	2	μs	
Disable Time		3	5	μs	

ABSOLUTE MAXIMUM RATINGS

$T_A = 25^\circ\text{C}$, unless otherwise noted. All voltages are relative to their respective ground.

Table 3.

Parameter	Rating
V_{DD1}	-0.5 V to +7 V
V_{DD2}	-0.5 V to +6 V
Digital Input Voltage (DE, $\overline{\text{RE}}$, TxD)	-0.5 V to $V_{DD1} + 0.5$ V
Digital Output Voltage RxD	-0.5 V to $V_{DD1} + 0.5$ V
Driver Output/Receiver Input Voltage	-9 V to +14 V
ESD Rating: Contact (Human Body Model) (A, B Pins)	± 2 kV
Operating Temperature Range	-40°C to $+85^\circ\text{C}$
Storage Temperature Range	-55°C to $+150^\circ\text{C}$
Average Output Current per Pin	-35 mA to +35 mA
θ_{JA} Thermal Impedance	73°C/W
Lead Temperature	
Soldering (10 sec)	260°C
Vapor Phase (60 sec)	215°C
Infrared (15 sec)	220°C

Stresses above those listed under Absolute Maximum Ratings may cause permanent damage to the device. This is a stress rating only and functional operation of the device at these or any other conditions above those indicated in the operational section of this specification is not implied. Exposure to absolute maximum rating conditions for extended periods may affect device reliability.

ESD CAUTION

ESD (electrostatic discharge) sensitive device. Electrostatic charges as high as 4000 V readily accumulate on the human body and test equipment and can discharge without detection. Although this product features proprietary ESD protection circuitry, permanent damage may occur on devices subjected to high energy electrostatic discharges. Therefore, proper ESD precautions are recommended to avoid performance degradation or loss of functionality.



PACKAGE CHARACTERISTICS

Table 4.

Parameter	Symbol	Min	Typ	Max	Unit	Test Conditions
Resistance (Input-Output) ¹	R _{I-O}		10 ¹²		Ω	f = 1 MHz
Capacitance (Input-Output) ¹	C _{I-O}		3		pF	
Input Capacitance ²	C _I		4		pF	
Input IC Junction-to-Case Thermal Resistance	θ _{JCI}		33		°C/W	Thermocouple located at center of package underside
Output IC Junction-to-Case Thermal Resistance	θ _{JCO}		28		°C/W	Thermocouple located at center of package underside

¹ Device considered a 2-terminal device: Pins 1, 2, 3, 4, 5, 6, 7, and 8 shorted together, and Pins 9, 10, 11, 12, 13, 14, 15, and 16 shorted together.

² Input capacitance is from any input data pin to ground.

REGULATORY INFORMATION

The [ADM2483](#) has been approved by the following organizations:

Table 5.

UL ¹	CSA	VDE ²
Recognized under 1577 component recognition program	Approved under CSA Component Acceptance Notice #5A IEC 609501 800 Vrms (1131 V _{PEAK}) Basic, 400 V rms (565 V _{PEAK}) reinforced.	Certified according to DIN V VDE V 0884-10 (VDE V 0884-10): 2006-12
File E214100	File 205078	File 2471900-4880-0001

¹ In accordance with UL1577, each ADM2483 is proof tested by applying an insulation test voltage ≥ 3000 V rms for 1 sec (current leakage detection limit = 5 μ A).

² In accordance with VDE V 0884-10, each ADM2483 is proof tested by applying an insulation test voltage ≥ 1050 V_{PEAK} for 1 sec (partial discharge detection limit = 5 pC).

INSULATION AND SAFETY-RELATED SPECIFICATIONS

Table 6.

Parameter	Symbol	Value	Unit	Conditions
Rated Dielectric Insulation Voltage		2500	V rms	1-minute duration
Minimum External Air Gap (Clearance)	L(I01)	7.45 min	mm	Measured from input terminals to output terminals, shortest distance through air
Minimum External Tracking (Creepage)	L(I02)	8.1 min	mm	Measured from input terminals to output terminals, shortest distance along body
Minimum Internal Gap (Internal Clearance)		0.017 min	mm	Insulation distance through insulation
Tracking Resistance (Comparative Tracking Index)	CTI	>175	V	DIN IEC 112/VDE 0303 Part 1
Isolation Group		IIIa		Material Group (Table 1 in DIN VDE 0110,1/89)

VDE V 0884-10 INSULATION CHARACTERISTICS

This isolator is suitable for reinforced electrical isolation only within this safety limit data. Maintenance of this safety data shall be ensured by means of protective circuits.

An asterisk (*) on the physical package denotes VDE V 0884-10 approval for 560 V peak working voltage.

Table 7.

Description	Symbol	Characteristic	Unit
Installation Classification per DIN VDE 0110 for Rated Mains Voltage		I to IV	
≤150 V rms		I to III	
≤300 V rms		I to II	
≤400 V rms		40/100/21	
Climatic Classification		2	
Pollution Degree (Table 1 in DIN VDE 0110)		560	V _{PEAK}
Maximum Working Insulation Voltage	V _{IORM}	1050	V _{PEAK}
Input to Output test Voltage, Method b1	V _{PR}		
V _{IORM} × 1.875 = V _{PR} , 100% Production Tested			
t _m = 1 sec, Partial Discharge <5 pC			
Input-to-Output Test Voltage, Method a			
(After Environmental Tests, Subgroup 1)			
V _{IORM} × 1.6 = V _{PR} , t _m = 60 sec, Partial Discharge <5 pC		896	V _{PEAK}
(After Input and/or Safety Test, Subgroup 2/3)			
V _{IORM} × 1.2 = V _{PR} , t _m = 60 sec, Partial Discharge <5 pC	V _{PR}	672	V _{PEAK}
Highest Allowable Overvoltage			
(Transient Overvoltage, t _{TR} = 10 sec)	V _{TR}	4000	V _{PEAK}
Safety-Limiting Values (Maximum Value Allowed in the Event of a Failure. See Figure 23.)			
Case Temperature	T _S	150	°C
Input Current	I _{S, INPUT}	265	mA
Output Current	I _{S, OUTPUT}	335	mA
Insulation Resistance at T _S , V _{IO} = 500 V	R _S	>10 ⁹	Ω

PIN CONFIGURATION AND FUNCTION DESCRIPTIONS

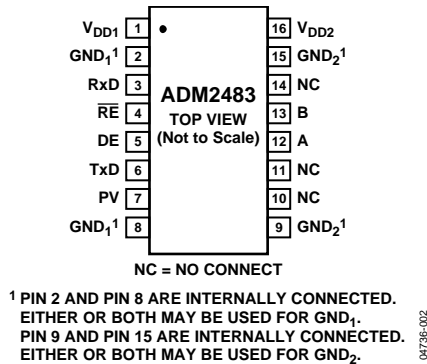


Figure 2. Pin Configuration

Table 8. Pin Function Descriptions

Pin No.	Mnemonic	Description
1	V _{DD1}	Power Supply (Logic Side).
2, 8	GND ₁	Ground (Logic Side).
3	RxD	Receiver Output Data. When enabled, if $(A - B) \geq -30$ mV, then RxD = high. If $(A - B) \leq -200$ mV, then RxD = low. This is a tristate output when the receiver is disabled, that is, when \overline{RE} is driven high.
4	\overline{RE}	Receiver Enable Input. This is an active-low input. Driving this input low enables the receiver, and driving it high disables the receiver.
5	DE	Driver Enable Input. Driving the input high enables the driver, and driving it low disables the driver.
6	TxD	Transmit Data Input. Data to be transmitted by the driver is applied to this input.
7	PV	Power_Valid. Used during power-up and power-down. See the Applications Information section.
9, 15	GND ₂	Ground (Bus Side).
10, 11, 14	NC	No Connect.
12	A	Noninverting Driver Output/Receiver Input. When the driver is disabled, or when V _{DD1} or V _{DD2} is powered down, Pin A is put into a high impedance state to avoid overloading the bus.
13	B	Inverting Driver Output/Receiver Input. When the driver is disabled, or when V _{DD1} or V _{DD2} is powered down, Pin B is put into a high impedance state to avoid overloading the bus.
16	V _{DD2}	Power Supply (Bus Side).

TEST CIRCUITS

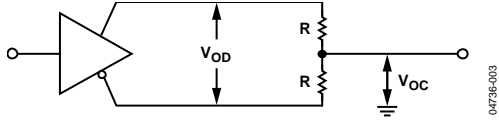


Figure 3. Driver Voltage Measurement

04736-003

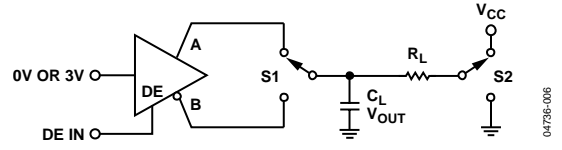


Figure 6. Driver Enable/Disable

04736-006

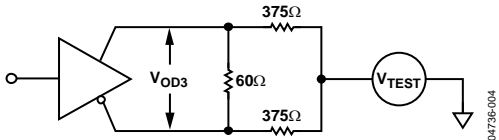


Figure 4. Driver Voltage Measurement

04736-004

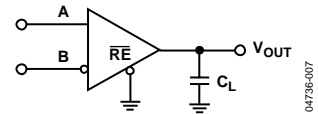


Figure 7. Receiver Propagation Delay

04736-007

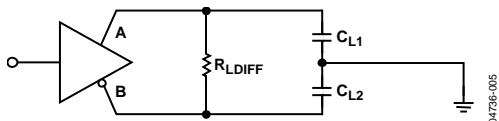


Figure 5. Driver Propagation Delay

04736-005

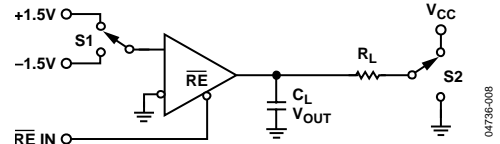


Figure 8. Receiver Enable/Disable

04736-008

SWITCHING CHARACTERISTICS

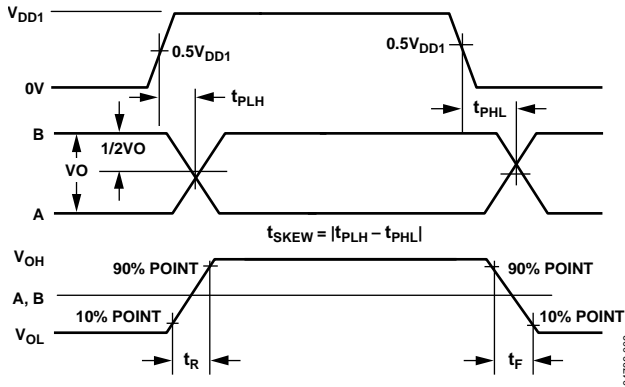


Figure 9. Driver Propagation Delay, Rise/Fall Timing

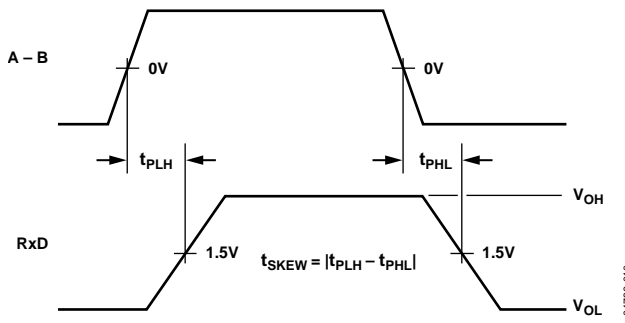


Figure 10. Receiver Propagation Delay

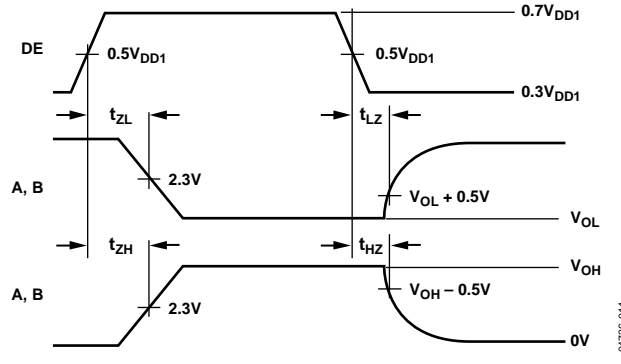


Figure 11. Driver Enable/Disable Timing

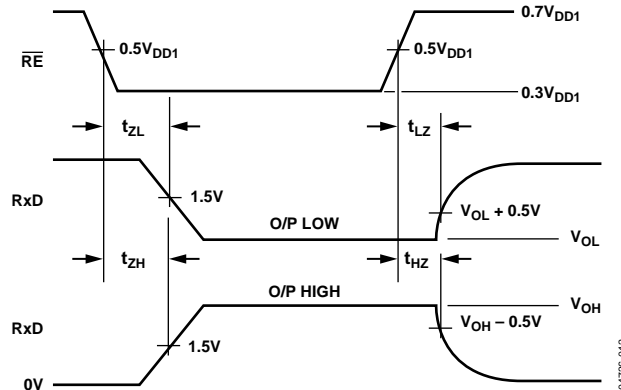


Figure 12. Receiver Enable/Disable Timing

TYPICAL PERFORMANCE CHARACTERISTICS

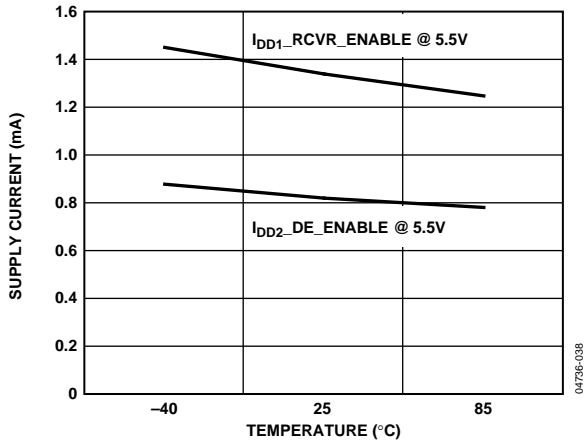


Figure 13. Unloaded Supply Current vs. Temperature

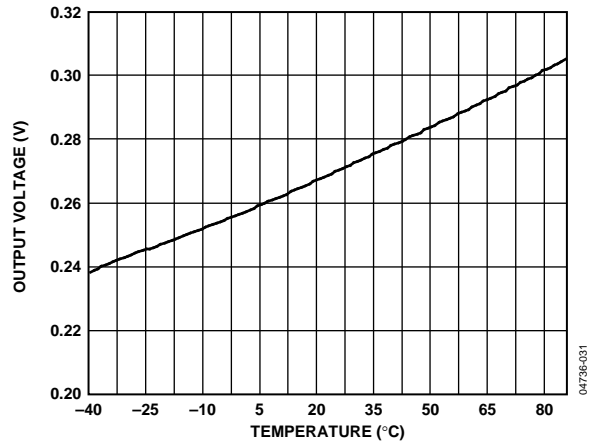


Figure 16. Receiver Output Low Voltage vs. Temperature, $I = -4\text{mA}$

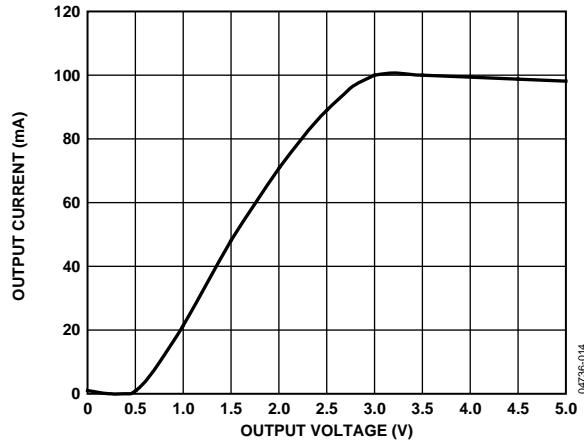


Figure 14. Output Current vs. Driver Output Low Voltage

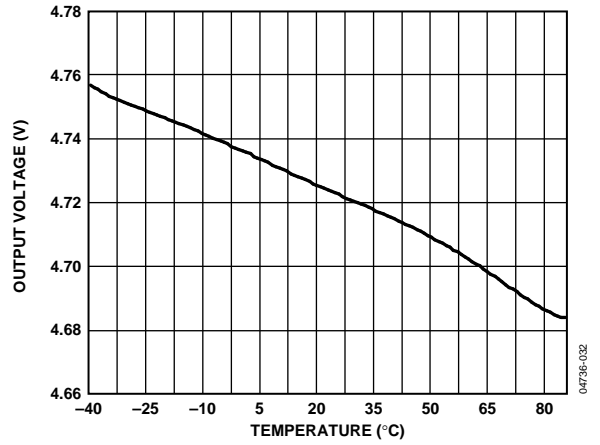


Figure 17. Receiver Output High Voltage vs. Temperature, $I = 4\text{mA}$

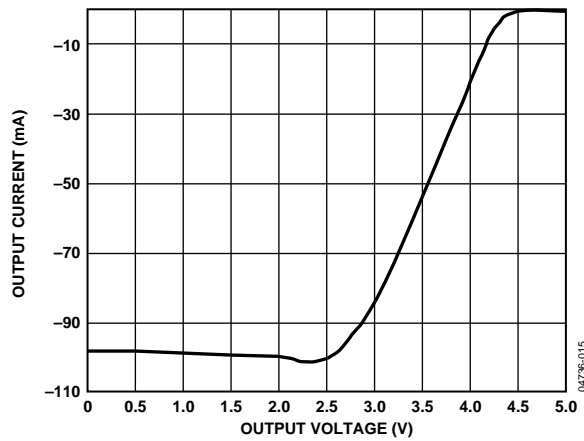


Figure 15. Output Current vs. Driver Output High Voltage

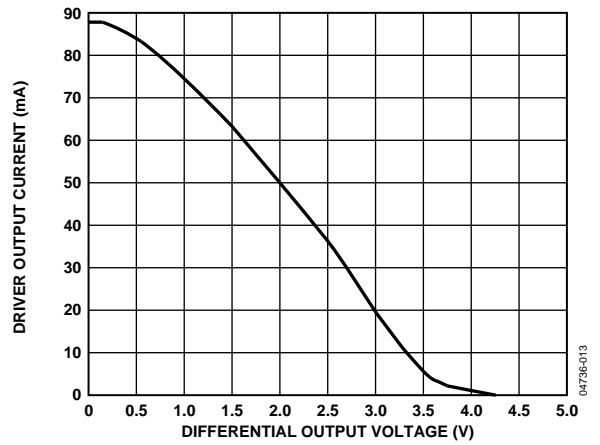


Figure 18. Driver Output Current vs. Differential Output Voltage

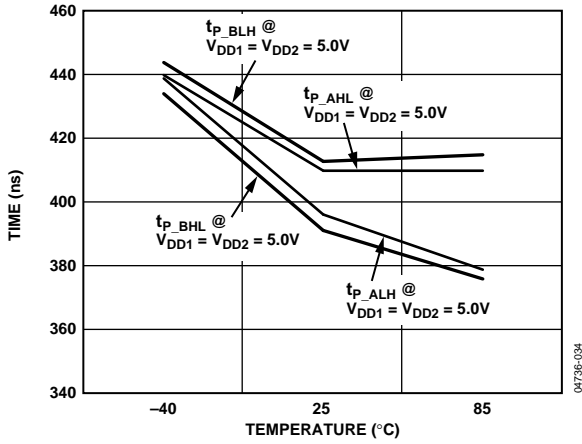


Figure 19. Driver Propagation Delay vs. Temperature

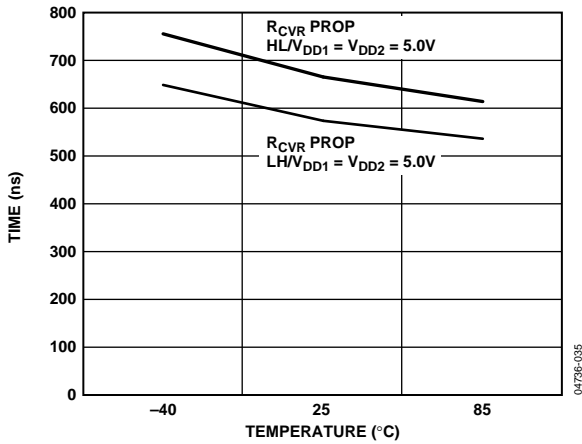


Figure 20. Receiver Propagation Delay vs. Temperature

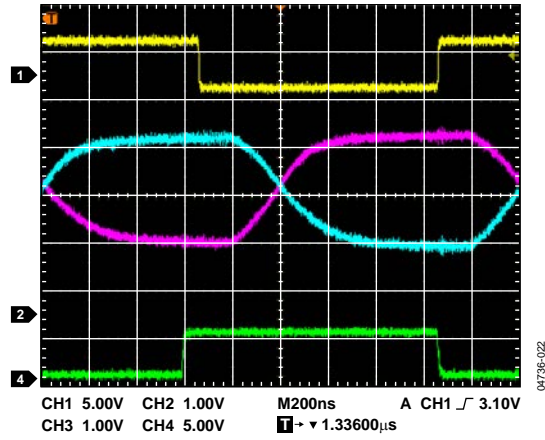


Figure 21. Driver/Receiver Propagation Delay High to Low

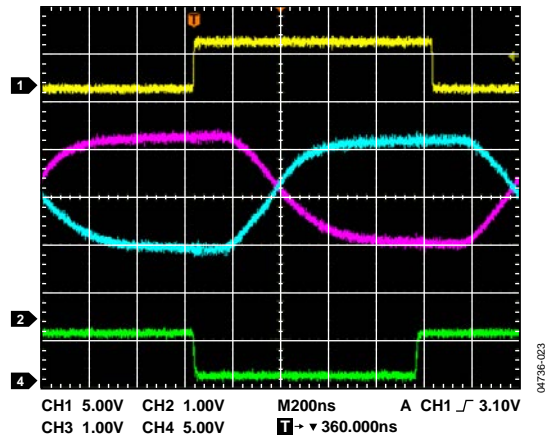


Figure 22. Driver/Receiver Propagation Delay Low to High

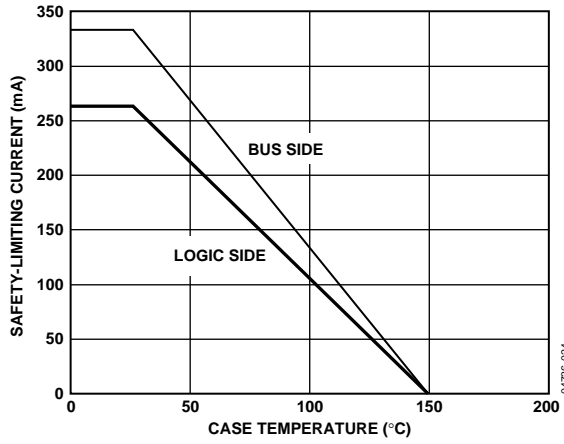


Figure 23. Thermal Derating Curve, Dependence of Safety-Limiting Values with Case Temperature per VDE V 0884

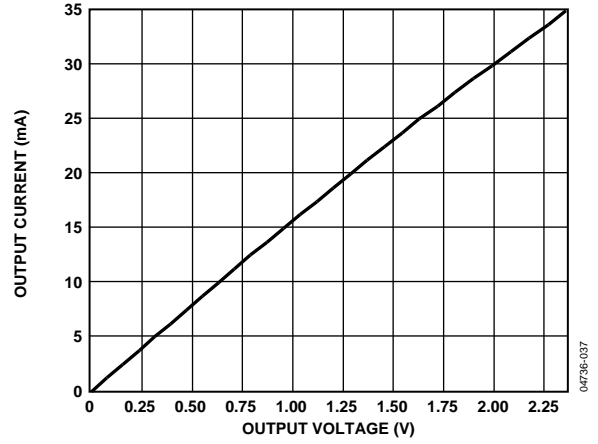


Figure 25. Output Current vs. Receiver Output Low Voltage

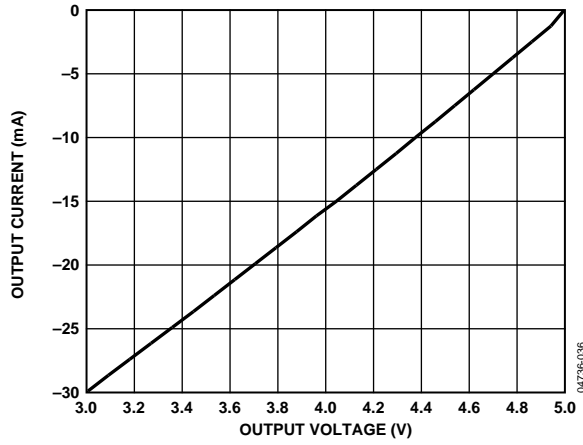


Figure 24. Output Current vs. Receiver Output High Voltage

CIRCUIT DESCRIPTION

ELECTRICAL ISOLATION

In the [ADM2483](#), electrical isolation is implemented on the logic side of the interface. Therefore, the part has two main sections: a digital isolation section and a transceiver section (see Figure 26). Driver input and data enable signals, applied to the TxD and DE pins, respectively, and referenced to logic ground (GND_1), are coupled across an isolation barrier to appear at the transceiver section referenced to isolated ground (GND_2). Similarly, the receiver output, referenced to isolated ground in the transceiver section, is coupled across the isolation barrier to appear at the RxD pin referenced to logic ground.

iCoupler Technology

The digital signals are transmitted across the isolation barrier using *iCoupler* technology. This technique uses chip-scale transformer windings to couple the digital signals magnetically from one side of the barrier to the other. Digital inputs are encoded into waveforms that are capable of exciting the primary transformer winding. At the secondary winding, the induced waveforms are then decoded into the binary value that was originally transmitted.

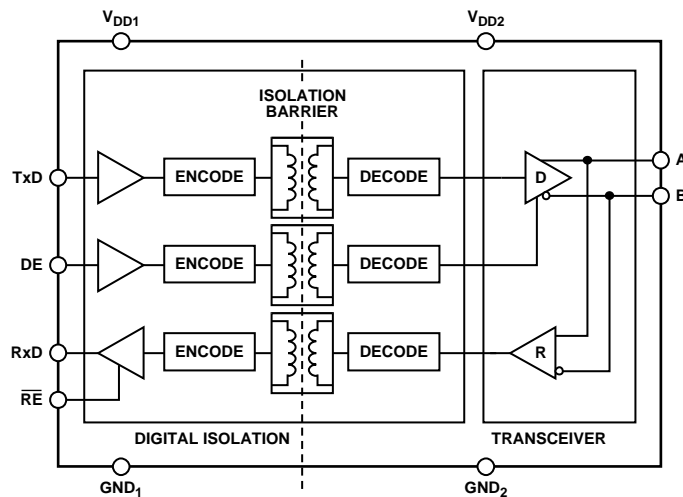


Figure 26. [ADM2483](#) Digital Isolation and Transceiver Sections

TRUTH TABLES

The following truth tables use these abbreviations:

Letter	Description
H	High level
L	Low level
X	Irrelevant
Z	High impedance (off)
NC	Disconnected

Table 9. Transmitting

Supply Status		Inputs		Outputs	
V _{DD1}	V _{DD2}	DE	TxD	A	B
On	On	H	H	H	L
On	On	H	L	L	H
On	On	L	X	Z	Z
On	Off	X	X	Z	Z
Off	On	X	X	Z	Z
Off	Off	X	X	Z	Z

Table 10. Receiving

Supply Status		Inputs		Outputs
V _{DD1}	V _{DD2}	A – B (V)	$\overline{\text{RE}}$	RxD
On	On	>–0.03	L or NC	H
On	On	<–0.2	L or NC	L
On	On	–0.2 < A – B < –0.03	L or NC	Indeterminate
On	On	Inputs open	L or NC	H
On	On	X	H	Z
On	Off	X	L or NC	H
Off	On	X	L or NC	H
Off	Off	X	L or NC	L

POWER-UP/POWER-DOWN CHARACTERISTICS

The power-up/power-down characteristics of the [ADM2483](#) are in accordance with the supply thresholds shown in Table 11. Upon power-up, the [ADM2483](#) output signals (A, B, and RxD) reach their correct state once both supplies exceed their thresholds. Upon power-down, the [ADM2483](#) output signals retain their correct state until at least one of the supplies drops below its power-down threshold. When the V_{DD1} power-down threshold is crossed, the [ADM2483](#) output signals reach their unpowered states within 4 μs .

Table 11. Power-Up/Power-Down Thresholds

Supply	Transition	Threshold (V)
V _{DD1}	Power-up	2.0
V _{DD1}	Power-down	1.0
V _{DD2}	Power-up	3.3
V _{DD2}	Power-down	2.4

THERMAL SHUTDOWN

The [ADM2483](#) contains thermal shutdown circuitry that protects the part from excessive power dissipation during fault conditions. Shorting the driver outputs to a low impedance source can result in high driver currents. The thermal sensing circuitry detects the increase in die temperature under this condition and disables the driver outputs. This circuitry is designed to disable the driver outputs when a die temperature of 150°C is reached. As the device cools, the drivers are re-enabled at a temperature of 140°C.

TRUE FAIL-SAFE RECEIVER INPUTS

The receiver inputs have a true fail-safe feature, which ensures that the receiver output is high when the inputs are open or shorted. During line-idle conditions, when no driver on the bus is enabled, the voltage across a terminating resistance at the receiver input decays to 0 V. With traditional transceivers, receiver input thresholds specified between –200 mV and +200 mV mean that external bias resistors are required on the A and B pins to ensure that the receiver outputs are in a known state. The true fail-safe receiver input feature eliminates the need for bias resistors by specifying the receiver input threshold between –30 mV and –200 mV. The guaranteed negative threshold means that when the voltage between A and B decays to 0 V, the receiver output is guaranteed to be high.

MAGNETIC FIELD IMMUNITY

Because *iCouplers* use a coreless technology, no magnetic components are present, and the problem of magnetic saturation of the core material does not exist. Therefore, *iCouplers* have essentially infinite dc field immunity. The analysis that follows defines the conditions under which this might occur. The [ADM2483](#)'s 3 V operating condition is examined because it represents the most susceptible mode of operation.

The limitation on the *iCoupler*'s ac magnetic field immunity is set by the condition in which the induced error voltage in the receiving coil (the bottom coil in this case) is made sufficiently large, either to falsely set or reset the decoder. The voltage induced across the bottom coil is given by

$$V = \left(\frac{-d\beta}{dt} \right) \sum \pi r_n^2; \quad n = 1, 2, \dots, N$$

where if the pulses at the transformer output are greater than 1.0 V in amplitude:

β = magnetic flux density (gauss)

N = number of turns in receiving coil

r_n = radius of nth turn in receiving coil (cm)

The decoder has a sensing threshold of about 0.5 V; therefore, there is a 0.5 V margin in which induced voltages can be tolerated.

Given the geometry of the receiving coil and an imposed requirement that the induced voltage is, at most, 50% of the 0.5 V margin at the decoder, a maximum allowable magnetic field is calculated, as shown in Figure 27.

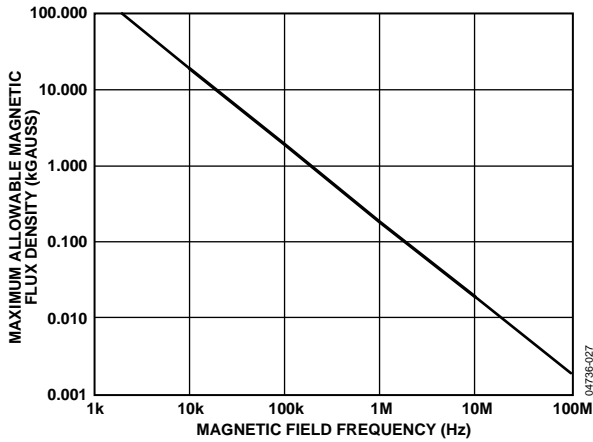


Figure 27. Maximum Allowable External Magnetic Flux Density

For example, at a magnetic field frequency of 1 MHz, the maximum allowable magnetic field of 0.2 kGauss induces a voltage of 0.25 V at the receiving coil. This is about 50% of the sensing threshold and does not cause a faulty output transition. Similarly, if such an event occurs during a transmitted pulse and is the worst-case polarity, it reduces the received pulse from >1.0 V to 0.75 V. This is well above the 0.5 V sensing threshold of the decoder.

These magnetic flux density values are shown in Figure 28, using more familiar quantities such as maximum allowable current flow, at given distances away from the [ADM2483](#) transformers.

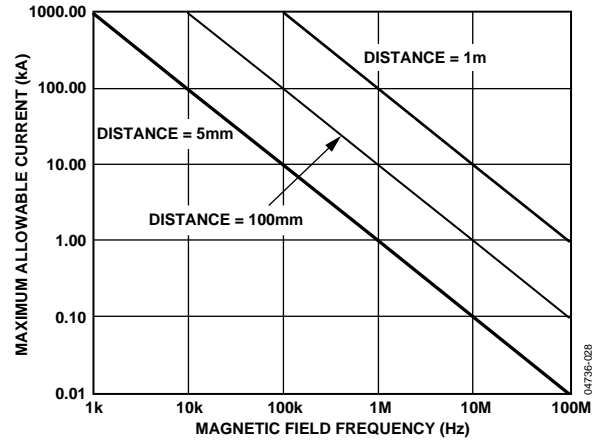


Figure 28. Maximum Allowable Current for Various Current-to-ADM2483 Spacings

At combinations of strong magnetic field and high frequency, any loops formed by printed circuit board traces could induce large enough error voltages to trigger the thresholds of succeeding circuitry. To avoid this possibility, care should be taken in the layout of such traces.

APPLICATIONS INFORMATION

POWER_VALID INPUT

To avoid chatter on the A and B outputs caused by slow power-up and power-down transients on V_{DD1} ($>100 \mu\text{s/V}$), the [ADM2483](#) features a power_valid (PV) digital input. This pin should be driven low until V_{DD1} exceeds 2.0 V. When V_{DD1} is greater than 2.0 V, the pin should be driven high. Conversely, upon power-down, the PV should be driven low before V_{DD1} reaches 2.0 V.

The power_valid input can be driven, for example, by the output of a system reset circuit such as the ADM809Z, which has a threshold voltage of 2.32 V.

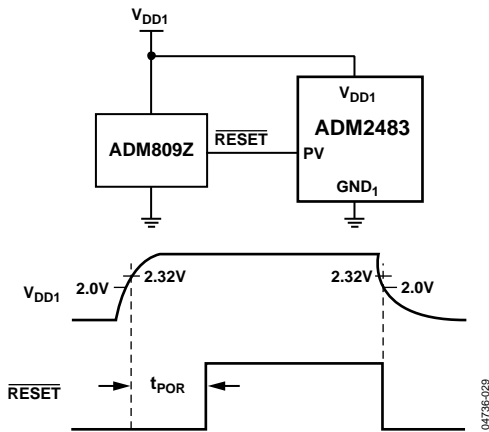


Figure 29. Driving PV with ADM809Z

ISOLATED POWER SUPPLY CIRCUIT

The [ADM2483](#) requires isolated power capable of 5 V at 100 mA to be supplied between the V_{DD2} and GND_2 pins. If no suitable integrated power supply is available, a discrete circuit, such as the one in Figure 30, can be used. A center-tapped transformer provides electrical isolation. The primary winding is excited with a pair of square waveforms that are 180° out of phase with each other. A pair of Schottky diodes and a smoothing capacitor are used to create a rectified signal from the secondary winding. The ADP667 linear voltage regulator provides a regulated power supply to the [ADM2483](#)'s bus-side circuitry.

To create the pair of square waves, a D-type flip-flop with complementary Q/\bar{Q} outputs is used. The flip-flop can be connected so that output Q follows the clock input signal. If no local clock signal is available, a simple digital oscillator can be implemented with a hex-inverting Schmitt trigger and a resistor and capacitor. In this case, values of 3.9 kΩ and 1 nF generate a 364 kHz square wave. A pair of discrete NMOS transistors, switched by the Q/\bar{Q} flip-flop outputs, conduct current through the center tap of the primary winding, winding in an alternating fashion.

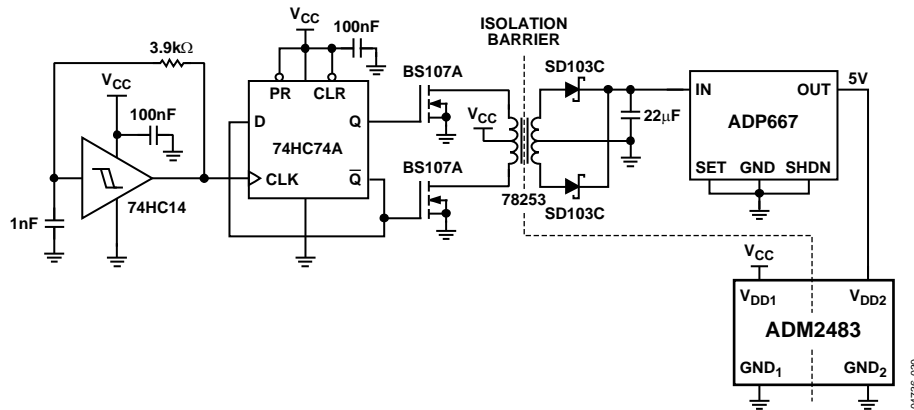
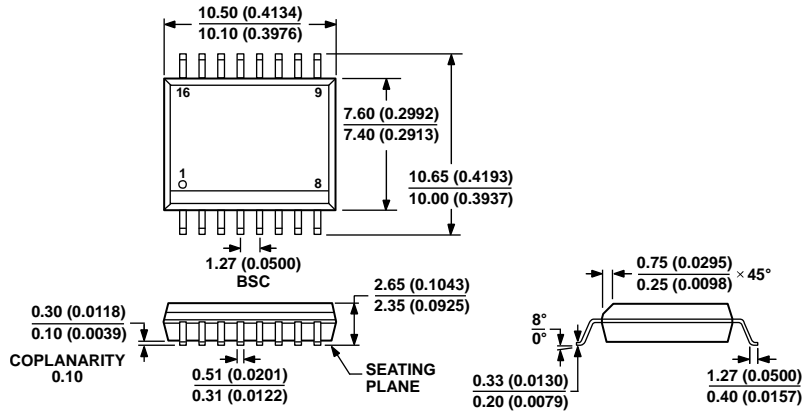


Figure 30. Isolated Power Supply Circuit

OUTLINE DIMENSIONS



COMPLIANT TO JEDEC STANDARDS MS-013-AA
 CONTROLLING DIMENSIONS ARE IN MILLIMETERS; INCH DIMENSIONS
 (IN PARENTHESES) ARE ROUNDED-OFF MILLIMETER EQUIVALENTS FOR
 REFERENCE ONLY AND ARE NOT APPROPRIATE FOR USE IN DESIGN.

03-27-2007-B

Figure 31. 16-Lead Standard Small Outline Package [SOIC_W]
 Wide Body
 (RW-16)
 Dimensions shown in millimeters and (inches)

ORDERING GUIDE

Model ^{1,2}	Data Rate (kbps)	Temperature Range	Package Description	Package Option
ADM2483BRW	500	-40°C to +85°C	16-Lead, Wide Body SOIC	RW-16
ADM2483BRW-REEL	500	-40°C to +85°C	16-Lead, Wide Body SOIC	RW-16
ADM2483BRWZ	500	-40°C to +85°C	16-Lead, Wide Body SOIC	RW-16
ADM2483BRWZ-REEL	500	-40°C to +85°C	16-Lead, Wide Body SOIC	RW-16
EVAL-ADM2483EBZ			ADM2483 Evaluation Board	

¹ Z = RoHS Compliant Part.

² A -REEL suffix designates a 13-inch (1,000 units) tape-and-reel option.

NOTES

NOTES

Mouser Electronics

Authorized Distributor

Click to View Pricing, Inventory, Delivery & Lifecycle Information:

[Analog Devices Inc.:](#)

[ADM2483BRW](#) [ADM2483BRWZ-REEL](#) [ADM2483BRW-REEL](#) [ADM2483BRWZ](#) [EVAL-ADM2483EBZ](#)