



ENGLISH

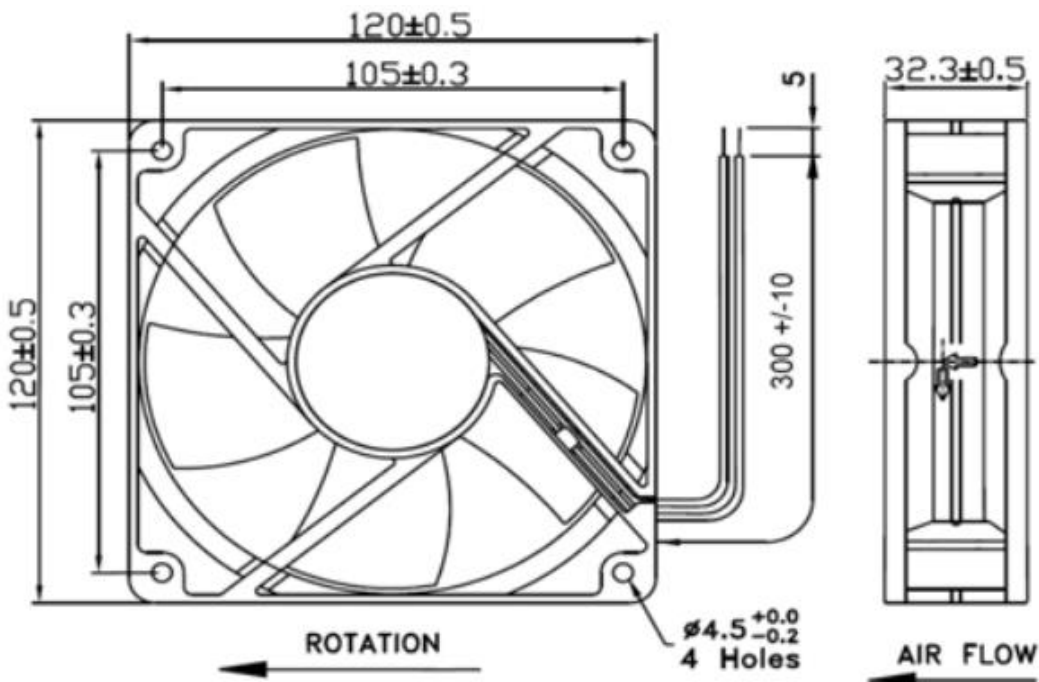
## Datasheet

# DC Axial Fan, 120 x 120 x 32mm, 204m<sup>3</sup>/h, 4.8W, 12 V dc (OD1232 Series)

RS Stock 619-6523



## Dimensions: (mm)





## Specifications

- Frame and Impeller
- PBT, UL94V-0 Thermoplastic
- Tachometer
- Locked Rotor Alarm
- MOTOR: Brushless DC, polarity protected, locked rotor protected (current limited), auto restart
- INSULATION RESISTANCE :Min. 10 M ohms at 500VDC
- LIFE EXPECTANCY (L10) :Ball Bearing 60,000 Hours
- Operating Temperature :-10C ~ +70C
- Safety Approvals: UL/CUL, TUV, CE

RS Part No.	Orion Part No.	Speed	Airflow	Noise	Volts	Voltage	Current	Connection Type
6196517	OD1232-12HB	2750	108	43	12	7.0~13.6	0.40	Wire
6196523	OD1232-12HB(4)*	2750	108	43	12	7.0~13.7	0.40	Wire
5415429	OD1232-12MB	2400	97	41	12	7.0~13.6	0.28	Wire
5415435	OD1232-24HB	2750	108	43	24	10~26	0.25	Wire
6196539	OD1232-24HB(4)*	2750	108	43	24	10~26	0.25	Wire