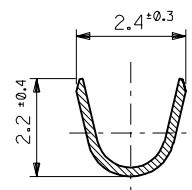
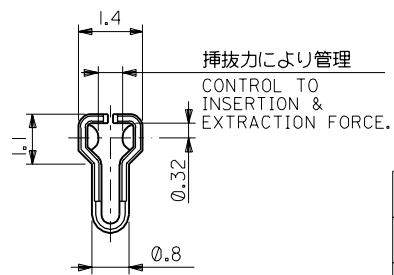
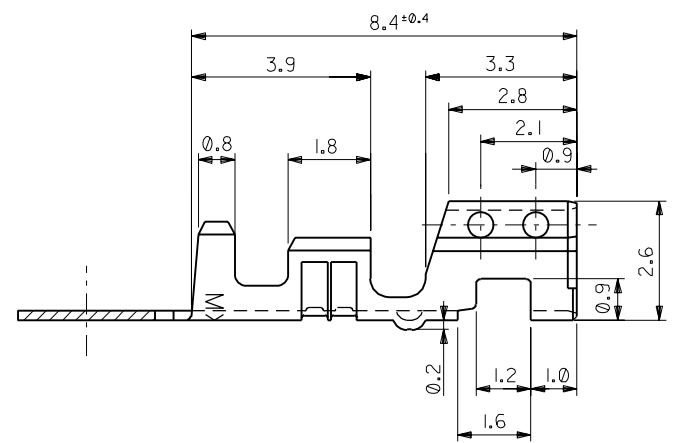


断面 A-A  
SECT. A-A



断面 B-B  
SECT. B-B



挿抜力により管理  
CONTROL TO  
INSERTION &  
EXTRACTION FORCE.

注記 NOTES:  
1. 適合ハウジング:  
APPLICABLE HOUSING: 51191-\*\*\*00

錫メッキ済リン青銅 PRE-TINNED PHOS-BRO.	50802-8100	バラ状 LOOSE
錫メッキ済リン青銅 PRE-TINNED PHOS-BRO.	50802-8000	連鎖状 CHAIN
錫メッキ済黄銅 PRE-TINNED BRASS	50802-9101	バラ状 LOOSE
錫メッキ済黄銅 PRE-TINNED BRASS	50802-9001	連鎖状 CHAIN
材料 MATERIAL	MATERIAL NO.	端子形状 FORM

EG4NO. DRWN: CHK: APPR:	EG3NO. DRWN: CHK: APPR:	EG2NO. DRWN: CHK: APPR:	EG1NO. DRWN: CHK: APPR:	RELEASED EG0NO. JC80766 DRWN: S.MATSUZAKI '98/4/9 CHK: S.KUNISHI '98/4/10 APPR: M.FUKUSHIMA '98/4/10
----------------------------------	----------------------------------	----------------------------------	----------------------------------	--

MATERIAL 材料	表参照 (t=0.203) SEE TABLE
FINISH 仕上り	—
WIRE RANGE 適用線径範囲	AWG #22 ~ #28 0.33 ~ 0.08mm <sup>2</sup>
INS. RANGE 被覆外径	φ1.15 ~ 1.9

GENERAL TOLERANCES: (UNLESS SPECIFIED) 一般公差	SCALE
10 UNDER 未満	DESIGN UNITS <input checked="" type="checkbox"/> mm <input type="checkbox"/> INCH
10 OVER 以上	PROJECTION <input type="checkbox"/> mm <input type="checkbox"/> INCH <input checked="" type="checkbox"/> mm ONLY
30 UNDER 未満	ANGLE 角度
30 OVER 以上	

MODEL NO. 50802-****	DIMENSIONS:	SHT	REV
DRAWN BY & DATE S.MATSUZAKI '98/4/9			
CHECKED BY & DATE S.KUNISHI '98/4/10			
APPROVED BY & DATE M.FUKUSHIMA '98/4/10			
CAD FILENAME	MATERIAL NO.	DRAWING NO.	SHEET NO.
50802002.S01	50802-****	SD-50802-002	1/1

TITLE: 2.5 WIRE TO BOARD CONN. CRIMP RECEPTACLE	MATERIAL NO. DRAWING NO.	SHEET NO.
	50802-**** SD-50802-002	1/1
MOLEX INCORPORATED		
THIS DRAWING CONTAINS INFORMATION THAT IS PROPRIETARY TO MOLEX INCORPORATED AND SHOULD NOT BE USED WITHOUT WRITTEN PERMISSION.		
SIZE B		