



Main

Range of product	Phaseo Dedicated
Product or component type	Power supply
Power supply type	Regulated switch mode
Rated power in W	100 W
Input voltage	120...370 V DC 100...240 V AC single phase
Output voltage	12 V DC
Power supply output current	8.3 A
Operating position	Any position
Vibration resistance	3.5 mm (f = 5...9 Hz) conforming to EN/IEC 61131-2 2 gn (f = 9...150 Hz) conforming to EN/IEC 61131-2
Name of test	Surge conforming to EN/IEC 61000-4-5 Primary outage conforming to IEC 61000-4-11 Emission conforming to EN/IEC 61000-6-3 Conducted/Radiated emissions conforming to EN/IEC 55011 Conducted/Radiated emissions conforming to EN 55022 Class B Rapid transient conforming to IEC 61000-4-4 level 3 Radiated electromagnetic field conforming to EN/IEC 61000-4-3 level 3 Induced electromagnetic field conforming to EN/IEC 61000-4-6 level 3 Electrostatic discharges conforming to EN/IEC 61000-4-2 level 3 Conducted interference conforming to EN 61000-4-8 level 4

Complementary

Input voltage limits	85...264 V
Network frequency limits	47...63 Hz
Inrush current	<= 100 A at 230 V AC <= 50 A at 115 V AC
Cos phi	0.7...0.95
Efficiency	> 80 %
Power dissipation in W	25 W
Current consumption	1.7 A at 100 V 0.7 A at 240 V
Input protection type	Integrated fuse (not interchangeable)
Output voltage limits	10.8...13.2 V
Line and load regulation	+/- 3 %
Holding time	>= 40 ms at 240 V >= 10 ms at 100 V
Output protection type	Thermal Against short-circuits, protection technology: automatic reset Against overvoltage, protection technology: tripping if U > 1.25 x Un Against overload, protection technology: 1.1...1.5 x In
Connections - terminals	Screw type terminals for output connection, connection capacity: 4 x 4 mm ² AWG gauge12 Screw type terminals for input connection, connection capacity: 2 x 4 mm ² AWG gauge12 Screw type terminals for ground connection, connection capacity: 1 x 4 mm ² AWG gauge12
Marking	CE

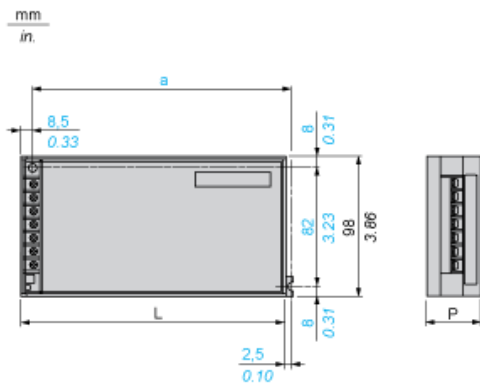
The information provided in this documentation contains general descriptions and/or technical characteristics of the performance of the products contained herein. This documentation is not intended as a substitute for and is not to be used for determining suitability or reliability of these products for specific user applications. It is the duty of any such user or integrator to perform the appropriate and complete risk analysis, evaluation and testing of the products with respect to the relevant specific application or use thereof. Neither Schneider Electric Industries SAS nor any of its affiliates or subsidiaries shall be responsible or liable for misuse of the information contained herein.

Mounting support	Panel Reversible mounting bracket
Output coupling	Parallel Series
Overvoltage category	II
Meantime between failure (MTBF)	> 100000 h at 40 °C
Status LED	1 LED green for output voltage
Product weight	0.64 kg

Environment

Product certifications	CCSAus CSA 22-2 No 60950-1 C-Tick TUV 60950-1 UL 508
Environmental characteristic	Low frequency harmonic currents conforming to EN/IEC 61000-3-2 Safety conforming to SELV Safety conforming to EN/IEC 60950-1 EMC conforming to EN/IEC 61000-6-2 EMC conforming to EN 61000-6-3 EMC conforming to EN 50082-2 EMC conforming to EN 50081-1
IP degree of protection	IP20 conforming to EN/IEC 60950
Ambient air temperature for operation	45...60 °C with derating factor 0...45 °C without derating factor
Ambient air temperature for storage	-25...85 °C
Relative humidity	20...90 %
Class of protection against electric shock	Class I conforming to VDE 0106-1
Pollution degree	2
Dielectric strength	500 V between output and ground 3000 V between input and output 1500 V between input and ground

Dimensions



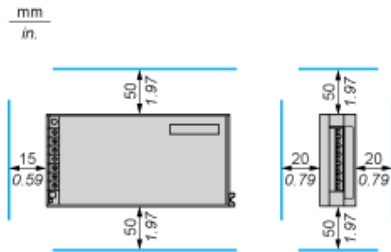
Dimensions in mm

a	L	P
194	200	38

Dimensions in in.

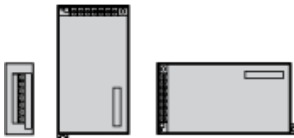
a	L	P
7.64	7.87	1.50

Clearance



Mounting Way

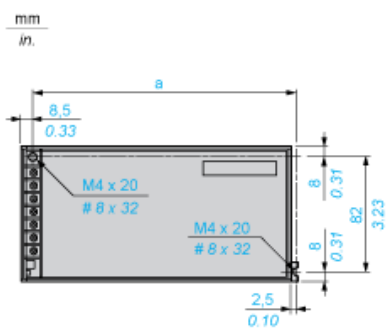
Mounting on Vertical Plane



Mounting on Horizontal Plane



Direct Mounting by 2 M4 x 20 Screws



Dimensions in mm

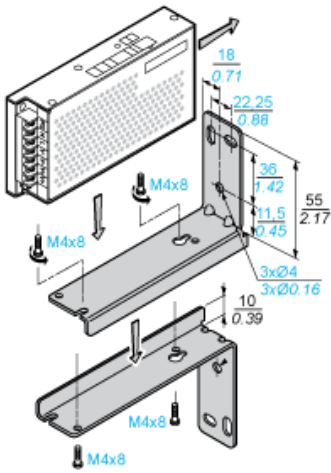
a
194

Dimensions in in

a
7.64

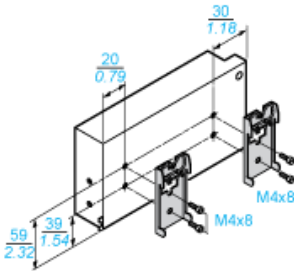
Mounting on the Back on ABL 1A01 Reversible Bracket by Three 4 mm Diameter Screws

mm
in.

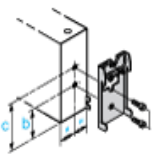


Mounting on ABL 1A02 Clip-on Mounting on 35 mm Rail

mm
in.



Mounting by the Back



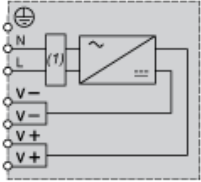
Dimensions in mm

b	c
38	58

Dimensions in in.

b	c
1.50	2.28

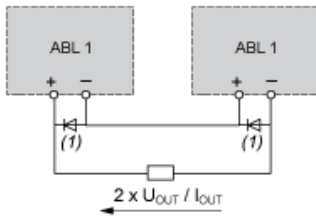
Internal Wiring Diagram



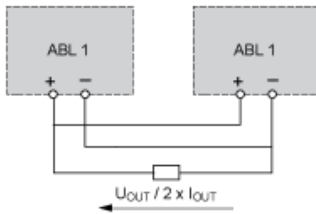
(1) Filter

Series or Parallel Connection

Series Connection



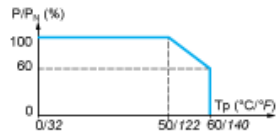
Parallel Connection



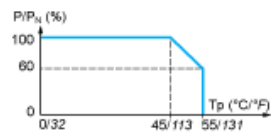
(1) 15 A/100 V Schottky diode

Derating Curves

Mounting on Vertical Plane



Mounting on Horizontal Plane



Load Limits Curve

