

IEC Appliance Inlet C14 or C18 with Fuseholder 1- or 2-pole



1062: Design 1 + 2
protection class 1 only

1062: design 6 + 7
protection class 1 + 2



Description

- Panel Mount:
Screw-on from front side, Appliance Inlet, protection class I or II, Fuseholder for fuse-links 5 x 20 mm
- Solder terminals or quick connect terminals
- Protection class II only with design 6 + 7 possible

Approvals

- UL File Number: E93617
- CSA File Number: 27324

Characteristics

- The fuse drawer "Fingergrip" can be removed by hand

Weblinks

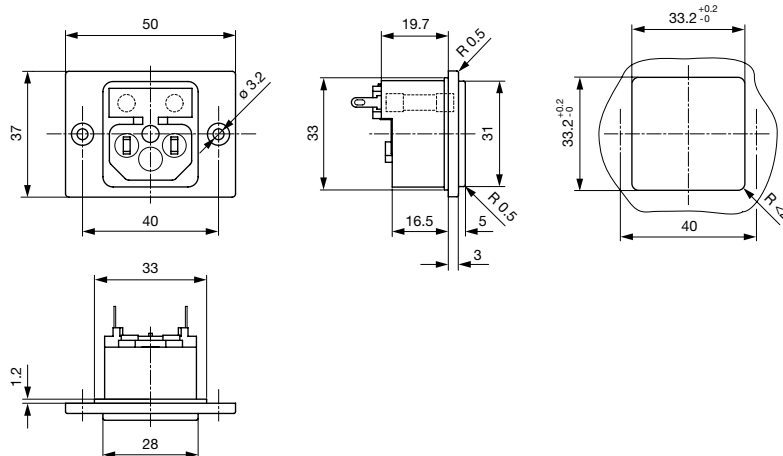
[pdf-datasheet](#), [html-datasheet](#), [General Product Information](#), [Approvals](#), [CE declaration of conformity](#), [RoHS](#), [CHINA-RoHS](#), [REACH](#), [Mating Connectors](#), [e-Shop](#), [SCHURTER-Stock-Check](#), [Distributor-Stock-Check](#), [CAD-Drawings](#), [Accessories](#), [Detailed request for product](#)

Technical Data

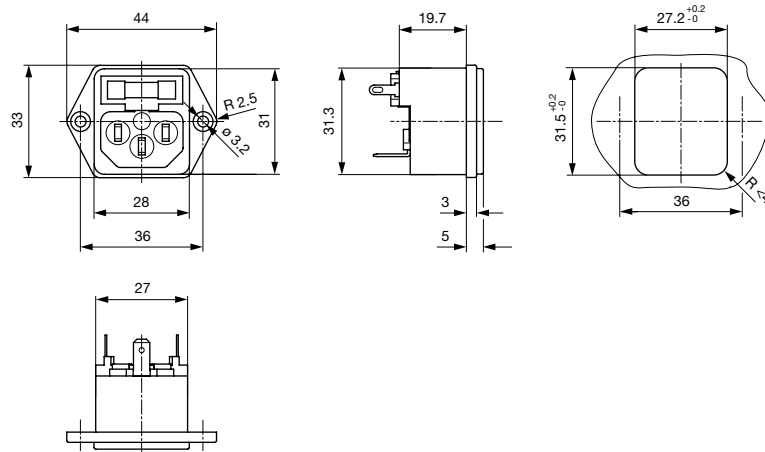
Ratings IEC	10A / 250VAC; 50Hz
Ratings UL/CSA	10A / 250VAC; 60Hz
Dielectric Strength	> 3kVAC between L-N > 1.5kVAC between L/N-PE (1 min/50Hz)
Allowable Operation Temp.	-25°C to 70°C
Degree of Protection	from front side IP 20 acc. to IEC 60529
Protection Class	Suitable for appliances with protection class I or II acc. to IEC 61140
Terminal	Solder terminals or quick connect terminals
Material: Housing	PA6, black / grey / white, UL 94V-0

Appliance Inlet	C14 / C18 acc. to IEC 60320 UL 498, CSA C22.2 no. 42 (for cold conditions) pin-temperature 70 °C, 10A, Protection Class I or II
Fuseholder	1 or 2 pole, acc. to IEC 60127-6, for fuse-links 5 x 20mm
Power Acceptance @ Ta > 23°C	Admissible power acceptance at higher ambient temperature see derating curves

Dimensions



Length of the terminal please find at the order code configuration table



Length of the terminal please find at the order code configuration table

Config. Code

1062 - H - A B C N - D - E G O

The characters are placeholders for the correspondingly keys of selections from the key tables.

1062 - **H** - A B C N - D - E G O = Type

Type	Configuration key
protection class II	B
protection class I	X

1062 - H - **A** B C N - D - E G O = Terminals

Terminal L	Configuration key
connection to fuse holder	B

1062 - H - A **B** C N - D - E G O = Terminals

Terminal N	Configuration key
short solder terminal (L = 4.8 mm)	2
long solder terminal (L = 8.5 mm)	3
Blade terminal (4.8 x 0.8 mm)	8
Blade terminal (6.3 x 0.8 mm)	9
connection to fuse holder	B

Symbols similar as in table A

1062 - H - A B **C** N - D - E G O = Terminals

Terminal Ground	Configuration key
without terminal	0
short solder terminal (L = 4.8 mm)	2
long solder terminal (L = 8.5 mm)	3
Blade terminal (4.8 x 0.8 mm)	8

Symbols similar as in table A

Terminal Ground	Configuration key
Blade terminal (6.3 x 0.8 mm)	9

Symbols similar as in table A

1062 - H - A B C **N** - D - E G O = Terminal Fuseholder

Terminal Fuseholder	Configuration key
solder terminal	1

1062 - H - A B C N - **D** - E G O = Color

Color	Configuration key
Black	A
Grey	B
White	D

1062 - H - A B C N - D - **E** G O = Style

Style	Configuration key
flange with countersunk holes	1
flange with through holes	2
flange with countersunk holes (special type)	6
flange with through holes (special type)	7

1062 - H - A B C N - D - E **G** O = Mass S

Mass "s"	Configuration key	Features	Configuration key
00		dead cover	1
		holder for 1 or 2 fuses (text legible, when inlet on top)	4
		holder for 1 or 2 fuses (text legible, when inlet on bottom)	5

1062 - H - A B C N - D - E G **O** = Features

All Variants

Config. Code	Description	Order Number
1062-X-B221-A-6004	1062, IEC Power Entry Module C14, 70°C, version: protection class I, L: connection to fuse holder, N: short solder terminal (L = 4.8 mm), ground: short solder terminal (L = 4.8 mm), fuseholder: solder terminal, color: Black, design: flange with countersunk holes (special type), dimension S: 00, features: holder for 1 or 2 fuses (text legible, when inlet on top), not used	4304.6011
1062-X-B881-A-1004	1062, IEC Power Entry Module C14, 70°C, version: protection class I, L: connection to fuse holder, N: Blade terminal (4.8 x 0.8 mm), ground: Blade terminal (4.8 x 0.8 mm), fuseholder: solder terminal, color: Black, design: flange with countersunk holes, dimension S: 00, features: holder for 1 or 2 fuses (text legible, when inlet on top),	4304.6013
1062-X-B991-A-1004	1062, IEC Power Entry Module C14, 70°C, version: protection class I, L: connection to fuse holder, N: Blade terminal (6.3 x 0.8 mm), ground: Blade terminal (6.3 x 0.8 mm), fuseholder: solder terminal, color: Black, design: flange with countersunk holes, dimension S: 00, features: holder for 1 or 2 fuses (text legible, when inlet on top),	4304.6014
1062-X-BB21-A-1004	1062, IEC Power Entry Module C14, 70°C, version: protection class I, L: connection to fuse holder, N: connection to fuse holder, ground: short solder terminal (L = 4.8 mm), fuseholder: solder terminal, color: Black, design: flange with countersunk holes, dimension S: 00, features: holder for 1 or 2 fuses (text legible, when inlet on top),	4304.6015
1062-X-BB21-A-6004	1062, IEC Power Entry Module C14, 70°C, version: protection class I, L: connection to fuse holder, N: connection to fuse holder, ground: short solder terminal (L = 4.8 mm), fuseholder: solder terminal, color: Black, design: flange with countersunk holes (special type), dimension S: 00, features: holder for 1 or 2 fuses (text legible, when inlet on top), not used	4304.6017
1062-X-BB81-A-1004	1062, IEC Power Entry Module C14, 70°C, version: protection class I, L: connection to fuse holder, N: connection to fuse holder, ground: Blade terminal (4.8 x 0.8 mm), fuseholder: solder terminal, color: Black, design: flange with countersunk holes, dimension S: 00, features: holder for 1 or 2 fuses (text legible, when inlet on top),	4304.6019
1062-X-BB91-A-1004	1062, IEC Power Entry Module C14, 70°C, version: protection class I, L: connection to fuse holder, N: connection to fuse holder, ground: Blade terminal (6.3 x 0.8 mm), fuseholder: solder terminal, color: Black, design: flange with countersunk holes, dimension S: 00, features: holder for 1 or 2 fuses (text legible, when inlet on top),	4304.6020

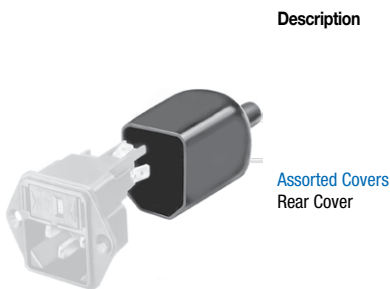
The listed variants should be available from stock Other versions on request www.schurter.com/contact

Most Popular.

Availability for all products can be searched real-time: <http://www.schurter.com/en/Stock-Check/Stock-Check-SCHURTER>

Packaging unit 200 Pcs

Accessories



Mating Outlets/Connectors

Category / Description

[Appliance Outlet Overview complete](#)

IEC Appliance Outlet F, Screw-on Mounting, Front Side, Solder Terminal	4787
IEC Appliance Outlet F, Snap-in Mounting, Front Side, Solder or Quick-connect Terminal	4788
IEC Appliance Outlet F or H, Screw-on Mounting, Front Side, Solder, PCB or Quick-connect Terminal	5091

[Appliance Outlet further types to 1062](#)

[Connector Overview complete](#)

IEC Connector C13, Rewireable, Straight	4782
IEC Connector C13, Rewireable, Straight	4022
IEC Connector C13, Rewireable, Angled	4785
IEC Connector C13, Rewireable, Angled	4300-06
IEC Connector C13, Rewireable, Angled	4012

[Connector further types to 1062](#)

[Interconnection Cord Overview complete](#)

Interconnection Cord C13, 10 A	6007.0212
Interconnection Cord C13, 10 A	6007.0214

[Interconnection Cord further types to 1062](#)

[Power Cord Overview complete](#)

Power Supply Cord with IEC plug C14, stripped end	6007.0204
---	-----------

[Power Cord further types to 1062](#)

[Power Supply Cord Overview complete](#)

EU Power Supply Cord with IEC Connector C13, straight	6004.0215
EU Power Supply Cord with IEC Connector C13, straight	6003.0215
Power Supply Cord with IEC Connector C13 angled, stripped end	6000.0224
Power Supply Cord with IEC Connector C13 straight, stripped end	6000.0214
UK Power Supply Cord with IEC Connector C13, straight	6044.0215

[Power Supply Cord further types to 1062](#)

[Power Supply or Interconnection Cord Overview complete](#)

UK Power Supply Cord with stripped ends	6044.0204
Diverse Power Supply and Interconnection Cords 10 A	6045.0114
Diverse Power Supply and Interconnection Cords 10 A	6003.0205
Diverse Power Supply and Interconnection Cords 10 A	6026.0205
Diverse Power Supply and Interconnection Cords 10 A	6049.0007

[Power Supply or Interconnection Cord further types to 1062](#)