

FEATURES

- Protected from Overvoltage Line Faults to $\pm 60\text{V}$
- ESD Protection to IEC-1000-4-2 Level 4
 - ±15kV Air Gap Test
 - ±8kV Contact Mode Test
- ISO 11898 Compatible
- High Input Impedance Supports Up to 256 Nodes
- Controlled Slew Rates for EMI Emissions Control
- High Impedance Outputs When Off or Powered Down
- Short-Circuit Protection On All Outputs
- Thermal Shutdown Protection
- Pin Compatible with Philips PCA82C251

APPLICATIONS

- Industrial Control Data Networks
- Automotive Systems
- HVAC Controls

DESCRIPTION

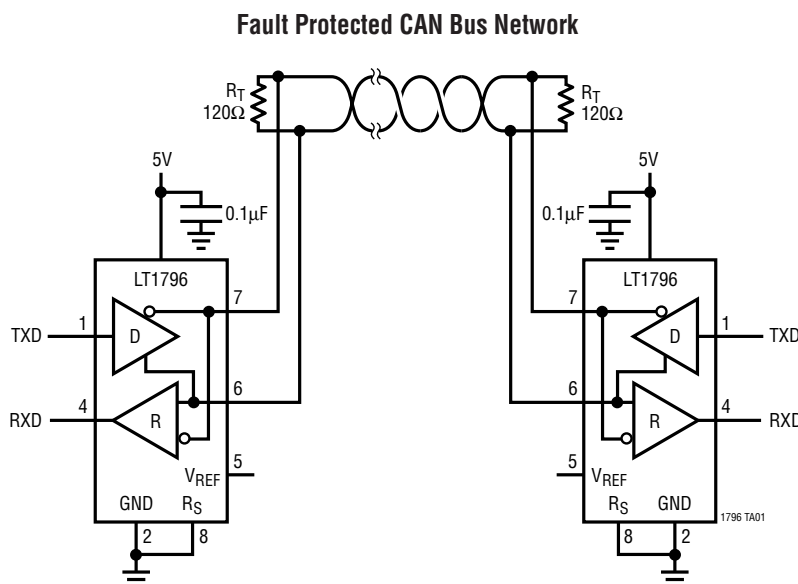
The LT[®]1796 CAN transceiver provides built-in fault tolerance to survive in industrial and automotive environments. Discrete protection devices are not needed. Bus interface pins can withstand voltage faults up to $\pm 60\text{V}$ with respect to ground with no damage to the device. Faults may occur while the transceiver is active, shut down or powered off. On-chip ESD protection withstands up to $\pm 15\text{kV}$ air discharges and $\pm 8\text{kV}$ contact mode discharges tested per IEC-1000-4-2. Loss of power or ground connections does not damage the IC.

The circuit operates with data rates up to 125kbaud. A slew control pin allows control of transmitted data pulse edges to control EMI and reflection problems on imperfectly terminated lines. High output current drive allows the use of inexpensive PVC cable with impedance as low as 72Ω . The $100\text{k}\Omega$ input impedance allows up to 256 transceivers per data network.

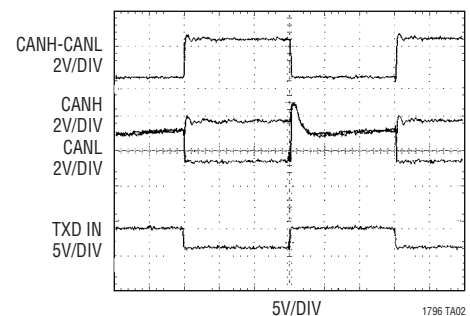
The LT1796 is available in 8-lead PDIP and SO packages.

LT, LTC and LT are registered trademarks of Linear Technology Corporation.

TYPICAL APPLICATION



125kbps CANH and CANL Driver Output



ABSOLUTE MAXIMUM RATINGS

(Note 1)

Supply Voltage (V_{CC})	44V
R_S Slope Control Input Voltage	-0.3V to 44V
V_{REF} Reference Output Pin	-0.3V to 7V
Driver Input Voltage	-0.3V to 44V
CANH, CANL Data Line Pins	-80V to 80V
Receiver Output Voltages	-0.3V to 7V
Operating Temperature Range	
LT1796C	0°C to 70°C
LT1796I	-40°C to 85°C
Storage Temperature Range	-65°C to 150°C
Lead Temperature (Soldering, 10 sec)	300°C

PACKAGE/ORDER INFORMATION

TOP VIEW

N8 PACKAGE 8-LEAD PDIP S8 PACKAGE 8-LEAD PLASTIC SO

$T_{JMAX} = 150^{\circ}C, \theta_{JA} = 130^{\circ}C/W$ (N8)
 $T_{JMAX} = 150^{\circ}C, \theta_{JA} = 150^{\circ}C/W$ (S8)

ORDER PART NUMBER

LT1796CN8
 LT1796CS8
 LT1796IN8
 LT1796IS8

S8 PART MARKING

1796
 1796I

Consult LTC Marketing for parts specified with wider operating temperature ranges.

DC ELECTRICAL CHARACTERISTICS

The ● denotes the specifications which apply over the full operating temperature range, otherwise specifications are at $T_A = 25^{\circ}C$. $V_{CC} = 4.75V$ to $5.25V$, $V_{RS} = 0V$ unless otherwise noted.

SYMBOL	PARAMETER	CONDITIONS	MIN	TYP	MAX	UNITS
V_{CANH}	CANH Output Voltage	$V_{TXD} = 0V$, No Load	● 3.8	4.4	5.0	V
		$V_{TXD} = 0V, R_L = 60\Omega$	● 2.8	3.5	4.6	V
V_{CANL}	CANL Output Voltage	$V_{TXD} = 0V$, No Load	● 0	0.5	0.9	V
		$V_{TXD} = 0V, R_L = 60\Omega$	● 0	1.3	1.6	V
V_{OD}	Dominant State Differential Output Voltage	$V_{TXD} = 0V$, No Load, $V_{CC} = 4.75V$	● 3.0	3.6	5.0	V
		$V_{TXD} = 0V, R_L = 60\Omega, V_{CC} = 4.75V$	● 1.5	2.0	4.2	V
		$V_{TXD} = 0V, R_L = 36\Omega, V_{CC} = 4.75V$	● 1.2	1.7	4.2	V
V_{REC}	Recessive State Differential Output Voltage	$V_{TXD} = 5V, R_L = 60\Omega$	● -10	0	10	mV
V_{CMR}	Recessive State Common Mode Output Voltage	$V_{TXD} = 5V, R_L = 60\Omega, V_{CC} = 5V$	● 2.7	3	3.5	V
V_{CMD}	Dominant State Common Mode Output Voltage	$R_L = 60\Omega, V_{CC} = 5V$	● 2	2.5	3	V
V_{IH}	TXD Input High Voltage		● 2.8			V
V_{IL}	TXD Input Low Voltage		●		2	V
I_{IN1}	TXD Input Current	$0 < V_{TXD} < V_{CC}$	● -5		5	μA
I_{SCH}	CANH Short-Circuit Current, Dominant Mode	$V_{CANH} = 0V, V_{CC} = 5.25V$	● -250		-60	mA
		$V_{CANH} = -36V, V_{CC} = 5.25V$	● -10	-1	0	mA
		$V_{CANH} = -60V, V_{CC} = 5.25V$	● -10	-1	0	mA
		$V_{CANH} = 60V, V_{CC} = 5.25V$	● 0	1	10	mA
I_{SCL}	CANL Short-Circuit Current, Dominant Mode	$V_{CANL} = 5V, V_{TXD} = 0V, V_{CC} = 5.25V$	● 60		250	mA
		$V_{CANL} = 36V, V_{TXD} = 0V, V_{CC} = 5.25V$	● 0	1	10	mA
		$V_{CANL} = 60V, V_{TXD} = 0V, V_{CC} = 5.25V$	● 0	1	10	mA
		$V_{CANL} = -60V, V_{TXD} = 0V, V_{CC} = 5.25V$	● -10	-1	0	mA
R_{IND}	Differential Input Resistance	$V_{TXD} = 5V, -7V < V_{CANH}, V_{CANL} < 12V$	● 140	240	350	k Ω
	CANH, CANL Input Resistance	$V_{TXD} = 5V, -7V < V_{CANH}, V_{CANL} < 12V$	● 70	120	175	k Ω
	Input Fault Current (CANH, CANL)	$V_{RS} = 5V, -60V < V_{CANH}, V_{CANL} < 60V$	● -3		3	mA
		$V_{TXD} = 5V, -60V < V_{CANH}, V_{CANL} < 60V$	● -3		3	mA
		$V_{CC} = 0V, -60V < V_{CANH}, V_{CANL} < 60V$	● -3		3	mA

DC ELECTRICAL CHARACTERISTICS The ● denotes the specifications which apply over the full operating temperature range, otherwise specifications are at $T_A = 25^\circ\text{C}$. $V_{CC} = 4.75\text{V}$ to 5.25V , $V_{RS} = 0\text{V}$ unless otherwise noted.

SYMBOL	PARAMETER	CONDITIONS	MIN	TYP	MAX	UNITS	
V_{TH}	Differential Input Threshold Voltage for Receiver	$V_{RS} = 0\text{V}, -7\text{V} < V_{CM} < 12\text{V}$	●	0.5	0.9	V	
		$V_{RS} = 5\text{V}, -7\text{V} < V_{CM} < 12\text{V}$	●	0.5	0.9	V	
ΔV_{TH}	Receiver Input Hysteresis	$-7\text{V} < V_{CM} < 12\text{V}$		70		mV	
V_{OH}	Receiver Output High Voltage	$V_{CC} = 4.75\text{V}, I_O = -400\mu\text{A}, V_{ID} = 500\text{mV}$	●	3	3.6	V	
V_{OL}	Receiver Output Low Voltage	$V_{CC} = 4.75\text{V}, I_O = 1.6\text{mA}, V_{ID} = 900\text{mV}$	●	0.15	0.4	V	
I_{SCR}	Receiver Short-Circuit Current	$0\text{V} < V_O < V_{CC}, V_{CC} = 5.25\text{V}$	●	7	20	85	mA
V_{REF}	Reference Output Voltage	$-100\mu\text{A} < I_{REF} < 100\mu\text{A}$	●	2.25	2.5	2.7	V
V_{REFSC}	Reference Output Short-Circuit Current	$0 < V_{REF} < V_{CC}$	●	-20		20	mA
V_{RSSB}	R_S Pin Standby Threshold	$V_{CC} = 5\text{V}$	●	2.5	2.8	4	V
I_{RS}	R_S Input Current	$V_{RS} = 5\text{V}, V_{CC} = 5\text{V}$	●		0.1	10	μA
		$V_{RS} = 0\text{V}, V_{CC} = 5\text{V}$	●	-270	-200	-140	μA
		$R_S = 47\text{k}, V_{CC} = 5\text{V}$	●	-90	-60	-40	μA
I_{CC}	Supply Current	Dominant	●		4.3	7	mA
		Recessive	●		3.8	7	mA
		Standby	●		0.8	1.5	mA

SWITCHING CHARACTERISTICS The ● denotes the specifications which apply over the full operating temperature range. $V_{RS} = 0\text{V}$ unless otherwise noted. (Note 2)

SYMBOL	PARAMETER	CONDITIONS	MIN	TYP	MAX	UNITS	
t_{BIT}	Minimum Bit Time	(Note 3)	●		8	μs	
F_{MAX}	Maximum Data Rate	(Note 3)	●	125		kbps	
t_{TXDON}	Driver Input to Bus Active	Figures 1, 2					
		$R_S = 0\text{k}$	●	300	500	ns	
		$R_S = 47\text{k}$	●	350	1000	ns	
t_{TXDOFF}	Driver Input to Bus Inactive	Figures 1, 2					
		$R_S = 0\text{k}$	●	500	1000	ns	
		$R_S = 47\text{k}$	●	600	1500	ns	
t_{LBON}	Loopback Delay Active	Figures 1, 3	●	0.6	1.5	μs	
t_{LBOFF}	Loopback Delay Inactive	Figures 1, 3	●	1.5	3	μs	
t_{RXDOFF}	Receiver Delay Off	Figures 1, 4	●	400	600	ns	
t_{RXDON}	Receiver Delay On	Figures 1, 4	●	300	600	ns	
$t_{RXDOFFSB}$	Receiver Delay Off, Standby	$V_{RS} = 4\text{V}$, Figures 1, 4	●	1.5	4	μs	
$t_{RXDONSB}$	Receiver Delay On, Standby	$V_{RS} = 4\text{V}$, Figures 1, 4	●	1	4	μs	
t_{WAKE}	Wake-Up Delay from Standby	Figures 1, 5	●	1	15	μs	
SR^+	Positive Slew Rate	$R_S = 0\text{k}$	●	5	12	65	V/ μs
		$R_S = 47\text{k}$	●	2	7	30	V/ μs
SR^-	Negative Slew Rate	$R_S = 0\text{k}$	●	5	36	65	V/ μs
		$R_S = 47\text{k}$	●	2	5	15	V/ μs

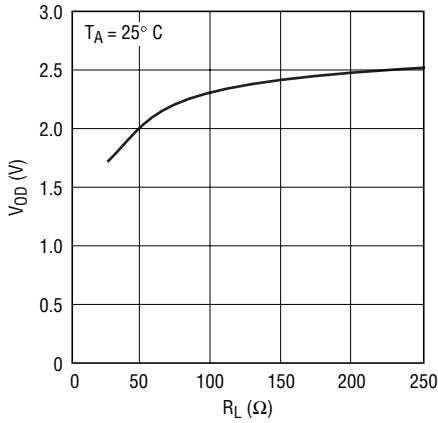
Note 1: Absolute Maximum Ratings are those values beyond which the life of the device may be impaired.

Note 2: Unless otherwise specified, testing done at $V_{CC} = 5\text{V}$, $T_A = 25^\circ\text{C}$.

Note 3: Bit time and data rate specifications are guaranteed by driver and receiver delay time measurements.

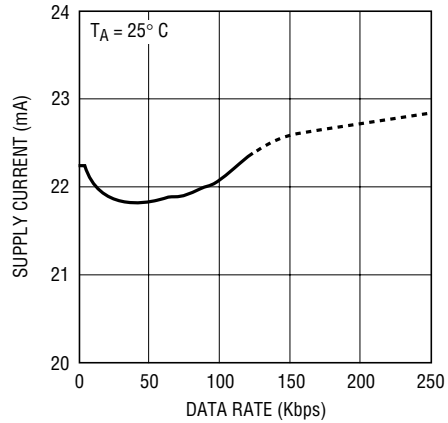
TYPICAL PERFORMANCE CHARACTERISTICS

Dominant State Bus Voltage vs R_L



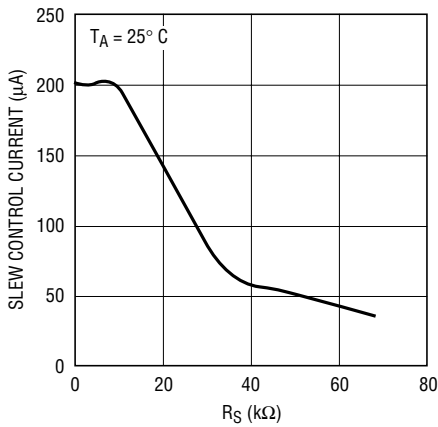
1796 G01

Supply Current vs Data Rate Transmitting, 50% Duty Cycle



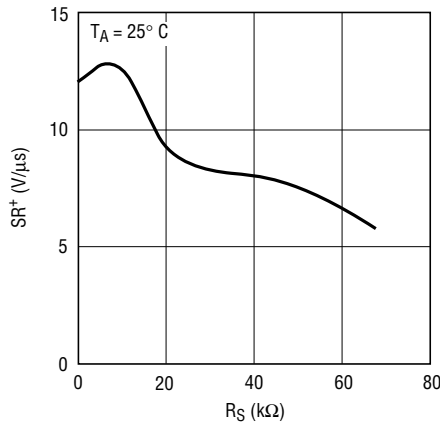
1796 G03

R_S Pin Current vs R_S



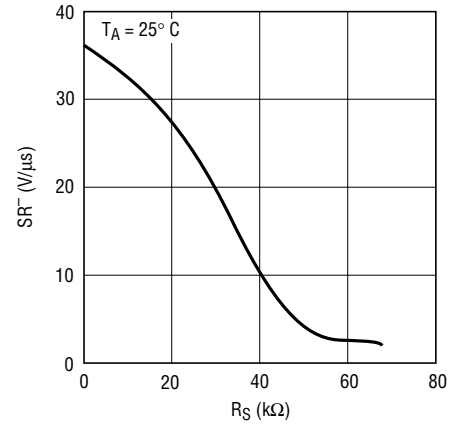
1796 G04

Positive Slew Rate vs R_S



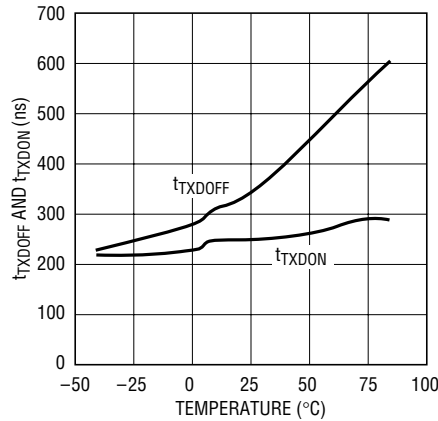
1796 G05

Negative Slew Rate vs R_S



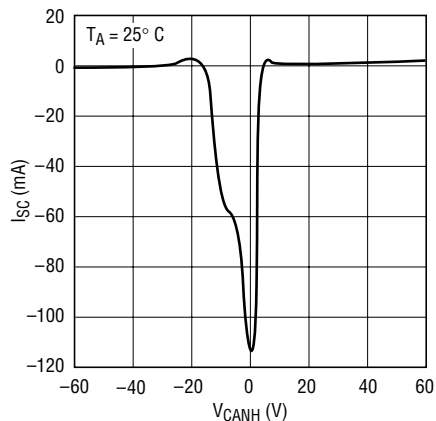
1796 G06

Transmitter Propagation Delay vs Temperature



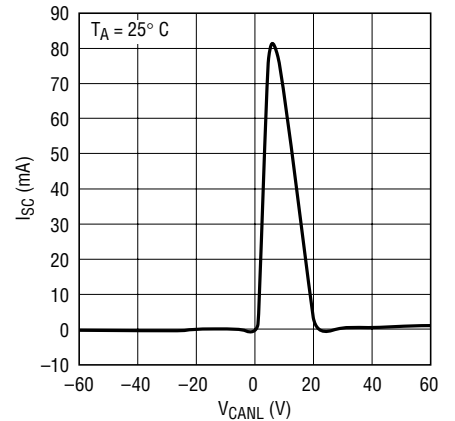
1796 G07

CANH Short-Circuit Current vs Voltage



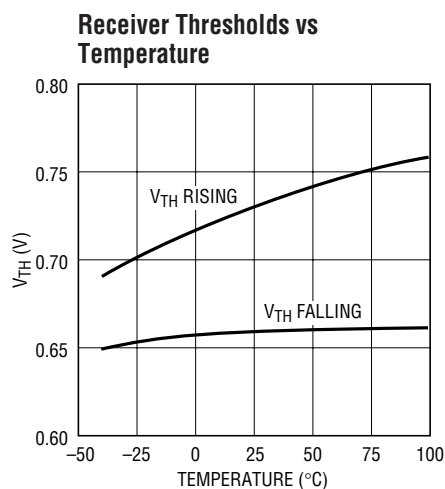
1796 G08

CANL Short-Circuit Current vs Voltage

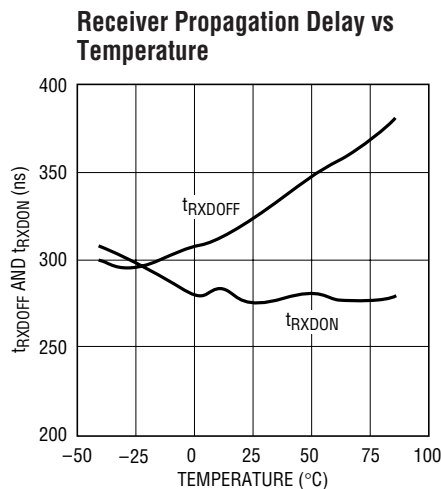


1796 G09

TYPICAL PERFORMANCE CHARACTERISTICS



1796 G10



1796 G11

PIN FUNCTIONS

TXD (Pin 1): Driver Input. Logic-level thresholds are set by V_{REF} . A logic input level higher than V_{REF} turns the driver outputs off, releasing control of the CANH and CANL lines. A logic input less than V_{REF} turns the driver outputs on, pulling CANH high and CANL low. An open TXD input will float high, turning the driver outputs off. The TXD input pin can withstand voltages from $-0.3V$ to $44V$ with no damage.

GND (Pin 2): Ground.

V_{CC} (Pin 3): Positive Supply Input. Normal operation is with a $4.75V$ to $5.25V$ supply. Operation with supplies up to $44V$ is possible with unterminated bus lines. Operation at high voltages with normally terminated busses will result in excessive power dissipation and activation of the thermal shutdown circuit. V_{CC} should be decoupled with a $0.1\mu F$ low ESR capacitor placed as close to the supply pin as possible.

RXD (Pin 4): Receiver TTL Level-Logic Output. A high level output indicates a recessive state (zero-volt differential) bus. A dominant state forces a low receiver output.

V_{REF} (Pin 5): Reference Output. The reference voltage sets the TXD input threshold and the recessive bus common mode voltage at CANH and CANL. V_{REF} is approximately $V_{CC}/2$ for low voltage operation. When $V_{CC} > 7.5V$, V_{REF} maintains a $3.5V$ level.

CANL (Pin 6): CAN Bus Low Data Line. The CANL pin is one input to the receiver and the low driver output. In the dominant state (TXD low), the driver pulls the CANL pin to within $1V$ of GND. In the recessive state (TXD high), the driver output stays high impedance. The CANL pin is protected from voltage faults from $-60V$ to $60V$ in dominant, recessive, standby or powered off modes. On-chip ESD protection meets IEC-1000-4-2 levels.

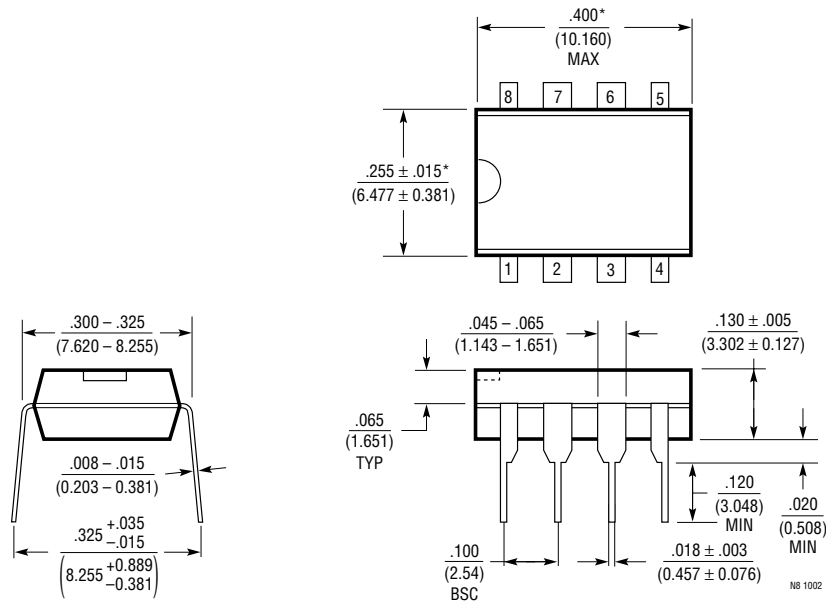
CANH (Pin 7): CAN Bus High Data Line. The CANH pin is one input to the receiver and the high driver output. In the dominant state (TXD low), the driver pulls the CANH pin to within $1V$ of V_{CC} . In the recessive state (TXD high), the driver output stays high impedance. The CANH pin is protected from voltage faults from $-60V$ to $60V$ in dominant, recessive, standby or powered off modes. On-chip ESD protection meets IEC-1000-4-2 levels.

R_S (Pin 8): Slope Control. This pin is a multifunction control pin. When R_S is high ($V_{RS} > 4V$), the circuit goes into a low power standby mode. In standby, the driver always stays in a high impedance (recessive) state. The receiver operates in a low power (slow) monitoring mode. Received data may be used to “wake-up” the system to full functionality. Full speed normal operation occurs if R_S is tied low through a resistance of less than $3k$. The current out of R_S will be limited to about $500\mu A$ in the low state. Controlling the current out of R_S with a resistor greater than $3k$ or by using a current source allows slew rate control of the data output onto CANH and CANL.

1796f

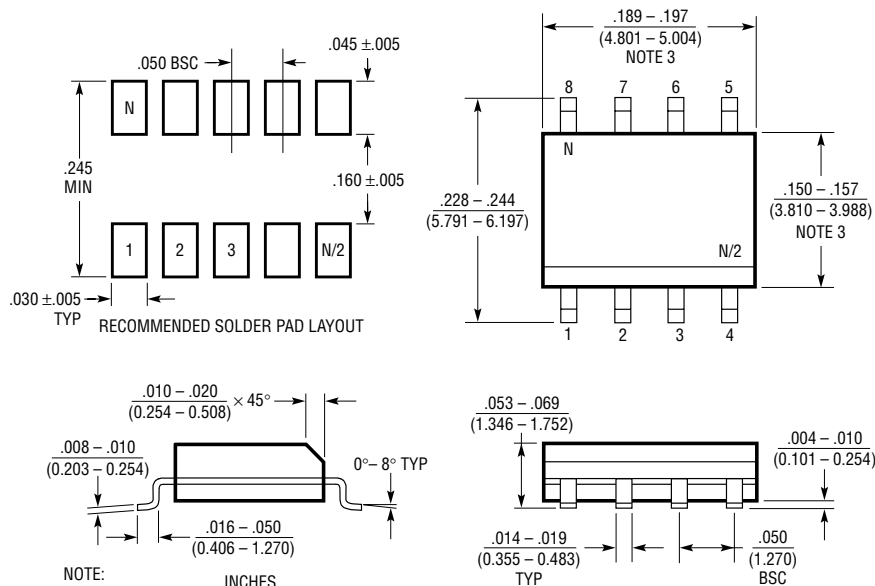
PACKAGE DESCRIPTION

N8 Package 8-Lead PDIP (Narrow .300 Inch) (Reference LTC DWG # 05-08-1510)



NOTE:
1. DIMENSIONS ARE $\frac{\text{INCHES}}{\text{MILLIMETERS}}$
*THESE DIMENSIONS DO NOT INCLUDE MOLD FLASH OR PROTRUSIONS.
MOLD FLASH OR PROTRUSIONS SHALL NOT EXCEED .010 INCH (0.254mm)

S8 Package 8-Lead Plastic Small Outline (Narrow .150 Inch) (Reference LTC DWG # 05-08-1610)

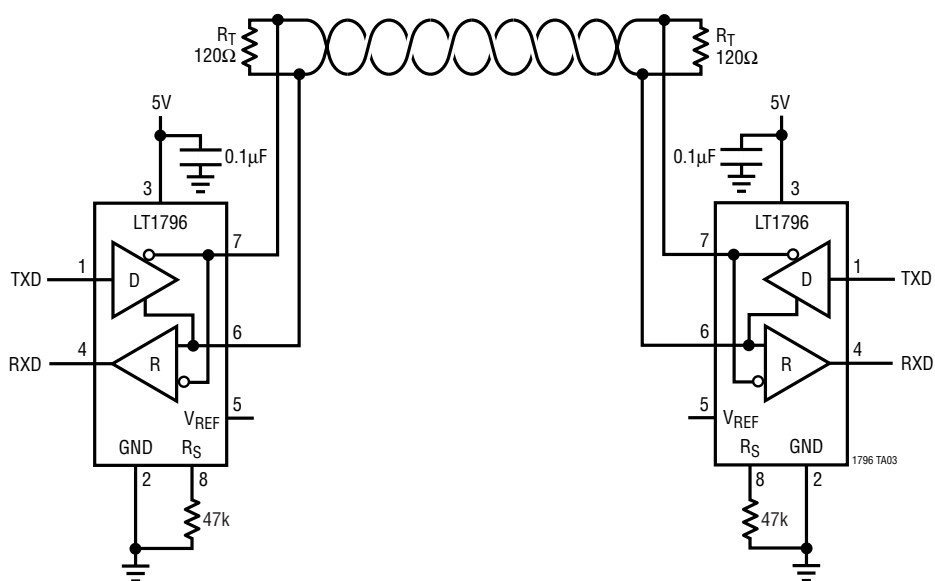


NOTE:
1. DIMENSIONS IN $\frac{\text{INCHES}}{\text{MILLIMETERS}}$
2. DRAWING NOT TO SCALE
3. THESE DIMENSIONS DO NOT INCLUDE MOLD FLASH OR PROTRUSIONS.
MOLD FLASH OR PROTRUSIONS SHALL NOT EXCEED .006* (0.15mm)

S08 0502

TYPICAL APPLICATION

Low EMI, Slew Limited CANBUS Network



RELATED PARTS

PART NUMBER	DESCRIPTION	COMMENTS
LTC485	Low Power RS485 Interface Transceiver	$I_{CC} = 300\mu\text{A Typ}$
LTC491	Differential Driver and Receiver Pair	$I_{CC} = 300\mu\text{A Typ}$
LTC1483	Ultralow Power RS485 Low EMI Transceiver	Controlled Driver Slew Rate
LTC1485	RS485 Differential Bus Transceiver	10Mbaud Operation
LTC1487	Ultralow Power RS485 with Low EMI, Shutdown and High Input Impedance	Up to 256 Transceivers On the Bus
LT1785/LT1791	60V Fault-Protected RS485/RS422 Transceivers	15kV ESD Protected