

# **W-LAN Module Data Sheet**

**Cypress Chipset**  
**for 802.11b/g/n**

**Sample P/N : LBWA1KL1FX-TEMP**

## The revision history of the product specification

Issued Date	Revision Code	Revision Page	Changed Items	Change Reason
Apr. 29, 2015	-	-	First Issue	
Sep. 17, 2015	A	P. 5 P.16	4. Dimensions, Marking and Terminal Configurations: Change Pin14 NC to GND Reference schematic	Correction
Oct. 29, 2015	B	P.7 P.8	4. Dimensions, Marking and Terminal Configurations, Add note of SDIO 4. Dimensions, Marking, and Terminal Configurations, Add pin 20, 27, 41 functional description. 6. Operating Condition, Add Specification Temperature Range	Addition
Mar. 18, 2016	C	P4	4. Dimensions, Marking and Terminal	Addition
		P8	6.1. Operating condition	Correction
		P12	10. DC/RF Characteristics	Correction
Oct 31, 2016	D	P8	6.1. Operating condition	Correction
Dec 14, 2016	E	P24	APPENDIX	Addition
Feb 9, 2017	F	P16	12. Reference Circuit	Correction
Feb 28, 2017	G		IC Part Number	Changed

## TABLE OF CONTENTS

1. Scope .....	3
2. Part Number .....	3
3. Block Diagram .....	3
4. Dimensions, Marking and Terminal Configurations .....	4
5. Rating .....	8
6. Operating Condition .....	8
6.1. Operating condition .....	8
6.2. Power Up Sequence.....	8
7. Digital I/O Requirements .....	9
8. External LPO Specification.....	9
9. Interface Timing.....	10
9.1. SDIO Timing (Default Mode) .....	10
9.2. SDIO Timing (High Speed Mode).....	11
10. DC/RF Characteristics.....	12
10.1. DC/RF Characteristics for IEEE802.11b .....	12
10.2. DC/RF Characteristics for IEEE802.11g .....	13
10.3. DC/RF Characteristics for IEEE802.11n .....	14
11. Land pattern.....	15
12. Reference Circuit.....	16
13. Tape and Reel Packing .....	17
14. NOTICE .....	20
14.1. Storage Conditions: .....	20
14.2. Handling Conditions: .....	20
14.3. Standard PCB Design (Land Pattern and Dimensions): .....	20
14.4. Notice for Chip Placer:.....	20
14.5. Soldering Conditions: .....	21
14.6. Cleaning:.....	21
14.7. Operational Environment Conditions: .....	21
14.8. Input Power Capacity: .....	22
15. PRECONDITION TO USE OUR PRODUCTS.....	23

Please be aware that an important notice concerning availability, standard warranty and use in critical applications of Murata products and disclaimers thereto appears at the end of this specification sheet.

**1. Scope**

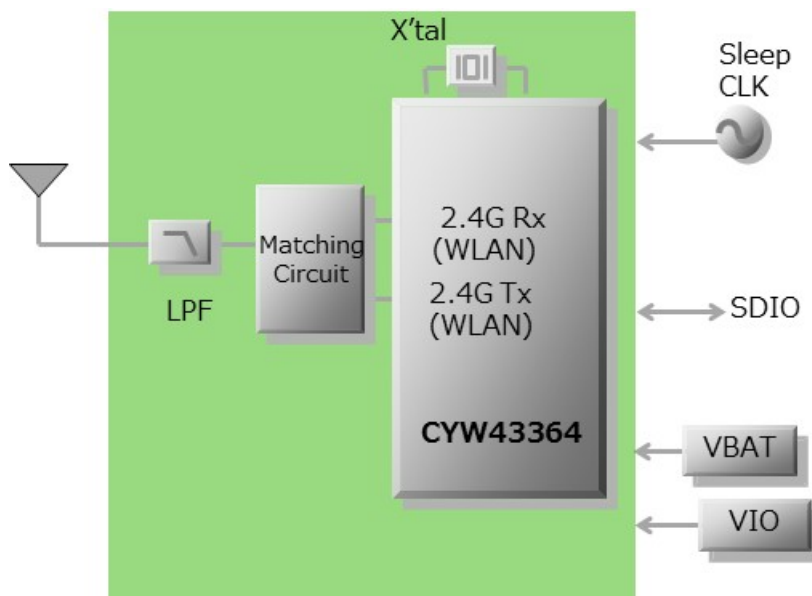
This specification is applied to the IEEE802.11b/g/n W-LAN module.

- Interface : SDIO (WLAN)
- IC/Firmware : Cypress/CYW43364
- Reference Clock : Reference clock is embedded.
- MSL : Level 3
- RoHS : This module is compliant with the RoHS directive.

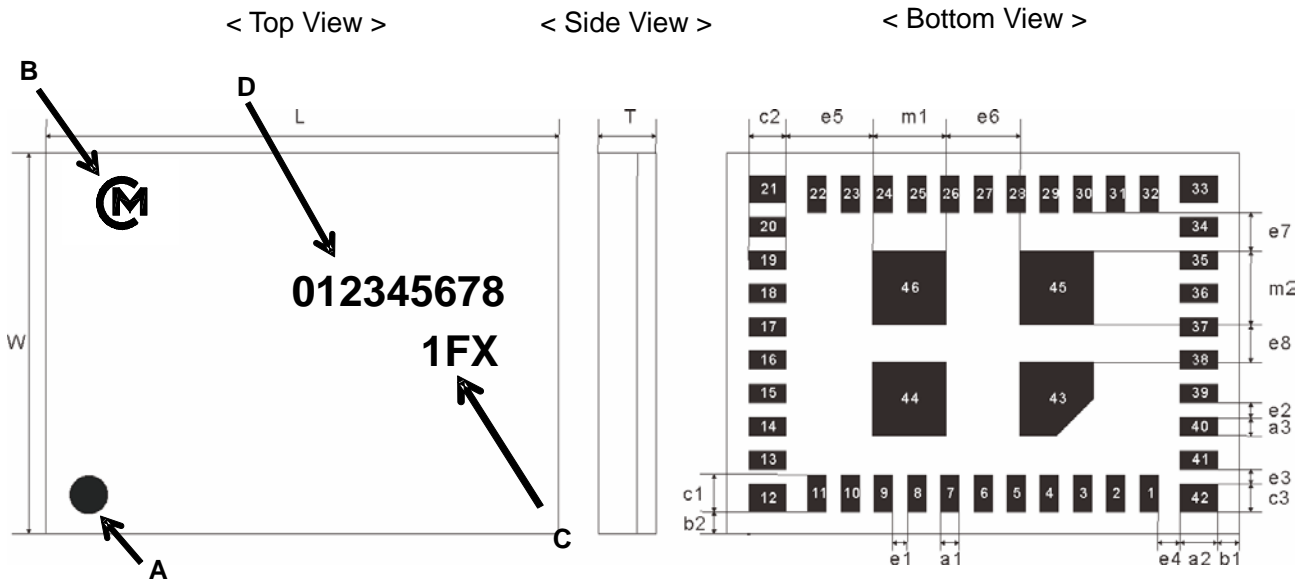
**2. Part Number**

Sample Part Number	LBWA1KL1FX-TEMP
EVK Part Number	LBWA1KL1FX-TEMP-D

**3. Block Diagram**



**4. Dimensions, Marking and Terminal Configurations**



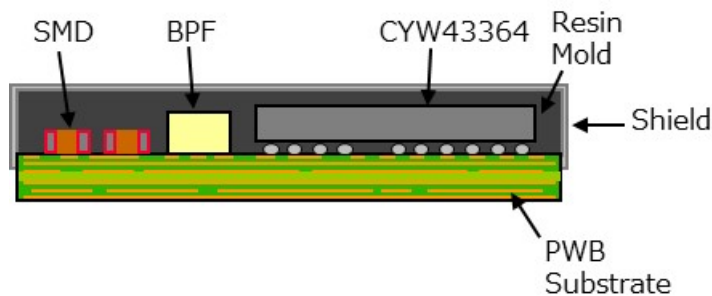
Marking	Meaning
A	Pin 1 Marking
B	Murata Logo
C	Module Type
D	Inspection Number

**Dimensions**

(unit : mm)

Mark	Dimensions	Mark	Dimensions	Mark	Dimensions
L	6.95 +/- 0.2	W	5.15 +/- 0.2	T	1.1 max.
a1	0.25 +/- 0.10	a2	0.5 +/- 0.1	a3	0.25 +/- 0.10
b1	0.30 +/- 0.2	b2	0.30 +/- 0.2	c1	0.50 +/- 0.1
c2	0.50 +/- 0.1	c3	0.375 +/- 0.100	e1	0.2 +/- 0.1
e2	0.2 +/- 0.1	e3	0.2 +/- 0.1	e4	0.3 +/- 0.1
e5	1.175 +/- 0.100	e6	1.0 +/- 0.1	e7	0.525 +/- 0.100
e8	0.50 +/- 0.10	m1	1.0 +/- 0.1	m2	1.0 +/- 0.1

**Structure**



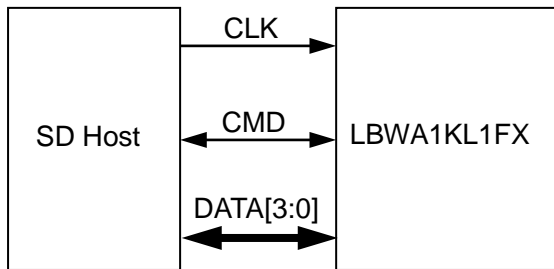
Terminal Configurations

No.	Terminal Name	Type	Connection to IC Terminal	Description
(1)	GND	-		
(2)	NC	-		NC
(3)	NC	-		NC
(4)	NC	-		NC
(5)	NC	-		NC
(6)	NC	-		NC
(7)	NC	-		NC
(8)	NC	-		NC
(9)	NC	-		NC
(10)	NC	-		NC
(11)	NC	-		NC
(12)	GND	-		
(13)	NC	-		NC
(14)	GND	-		GND
(15)	WL_GPIO_4	I/O	GPIO_4	
(16)	NC	-		NC
(17)	WL_GPIO_2	I/O	GPIO_2	
(18)	WL_GPIO_1	I/O	GPIO_1	
(19)	GND	-		
(20)	SDIO_CLK	I	SDIO_CLK	SDIO clock input
(21)	GND	-		
(22)	SDIO_CMD	I/O	SDIO_CMD	SDIO command line
(23)	SDIO_DATA_2	I/O	SDIO_DATA_2	SDIO data line 2
(24)	SDIO_DATA_0	I/O	SDIO_DATA_0	SDIO data line 0
(25)	SDIO_DATA_3	I/O	SDIO_DATA_3	SDIO data line 3
(26)	SDIO_DATA_1	I/O	SDIO_DATA_1	SDIO data line 1

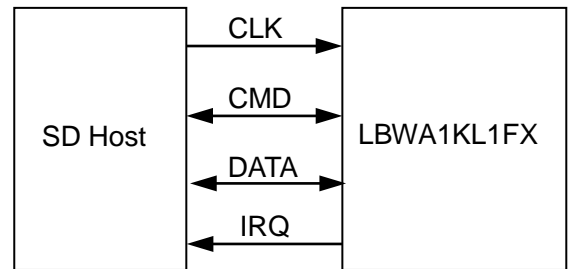
(27)	WL_GPIO_0_HOST_WAKE	O	GPIO_0	WLAN Host Wake
(28)	WL_REG_ON	I	WL_REG_ON	Used by PMU to power up or power down the internal regulators used by the WLAN section. Also, when deasserted, this pin holds the WLAN section in reset. This pin has an internal 200k $\Omega$ pull-down resistor that is enabled by default. It can be disabled through programming.
(29)	GND	-		
(30)	VBAT	PI	LDO_VDDBAT5V, SR_VDDBAT5V	
(31)	VIN_LDO	PI	LDO_VDD1P5, WLRF_VDD_1P35	
(32)	GND (SR_PVSS)	-		
(33)	GND (SR_PVSS)	-		
(34)	SR_VLX	PO	SR_VLX	CBUCK switching regulator output.
(35)	GND	-		
(36)	VIO	PI	SCC_VDDIO, SYS_VDDIO	
(37)	LPO_IN (32kHz)	I	LPO_IN	External sleep clock input (32.768kHz).
(38)	NC	-		NC
(39)	NC	-		NC
(40)	GND	-		
(41)	ANT	-	I	RF(WiFi) Signal
(42) ~ (46)	GND	-		

SDIO Pin Description

No.	Pin Name	(i) SD 4-bit Mode		(ii) SD 1-bit Mode	
20	SDIO_CLK	CLK	Clock	CLK	Clock
24	SDIO_D0	DATA0	Data line 0	DATA	Data line
26	SDIO_D1	DATA1	Data line 1 /Interrupt	IRQ	Interrupt
23	SDIO_D2	DATA2	Data line 2	NC	Not used
25	SDIO_D3	DATA3	Data line 3	NC	Not used
22	SDIO_CMD	CMD	Command line	CMD	Command line



(i) SD 4-bit Mode



(ii) SD 1-bit Mode

Note : 10 to 100kΩ pull-ups are required on the four DATA lines and the CMD line. This requirement must be met during all operating states by using external pull-up resistors or properly programming internal SDIO host pull-ups.



**5. Rating**

		min.	max.	unit
Storage Temperature		-40	+85	deg.C
Supply Voltage	VBAT	-0.5	5.0	V
	VDDIO	-0.5	3.9	V

\* Stresses in excess of the absolute ratings may cause permanent damage. Functional operation is not implied under these conditions. Exposure to absolute ratings for extended periods of time may adversely affect reliability. No damage assuming only one parameter is set at limit at a time with all other parameters are set within operating condition.

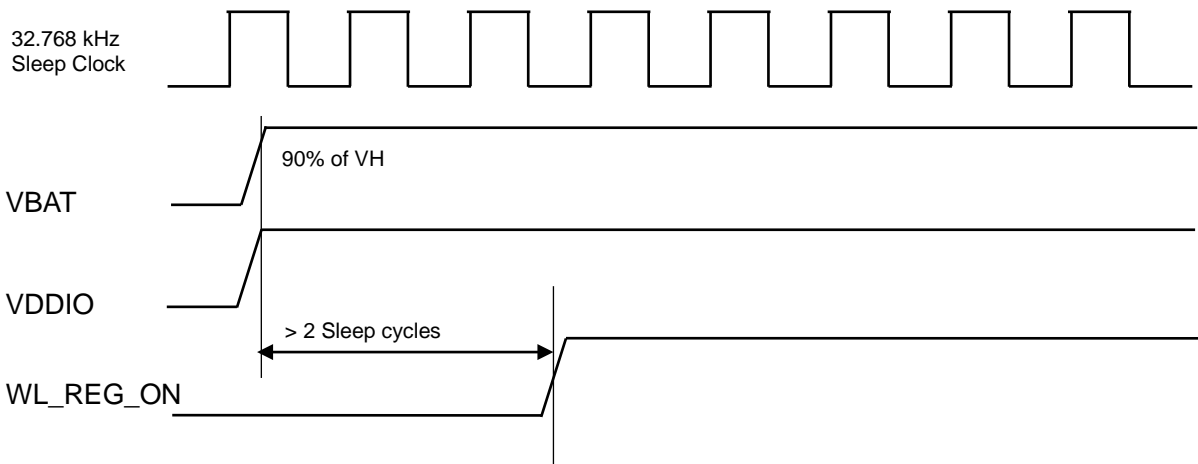
**6. Operating Condition**

**6.1. Operating condition**

		min.	typ.	max.	unit
Operating Temperature Range		-40	+25	+85	deg.C
Specification Temperature Range		-10	+25	+55	deg.C
Operating Voltage	VBAT	3.0	3.6	4.8	V
	VDDIO	1.71	1.8 or 3.3	3.63	V
Specification Voltage	VBAT	3.2	3.6	4.2	V
	VDDIO	1.71	1.8 or 3.3	3.63	V

[Note] All RF characteristics in this datasheet are defined by Specification Temperature Range and Specification Voltage.

**6.2. Power Up Sequence**



## 7. Digital I/O Requirements

SDIO Interface I/O Pins	Sym	min.	max.	unit
Input low voltage (VDDIO = 3.3V)	V <sub>IL</sub>	-	0.25*VDDIO	V
Input high voltage (VDDIO = 3.3V)	V <sub>IH</sub>	0.625*VDDIO	-	V
Input low voltage (VDDIO = 1.8V) <sup>1</sup>	V <sub>IL</sub>	-	0.58	V
Input high voltage (VDDIO = 1.8V)	V <sub>IH</sub>	1.27	-	V
Output low voltage (VDDIO = 3.3V)	V <sub>OL</sub>	-	0.125*VDDIO	V
Output high voltage (VDDIO = 3.3V)	V <sub>OH</sub>	0.75*VDDIO	-	V
Output low voltage (VDDIO = 1.8V)	V <sub>OL</sub>	-	0.45	V
Output high voltage (VDDIO = 1.8V)	V <sub>OH</sub>	1.40	-	V

Other Digital I/O Pins	Sym	min.	max.	unit
Input low voltage (VDDIO = 3.3V)	V <sub>IL</sub>	-	0.8	V
Input high voltage (VDDIO = 3.3V)	V <sub>IH</sub>	2.0	-	V
Input low voltage (VDDIO = 1.8V) <sup>1</sup>	V <sub>IL</sub>	-	0.35*VDDIO	V
Input high voltage (VDDIO = 1.8V)	V <sub>IH</sub>	0.65*VDDIO	-	V
Output low voltage (VDDIO = 3.3V)	V <sub>OL</sub>	-	0.40	V
Output high voltage (VDDIO = 3.3V)	V <sub>OH</sub>	VDDIO-0.4	-	V
Output low voltage (VDDIO = 1.8V)	V <sub>OL</sub>	-	0.45	V
Output high voltage (VDDIO = 1.8V)	V <sub>OH</sub>	VDDIO-0.45	-	V

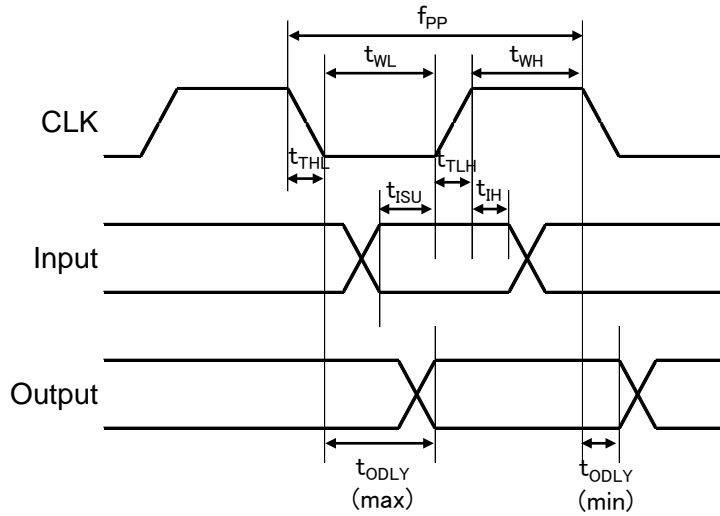
## 8. External LPO Specification

Parameter	Condition/Notes	Specification			
		Minimum	Typical	Maximum	Units
Frequency	-	-	32.768	-	KHz
Frequency accuracy	-	-200	-	+200	ppm
Duty cycle	-	30	-	70	%
Input amplitude	-	200	-	3300	mV, p-p
Signal type	Square wave or sine wave	-	-	-	-
Input impedance <sup>a</sup>	Resistive	100	-	-	kΩ
	Capacitive	-	-	5	pF
Clock jitter	-	-	-	10,000	ppm

a. When power is applied or switched off.

**9. Interface Timing**

**9.1. SDIO Timing (Default Mode)**

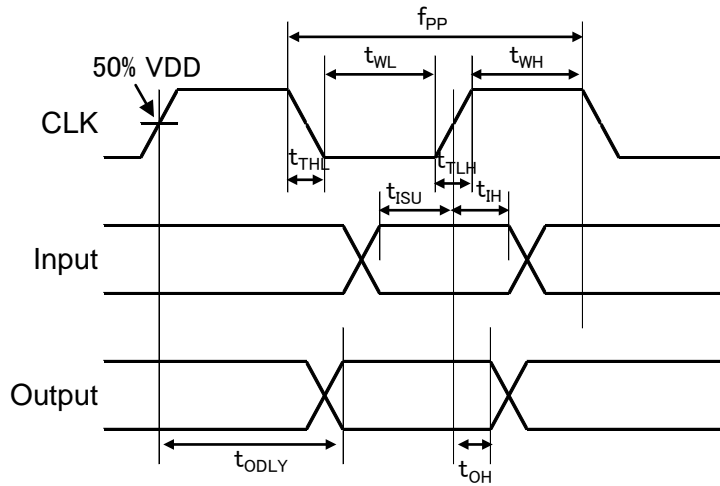


Parameter	Symbol	Min <sup>(1)</sup>	Typ <sup>(1)</sup>	Max <sup>(1)</sup>	Unit
Clock CLK (All values are referred to min. VIH and max. VIL <sup>(2)</sup> )					
Frequency-Data Transfer Mode	fPP	0	-	25	MHz
Frequency-Identification Mode	fOD	0	-	400	kHz
Clock Low Time	tWL	10	-	-	ns
Clock High Time	tWH	10	-	-	ns
Clock Rise Time	tTLH	-	-	10	ns
Clock Fall Time	tTHL	-	-	10	ns
Inputs: CMD, DAT (referenced to CLK)					
Input Setup Time	tISU	5	-	-	ns
Input Hold Time	tIH	5	-	-	ns
Outputs: CMD, DAT (referenced to CLK)					
Output Delay time-Data Transfer Mode	tODLY	0	-	14	ns
Output Delay time-Identification Mode	tODLY	0	-	50	ns

(1). Timing is based on  $CL \leq 40pF$  load on CMD and Data.

(2). Min (Vih) = 0.7\*VDDIO and max (Vil) = 0.2\*VDDIO.

**9.2. SDIO Timing (High Speed Mode)**



Parameter	Symbol	Min <sup>(1)</sup>	Typ <sup>(1)</sup>	Max <sup>(1)</sup>	Unit
Clock CLK (All values are referred to min. VIH and max. VIL <sup>(2)</sup> )					
Frequency-Data Transfer Mode	fPP	0	-	50	MHz
Frequency-Identification Mode	fOD	0	-	400	kHz
Clock Low Time	tWL	7	-	-	ns
Clock High Time	tWH	7	-	-	ns
Clock Rise Time	tTLH	-	-	3	ns
Clock Fall Time	tTHL	-	-	3	ns
Inputs: CMD, DAT (referenced to CLK)					
Input Setup Time	tISU	6	-	-	ns
Input Hold Time	tIH	2	-	-	ns
Outputs: CMD, DAT (referenced to CLK)					
Output Delay time-Data Transfer Mode	tODLY	-	-	14	ns
Output Hold time	tOH	2.5	-	-	ns
Total System Capacitance (each line)	CL	-	-	40	pF

(1). Timing is based on  $CL \leq 40\text{pF}$  load on CMD and Data.

(2). Min (Vih) =  $0.7 \cdot VDDIO$  and max (Vil) =  $0.2 \cdot VDDIO$ .

## 10. DC/RF Characteristics

### 10.1. DC/RF Characteristics for IEEE802.11b

Specification	IEEE802.11b
Mode	DSSS / CCK
Frequency	2400 - 2483.5MHz
Data rate	1, 2, 5.5, 11Mbps

Conditions : 25deg.C, VBAT=3.6V, VDDIO= 3.3V, Output power setting=17dBm, 11Mbps mode

Items	Contents			
	min.	typ.	max.	unit
- DC Characteristics -				
DC current				
1) Tx mode (1024byte, 20usec interval)		320	370	mA
2) Rx mode		47	60	mA
- Tx Characteristics -				
	min.	typ.	max.	unit
Output Power (tolerance)	15	17	19	dBm
Spectrum Mask				
1) 1st side lobes	-	-43	-30	dBr
2) 2nd side lobes	-	-54	-50	dBr
Power-on and Power-down ramp	-		2.0	μsec
RF Carrier Suppression	15		-	dB
Modulation Accuracy (EVM)	-	15	35	%
Outband Spurious Emissions				
1) 30MHz to 1GHz (BW=100kHz)	-	-	-36	dBm
2) 1GHz to 12.75GHz (BW=100kHz)	-	-	-30	dBm
3) 1.8GHz to 1.9GHz (BW=100kHz)	-	-	-47	dBm
4) 5.15GHz to 5.3GHz (BW=100kHz)	-	-	-47	dBm
- Rx Characteristics -				
	min.	typ.	max.	unit
Minimum Input Level (FER ≤ 8%)	-	-89	-76	dBm
Maximum Input Level (FER ≤ 8%)	-10	-	-	dBm
Adjacent Channel Rejection (FER ≤ 8%)	35	-	-	dB

## 10.2. DC/RF Characteristics for IEEE802.11g

Specification	IEEE802.11g
Mode	OFDM
Frequency	2400 - 2483.5MHz
Data rate	6, 9, 12, 18, 24, 36, 48, 54Mbps

Conditions : 25deg.C, VBAT=3.6V, VDDIO= 3.3V, Output power setting=13dBm, 54Mbps mode

Items	Contents			
	min.	typ.	max.	unit
- DC Characteristics -				
DC current				
1) Tx mode (1024byte, 20usec interval)		270	310	mA
2) Rx mode		47	60	mA
- Tx Characteristics -				
Output Power (tolerance)	11	13	15	dBm
Spectrum Mask				
1) 9MHz to 11MHz (0dB ~ -20dB)		-33	-20	dBr
2) 11MHz to 20MHz (-20dB ~ -28dB)		-41	-28	dBr
3) 20MHz to 30MHz (-28dB ~ -40dB)		-53	-40	dBr
4) 30MHz to 33MHz (-40dB)		-53	-40	dBr
Constellation Error (EVM)	-	-30	-25	dB
Outband Spurious Emissions				
1) 30MHz to 1GHz (BW=100kHz)	-	-	-36	dBm
2) 1GHz to 12.75GHz (BW=100kHz)	-	-	-30	dBm
3) 1.8GHz to 1.9GHz (BW=100kHz)	-	-	-47	dBm
4) 5.15GHz to 5.3GHz (BW=100kHz)	-	-	-47	dBm
- Rx Characteristics -				
Minimum Input Level (PER ≤ 10%)	-	-75	-65	dBm
Maximum Input Level (PER ≤ 10%)	-20	-	-	dBm
Adjacent Channel Rejection (PER ≤ 10%)	-1	-	-	dB

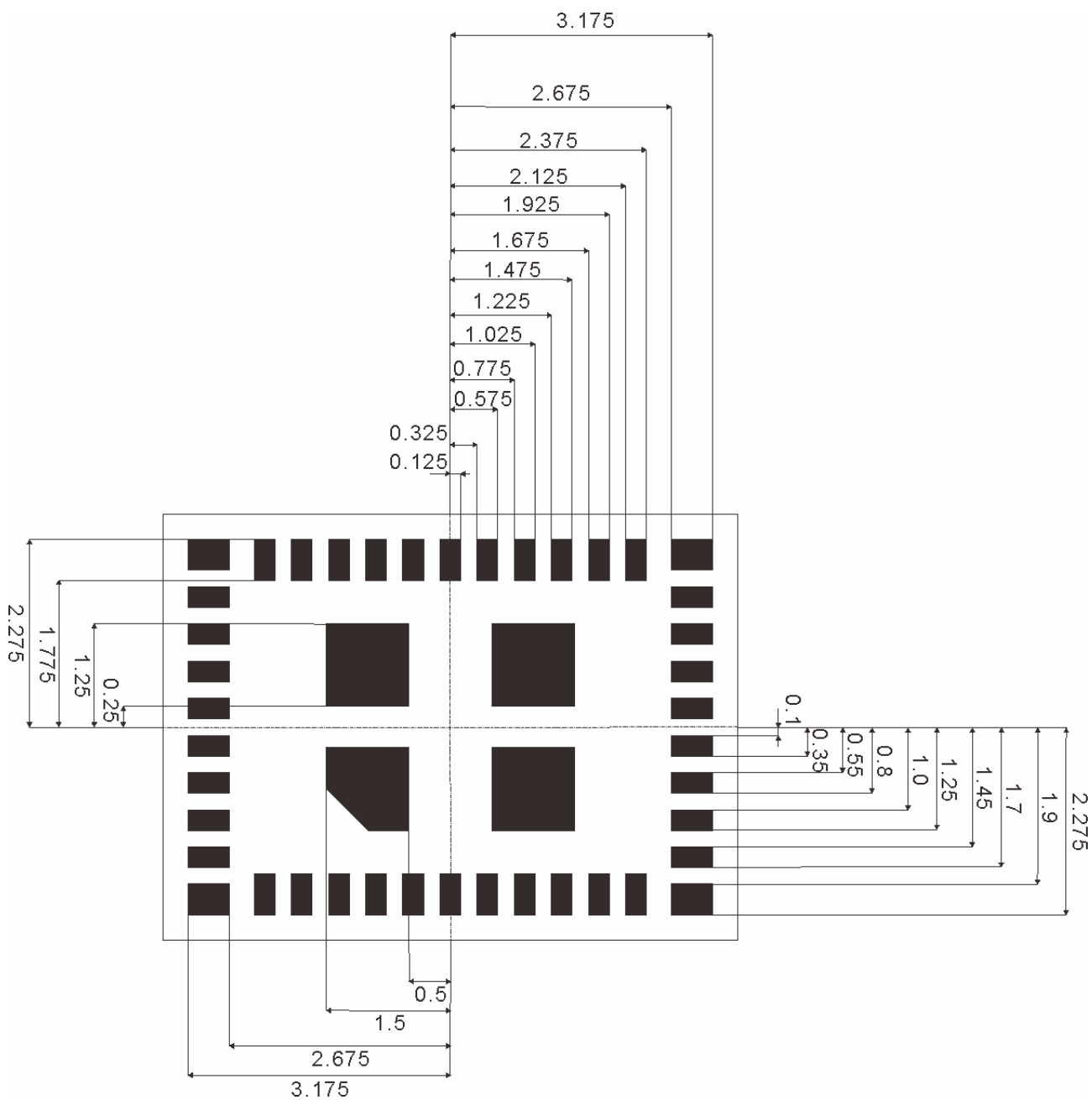
**10.3. DC/RF Characteristics for IEEE802.11n**

Specification	IEEE802.11n
Mode	OFDM
Frequency	2400 - 2483.5MHz
Data rate	6.5, 13, 19.5, 26, 39, 52, 58.5, 65Mbps

Conditions : 25deg.C, VBAT=3.6V, VDDIO= 3.3V, Output power setting=12dBm, 65Mbps mode

Items	Contents			
- DC Characteristics -	min.	typ.	max.	unit
DC current				
1) Tx mode (1024byte, 20usec interval)		260	300	mA
2) Rx mode		47	60	mA
- Tx Characteristics -	min.	typ.	max.	unit
Output Power (tolerance)	10	12	14	dBm
Spectrum Mask				
1) 9MHz to 11MHz (0dB ~ -20dB)		-33	-20	dBr
2) 11MHz to 20MHz (-20dB ~ -28dB)		-41	-28	dBr
3) 20MHz to 30MHz (-28dB ~ -45dB)		-53	-45	dBr
4) 30MHz to 33MHz (-45dB)		-53	-45	dBr
Constellation Error (EVM)	-	-31	-27	dB
Outband Spurious Emissions				
1) 30MHz to 1GHz	-	-	-36	dBm
2) 1GHz to 12.75GHz	-	-	-30	dBm
3) 1.8GHz to 1.9GHz	-	-	-47	dBm
4) 5.15GHz to 5.3GHz	-	-	-47	dBm
- Rx Characteristics -	min.	typ.	max.	unit
Minimum Input Level (PER <sub>≤</sub> 10%)	-	-73	-64	dBm
Maximum Input Level (PER ≤ 10%)	-20	-	-	dBm
Adjacent Channel Rejection (PER ≤ 10%)	-2	-	-	dB

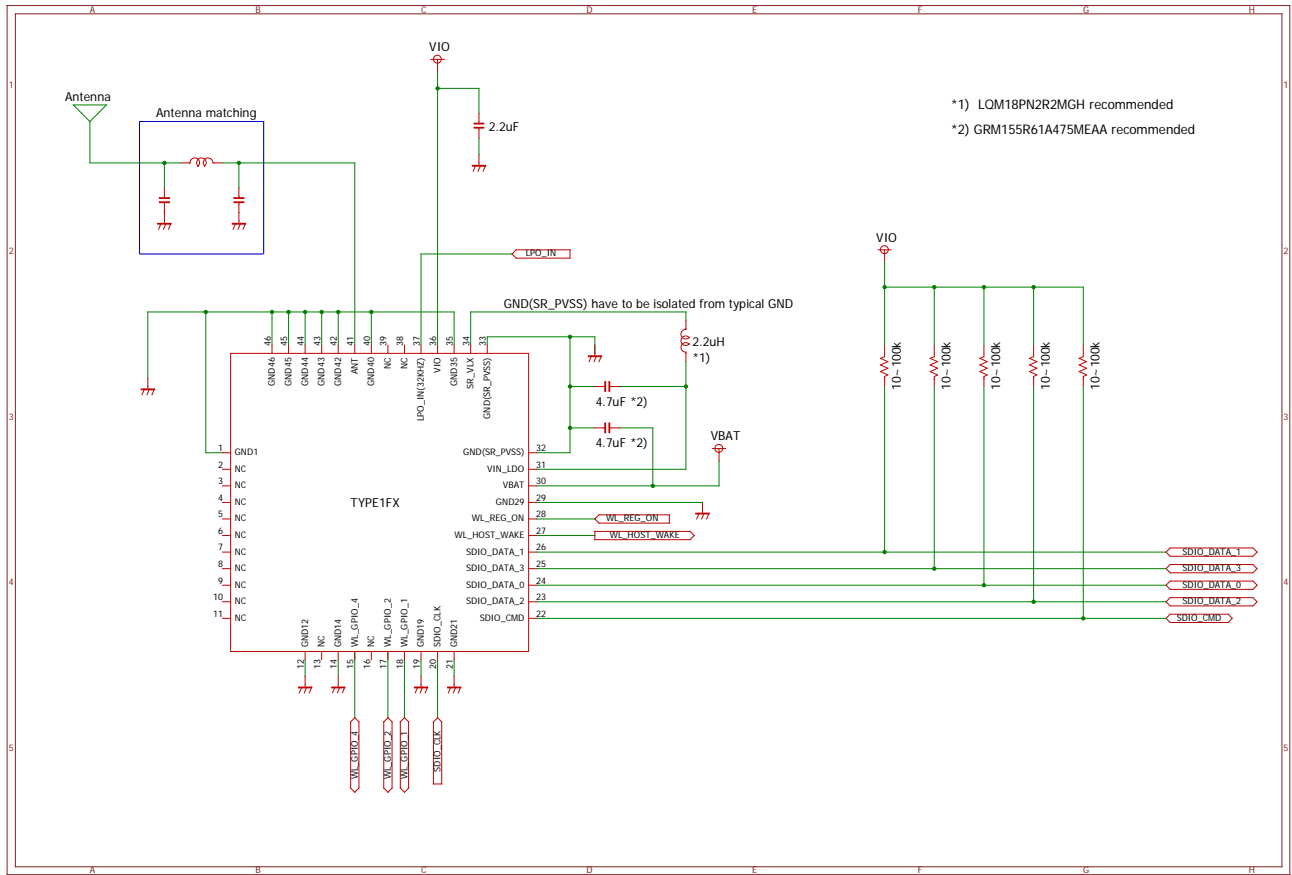
**11. Land pattern**



Top View. Unit : mm

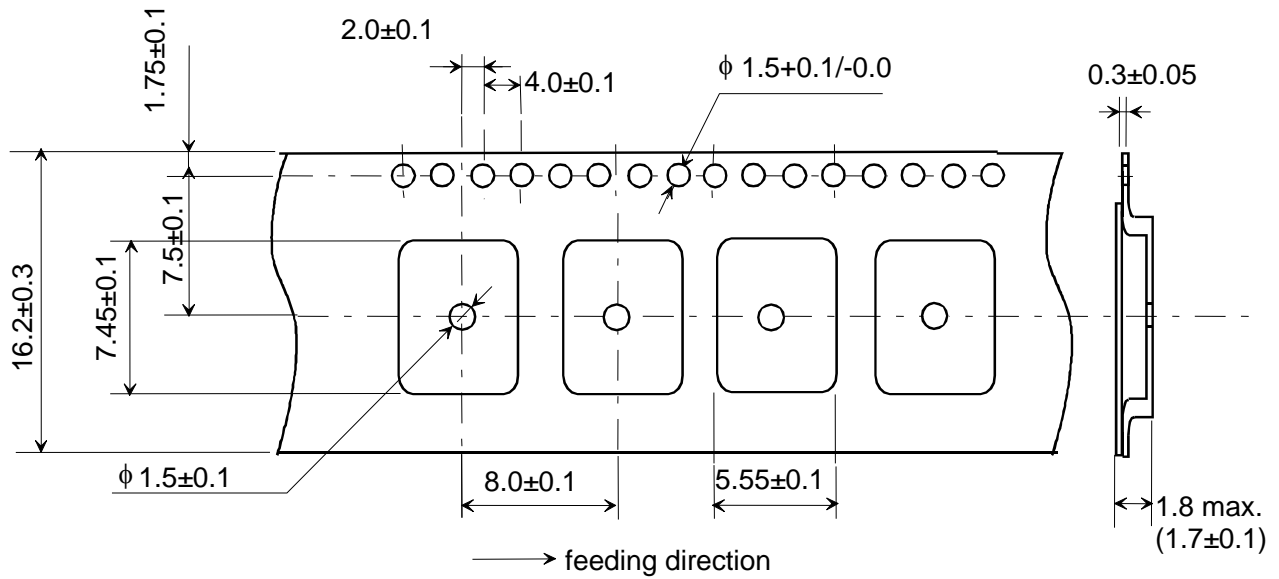


**12. Reference Circuit**



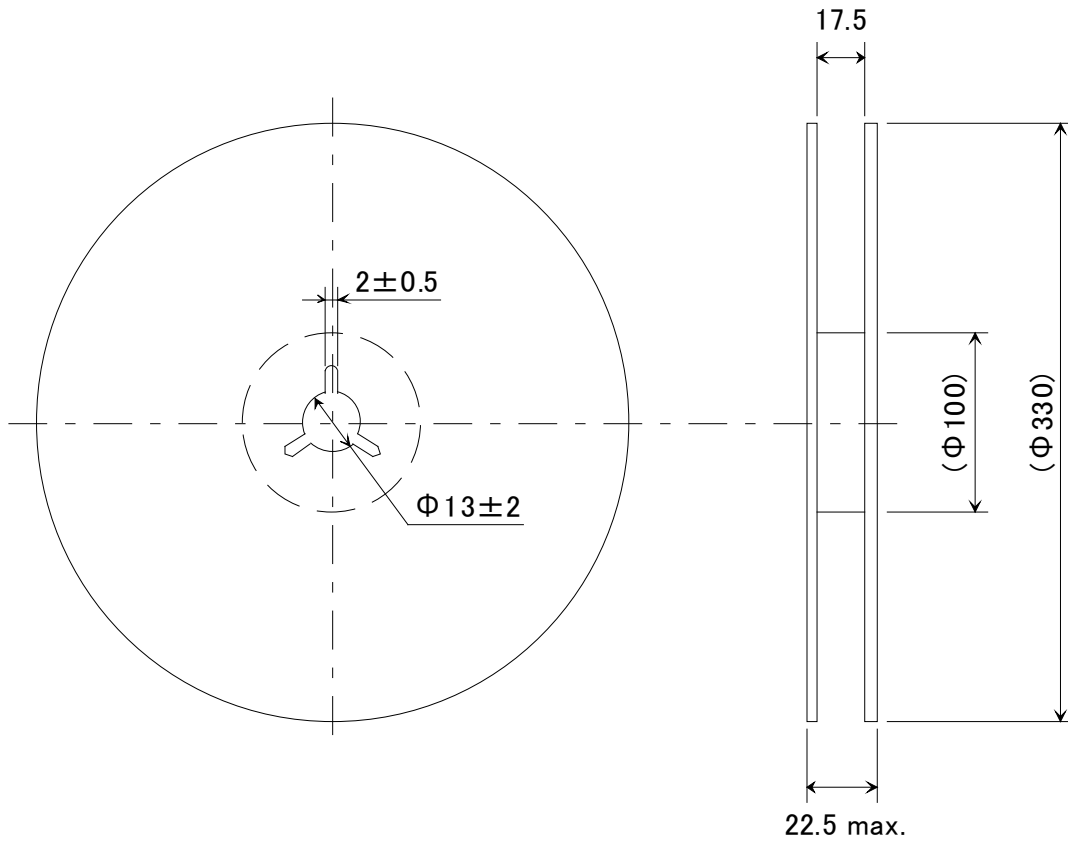
**13. Tape and Reel Packing**

(1) Dimensions of Tape (Plastic tape)



- 1) The corner and ridge radiuses (R) of inside cavity are 0.3mm max.
- 2) Cumulative tolerance of 10 pitches of the sprocket hole is  $\pm 0.2$ mm
- 3) Measuring of cavity positioning is based on cavity center in accordance with JIS/IES standard.

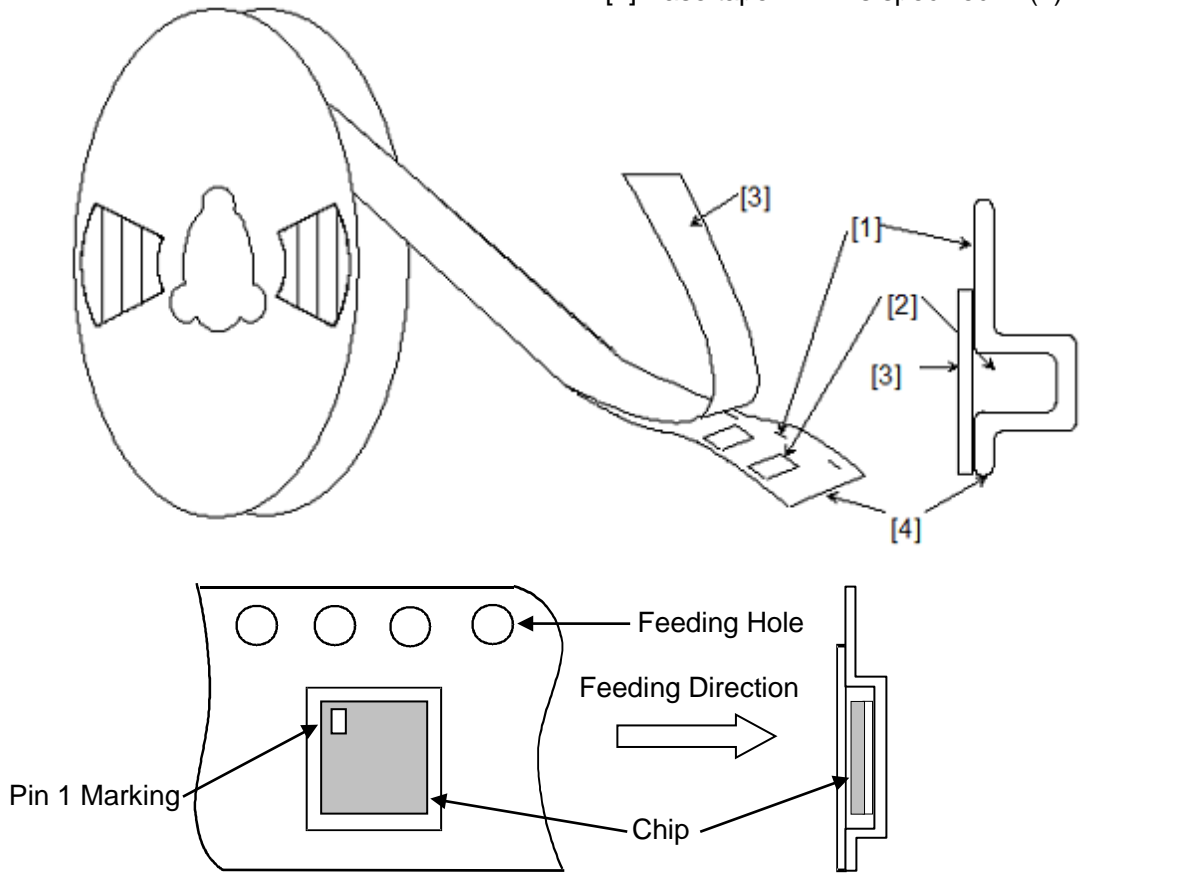
(2) Dimensions of Reel



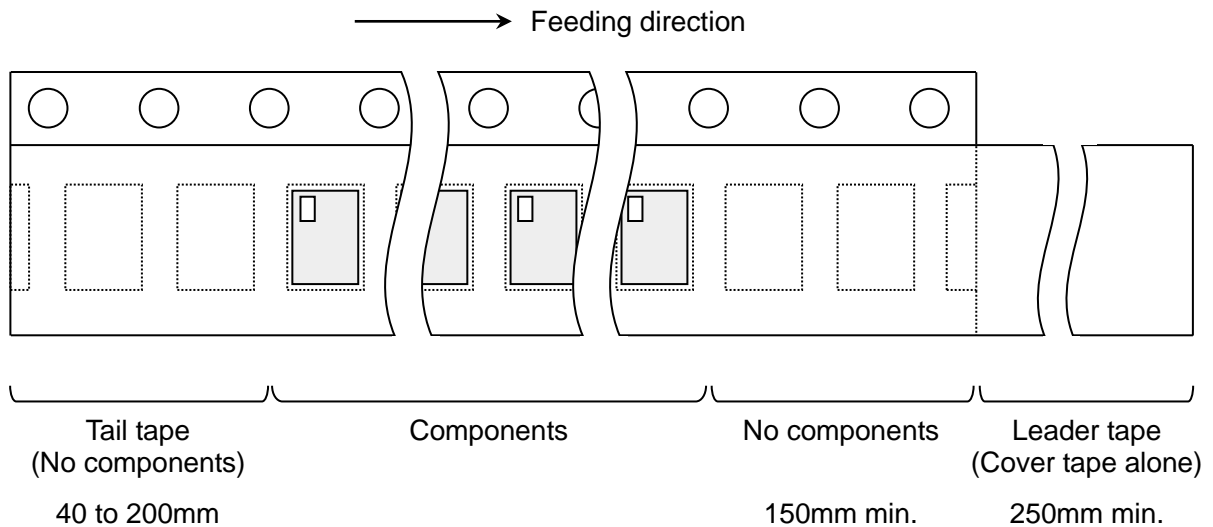
(unit : mm)

(3) Taping Diagrams

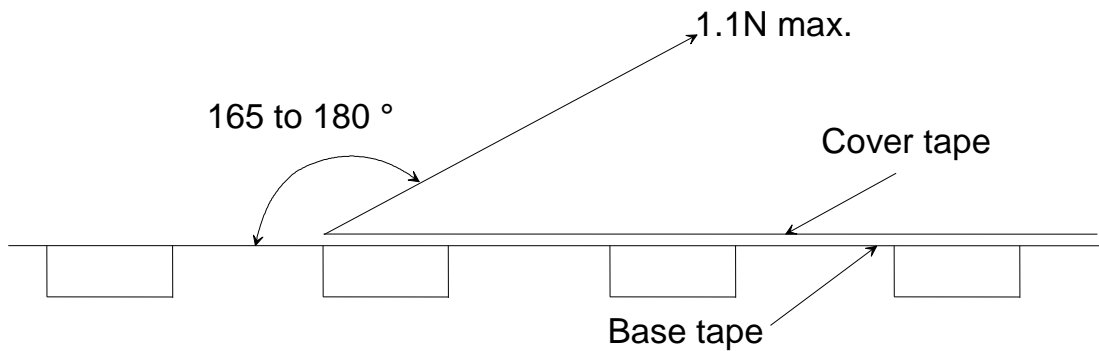
- [1] Feeding Hole : As specified in (1)
- [2] Hole for chip : As specified in (1)
- [3] Cover tape : 62μm in thickness
- [4] Base tape : As specified in (1)



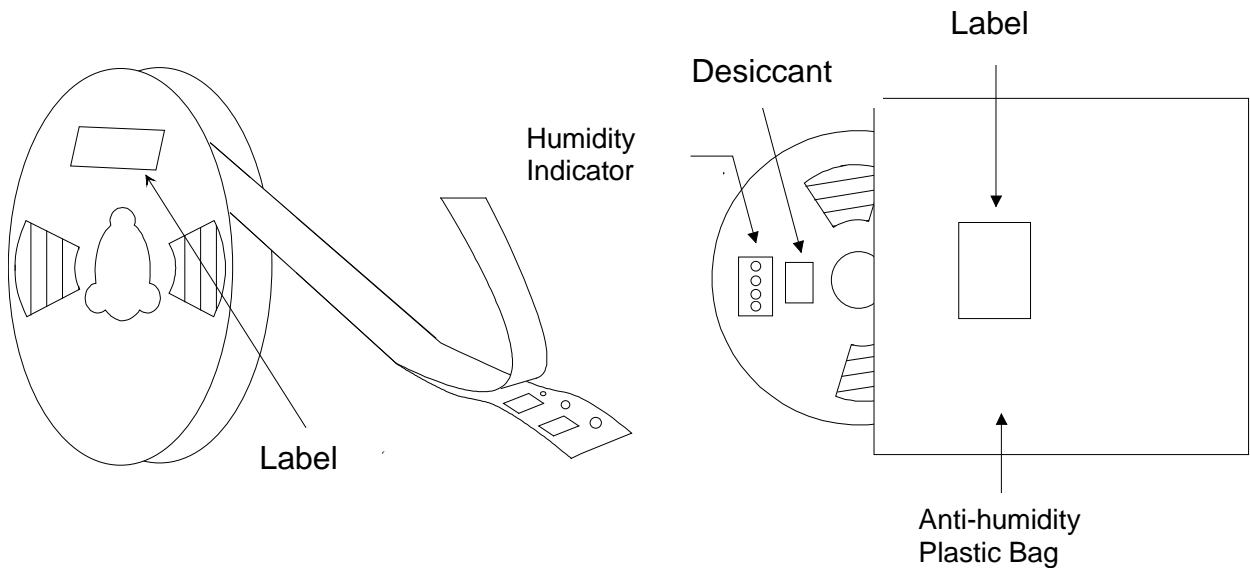
(4) Leader and Tail tape



- (5) The tape for chips are wound clockwise, the feeding holes to the right side as the tape is pulled toward the user.
- (6) The cover tape and base tape are not adhered at no components area for 250mm min.
- (7) Tear off strength against pulling of cover tape : 5N min.
- (8) Packaging unit : 1000pcs./ reel
- (9) material : Base tape : Plastic  
Real : Plastic  
Cover tape, cavity tape and reel are made the anti-static processing.
- (10) Peeling of force : 1.1N max. in the direction of peeling as shown below.



- (11) Packaging (Humidity proof Packing)



Tape and reel must be sealed with the anti-humidity plastic bag. The bag contains the desiccant and the humidity indicator.

**14. NOTICE****14.1. Storage Conditions:**

Please use this product within 6month after receipt.

- The product shall be stored without opening the packing under the ambient temperature from 5 to 35deg.C and humidity from 20 to 70%RH.

(Packing materials, in particular, may be deformed at the temperature over 40deg.C.)

- The product left more than 6months after reception, it needs to be confirmed the solderbility before used.

- The product shall be stored in non corrosive gas (Cl<sub>2</sub>, NH<sub>3</sub>, SO<sub>2</sub>, NO<sub>x</sub>, etc.).

- Any excess mechanical shock including, but not limited to, sticking the packing materials by sharp object and dropping the product, shall not be applied in order not to damage the packing materials.

This product is applicable to MSL3 (Based on JEDEC Standard J-STD-020)

- After the packing opened, the product shall be stored at  $\leq 30$ deg.C /  $\leq 60$ %RH and the product shall be used within 168hours.

- When the color of the indicator in the packing changed, the product shall be baked before soldering.

Baking condition: 125+5/-0deg.C, 24hours, 1time

The products shall be baked on the heat-resistant tray because the material (Base Tape, Reel Tape and Cover Tape) are not heat-resistant.

**14.2. Handling Conditions:**

Be careful in handling or transporting products because excessive stress or mechanical shock may break products.

Handle with care if products may have cracks or damages on their terminals, the characteristics of products may change. Do not touch products with bear hands that may result in poor solder ability and destroy by static electrical charge.

**14.3. Standard PCB Design (Land Pattern and Dimensions):**

All the ground terminals should be connected to the ground patterns. Furthermore, the ground pattern should be provided between IN and OUT terminals. Please refer to the specifications for the standard land dimensions.

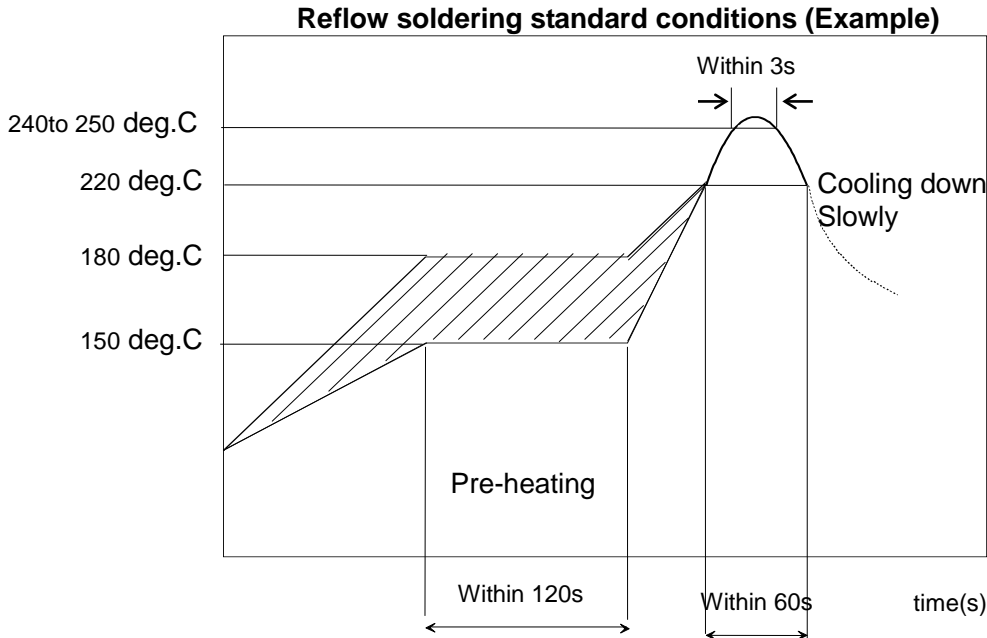
The recommended land pattern and dimensions is as Murata's standard. The characteristics of products may vary depending on the pattern drawing method, grounding method, land dimensions, land forming method of the NC terminals and the PCB material and thickness. Therefore, be sure to verify the characteristics in the actual set. When using non-standard lands, contact Murata beforehand.

**14.4. Notice for Chip Placer:**

When placing products on the PCB, products may be stressed and broken by uneven forces from a worn-out chucking locating claw or a suction nozzle. To prevent products from damages, be sure to follow the specifications for the maintenance of the chip placer being used. For the positioning of products on the PCB, be aware that mechanical chucking may damage products.

**14.5. Soldering Conditions:**

The recommendation conditions of soldering are as in the following figure. When products are immersed in solvent after mounting, pay special attention to maintain the temperature difference within 100 °C. Soldering must be carried out by the above mentioned conditions to prevent products from damage. Set up the highest temperature of reflow within 260 °C. Contact Murata before use if concerning other soldering conditions.



Please use the reflow within 2 times.  
Use rosin type flux or weakly active flux with a chlorine content of 0.2 wt % or less.

**14.6. Cleaning:**

Since this Product is Moisture Sensitive, any cleaning is not permitted.

**14.7. Operational Environment Conditions:**

Products are designed to work for electronic products under normal environmental conditions (ambient temperature, humidity and pressure). Therefore, products have no problems to be used under the similar conditions to the above-mentioned. However, if products are used under the following circumstances, it may damage products and leakage of electricity and abnormal temperature may occur.

- In an atmosphere containing corrosive gas (Cl<sub>2</sub>, NH<sub>3</sub>, SO<sub>x</sub>, NO<sub>x</sub>, etc.).
- In an atmosphere containing combustible and volatile gases.
- Dusty place.
- Direct sunlight place.
- Water splashing place.
- Humid place where water condenses.
- Freezing place.

If there are possibilities for products to be used under the preceding clause, consult with Murata before actual use.

As it might be a cause of degradation or destruction to apply static electricity to products, do not apply static electricity or excessive voltage while assembling and measuring.

**14.8. Input Power Capacity:**

Products shall be used in the input power capacity as specified in this specifications.  
Inform Murata beforehand, in case that the components are used beyond such input power capacity range.





# APPENDIX

## 1DX Installation Manual (FCC)

FCC ID of this product is as follows.

FCC ID:VPYLB1DX

For OEM integration only – device cannot be sold to general public.  
Therefore we will ask OEM to include the following statements required by FCC on the product and in the Installation manual Notice.

Contents

1. Antenna
2. Notice

### 1. Antenna

■ Please perform the antenna design that followed the specifications of the antenna.

The concrete contents of a check are the following three points.

- 1) It is the same type as the antenna type of antenna specifications.  
Confirm the same size as the Gerber file.
- 2) An antenna gain is lower than a gain given in antenna specifications.  
Measure the gain, and confirm the peak gain is less than the application value (1.4dBi)
- 3) The emission level is not getting worse.  
Measure the spurious, and confirm degradation of less than 3dB than spurious value of worst of report used for the application. However it is spurious defined below.

Please send those reports to Murata.

### 2. Notice

For OEM integration only – device cannot be sold to general public.  
Therefore we will ask OEM to include the following statements required by FCC/IC on the product and in the Installation manual Notice.

Please describe the following warning on the final product which contains this module.

Contains Transmitter Module FCC ID:VPYLB1DX

or

Contains FCC ID:VPYLB1DX

● Please describe the following warning to the manual.

This device complies with part 15 of the FCC Rules. Operation is subject to the following two conditions:  
(1) This device may not cause harmful interference, and (2) this device must accept any interference received, including interference that may cause undesired operation.

#### FCC CAUTION

Changes or modifications not expressly approved by the party responsible for compliance could void the user's authority to operate the equipment.

This transmitter must not be co-located or operated in conjunction with any other antenna or transmitter.

※When the product is small, as for these words mentioned above, the posting to a manual is possible.

●When installing it in a mobile equipment. Please describe the following warning to the manual.

This equipment complies with FCC radiation exposure limits set forth for an uncontrolled environment and meets the FCC radio frequency (RF) Exposure Guidelines. This equipment should be installed and operated keeping the radiator at least 20cm or more away from person's body.

RF Exposure requirements are met when installed in mobile equipment.

This module cannot be installed in portable equipment without further testing and a change to FCC's grant of authorization.

Contact Murata regarding portable applications.

Note)

Portable equipment : Equipment for which the spaces between human body and antenna are used within 20cm.

Mobile equipment : Equipment used at position in which the spaces between human body and antenna exceeded 20cm.

**This device is intended only for OEM integrators under the following conditions:**

- 1)The antenna must be installed such that 20 cm is maintained between the antenna and users, and
- 2)The transmitter module may not be co-located with any other transmitter or antenna.
- 3)The use of an antenna with gain less than 1.4 dBi.

As long as 3 conditions above are met, further transmitter test will not be required. However, the OEM integrator is still responsible for testing their end-product for any additional compliance requirements required with this module installed

**IMPORTANT NOTE:** In the event that these conditions cannot be met (for example certain laptop configurations or co-location with another transmitter), then the FCC authorization is no longer considered valid and the FCC ID cannot be used on the final product. In these circumstances, the OEM integrator will be responsible for re-evaluating the end product (including the transmitter) and obtaining a separate FCC authorization.

**End Product Labeling**

This transmitter module is authorized only for use in device where the antenna may be installed such that 20 cm may be maintained between the antenna and users. The final end product must be labeled in a visible area with the following: "Contains FCC ID:XXXXXXXXXX". The grantee's FCC ID can be used only when all FCC compliance requirements are met.

**Manual Information To the End User**

The OEM integrator has to be aware not to provide information to the end user regarding how to install or remove this RF module in the user's manual of the end product which integrates this module.

The end user manual shall include all required regulatory information/warning as show in this manual.

## 1DX Installation Manual (IC)

IC No. of this product is as follows.

IC : 772C-LB1DX

For OEM integration only – device cannot be sold to general public.

Therefore we will ask OEM to include the following statements required by IC on the product and in the Installation manual Notice.

Contents

1. Antenna
2. Notice

### 1. Antenna

■ Please perform the antenna design that followed the specifications of the antenna.

The concrete contents of a check are the following three points.

- 1) It is the same type as the antenna type of antenna specifications.  
Confirm the same size as the Gerber file.
- 2) An antenna gain is lower than a gain given in antenna specifications.  
Measure the gain, and confirm the peak gain is less than the application value (1.4dBi)
- 3) The emission level is not getting worse.  
Measure the spurious, and confirm degradation of less than 3dB than spurious value of worst of report used for the application. However it is spurious defined below.

Please send those reports to Murata.

### 2. Notice

For OEM integration only – device cannot be sold to general public.

Therefore we will ask OEM to include the following statements required by FCC/IC on the product and in the Installation manual Notice.

Please describe the following warning on the final product which contains this module.

Contains IC:772C-LB1DX

This device complies with Industry Canada's licence-exempt RSSs. Operation is subject to the following two conditions:

- (1) This device may not cause interference; and
- (2) This device must accept any interference, including interference that may cause undesired operation of the device.

Le présent appareil est conforme aux CNR d'Industrie Canada applicables aux appareils radio exempts de licence.

L'exploitation est autorisée aux deux conditions suivantes :

- 1) l'appareil ne doit pas produire de brouillage;
- 2) l'utilisateur de l'appareil doit accepter tout brouillage radioélectrique subi, même si le brouillage est susceptible d'en compromettre le fonctionnement.

※When the product is small, as for these words mentioned above, the posting to a manual is possible

- When installing it in a mobile equipment. Please describe the following warning to the manual.

This equipment complies with IC radiation exposure limits set forth for an uncontrolled environment and meets RSS-102 of the IC radio frequency (RF) Exposure rules. This equipment should be installed and operated keeping the radiator at least 20cm or more away from person's body.

Cet équipement est conforme aux limites d'exposition aux rayonnements énoncées pour un environnement non contrôlé et respecte les règles d'exposition aux fréquences radioélectriques (RF) CNR-102 de l'IC. Cet équipement doit être installé et utilisé en gardant une distance de 20 cm ou plus entre le radiateur et le corps humain.

RF Exposure requirements are met when installed in mobile equipment.

This module cannot be installed in portable equipment without further testing and a change to FCC's grant of authorization.

Contact Murata regarding portable applications.

Note)

Portable equipment : Equipment for which the spaces between human body and antenna are used within 20cm.

Mobile equipment : Equipment used at position in which the spaces between human body and antenna exceeded 20cm.

**This device is intended only for OEM integrators under the following conditions: (For module device use)**

- 1) The antenna must be installed such that 20 cm is maintained between the antenna and users, and
- 2) The transmitter module may not be co-located with any other transmitter or antenna.
- 3) The use of an antenna with gain less than 1.4 dBi.

As long as 3 conditions above are met, further transmitter test will not be required. However, the OEM integrator is still responsible for testing their end-product for any additional compliance requirements required with this module installed.

**Cet appareil est conçu uniquement pour les intégrateurs OEM dans les conditions suivantes: (Pour utilisation de dispositif module)**

- 1) L'antenne doit être installée de telle sorte qu'une distance de 20 cm est respectée entre l'antenne et les utilisateurs, et
- 2) Le module émetteur peut ne pas être coïmplanté avec un autre émetteur ou antenne.

Tant que les 3 conditions ci-dessus sont remplies, des essais supplémentaires sur l'émetteur ne seront pas nécessaires. Toutefois, l'intégrateur OEM est toujours responsable des essais sur son produit final pour toutes exigences de conformité supplémentaires requis pour ce module installé.

**IMPORTANT NOTE:**

In the event that these conditions cannot be met (for example certain laptop configurations or co-location with another transmitter), then the Canada authorization is no longer considered valid and the IC ID cannot be used on the final product. In these circumstances, the OEM integrator will be responsible for re-evaluating the end product (including the transmitter) and obtaining a separate Canada authorization.

**NOTE IMPORTANTE:**

Dans le cas où ces conditions ne peuvent être satisfaites (par exemple pour certaines configurations d'ordinateur portable ou de certaines co-localisation avec un autre émetteur), l'autorisation du Canada n'est plus considéré comme valide et l'ID IC ne peut pas être utilisé sur le produit final. Dans ces circonstances, l'intégrateur OEM sera chargé de réévaluer le produit final (y compris l'émetteur) et l'obtention d'une autorisation distincte au Canada.

**End Product Labeling**

This transmitter module is authorized only for use in device where the antenna may be installed such that 20 cm may be maintained between the antenna and users. The final end product must be labeled in a visible area with the following: "Contains IC:   ".

**Plaque signalétique du produit final**

Ce module émetteur est autorisé uniquement pour une utilisation dans un dispositif où l'antenne peut être installée de telle sorte qu'une distance de 20cm peut être maintenue entre l'antenne et les utilisateurs. Le produit final doit être étiqueté dans un endroit visible avec l'inscription suivante: "Contient des IC:   ".

**Manual Information To the End User**

The OEM integrator has to be aware not to provide information to the end user regarding how to install or remove this RF module in the user's manual of the end product which integrates this module. The end user manual shall include all required regulatory information/warning as show in this manual.

**Manuel d'information à l'utilisateur final**

L'intégrateur OEM doit être conscient de ne pas fournir des informations à l'utilisateur final quant à la façon d'installer ou de supprimer ce module RF dans le manuel de l'utilisateur du produit final qui intègre ce module.

Le manuel de l'utilisateur final doit inclure toutes les informations réglementaires requises et avertissements comme indiqué dans ce manuel.