

MTG-GL-174

REPLACES

DRAWING NUMBER

ISSUE

12

RELEASE NUMBER AO18-170

REVISIONS

5	7/96
6	12/96
7	7/97
8	8/97
9	CO/395
10	CO*2372
11	CO*2818
12	0007574

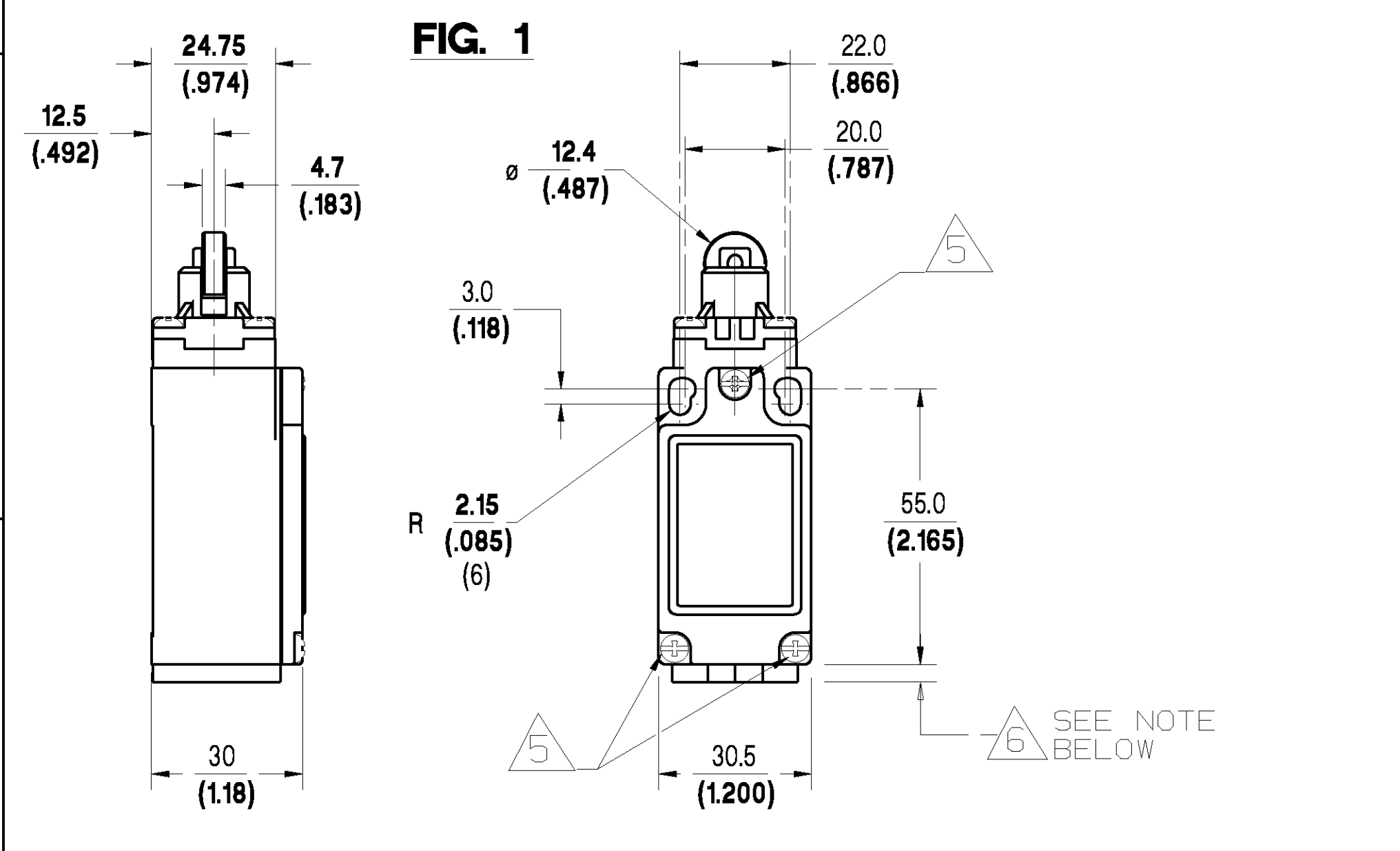
MODIFY ON CAD3D SYSTEM ONLY

Honeywell **LIMIT SWITCH**

CATALOGUE LISTING

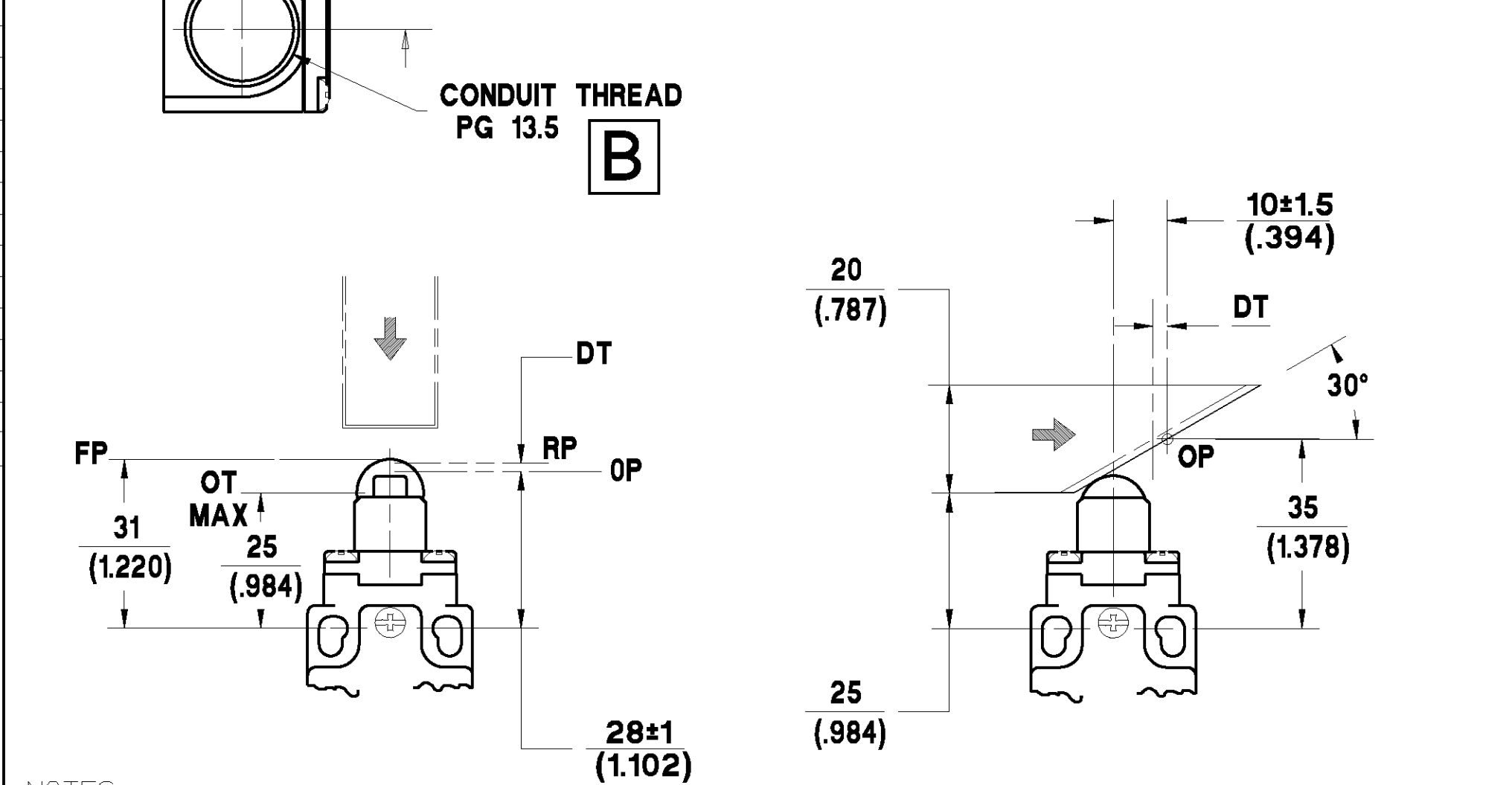
GLS

CHART NO. **MTG-GL-174**



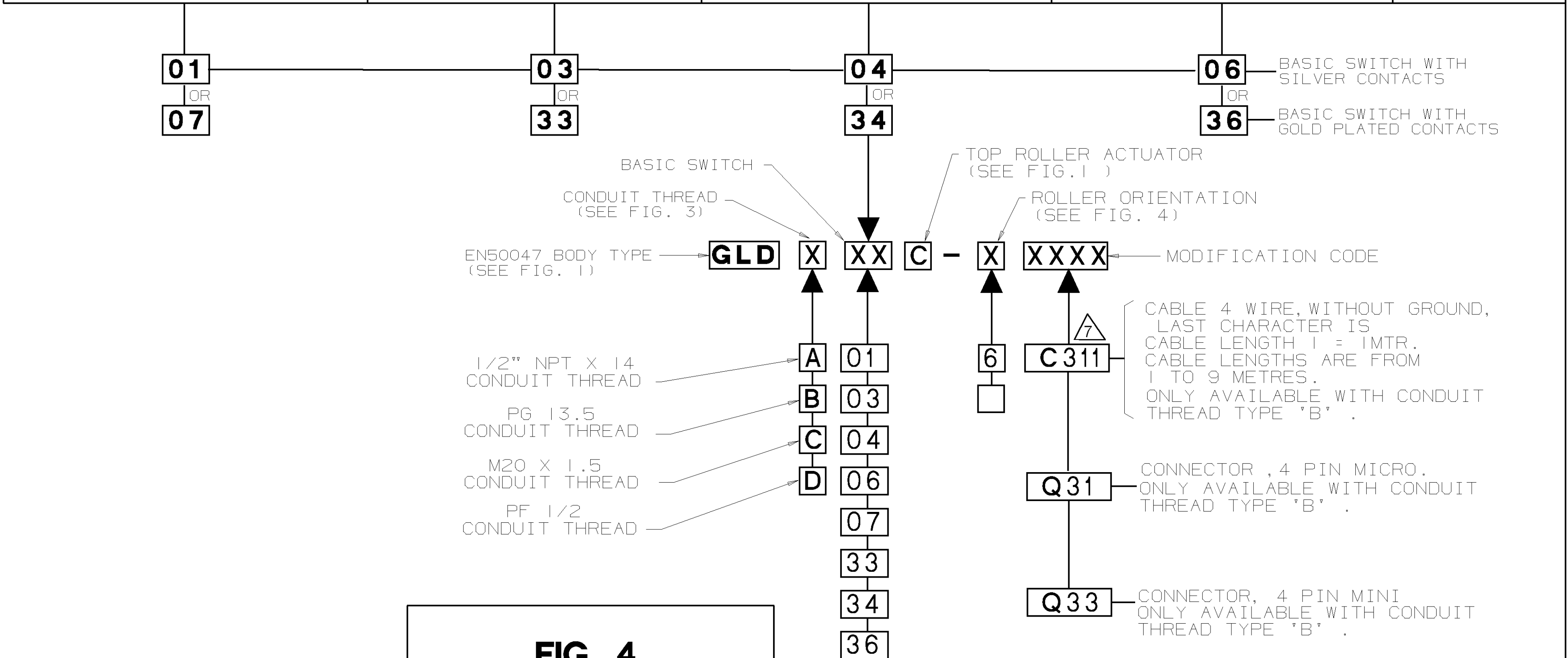
NO CHANGES CAN BE MADE TO THIS DRAWING WITHOUT JOINT NEWHOUSE/FREEPORT APPROVAL

CONDUIT THREAD PG 13.5 **B**

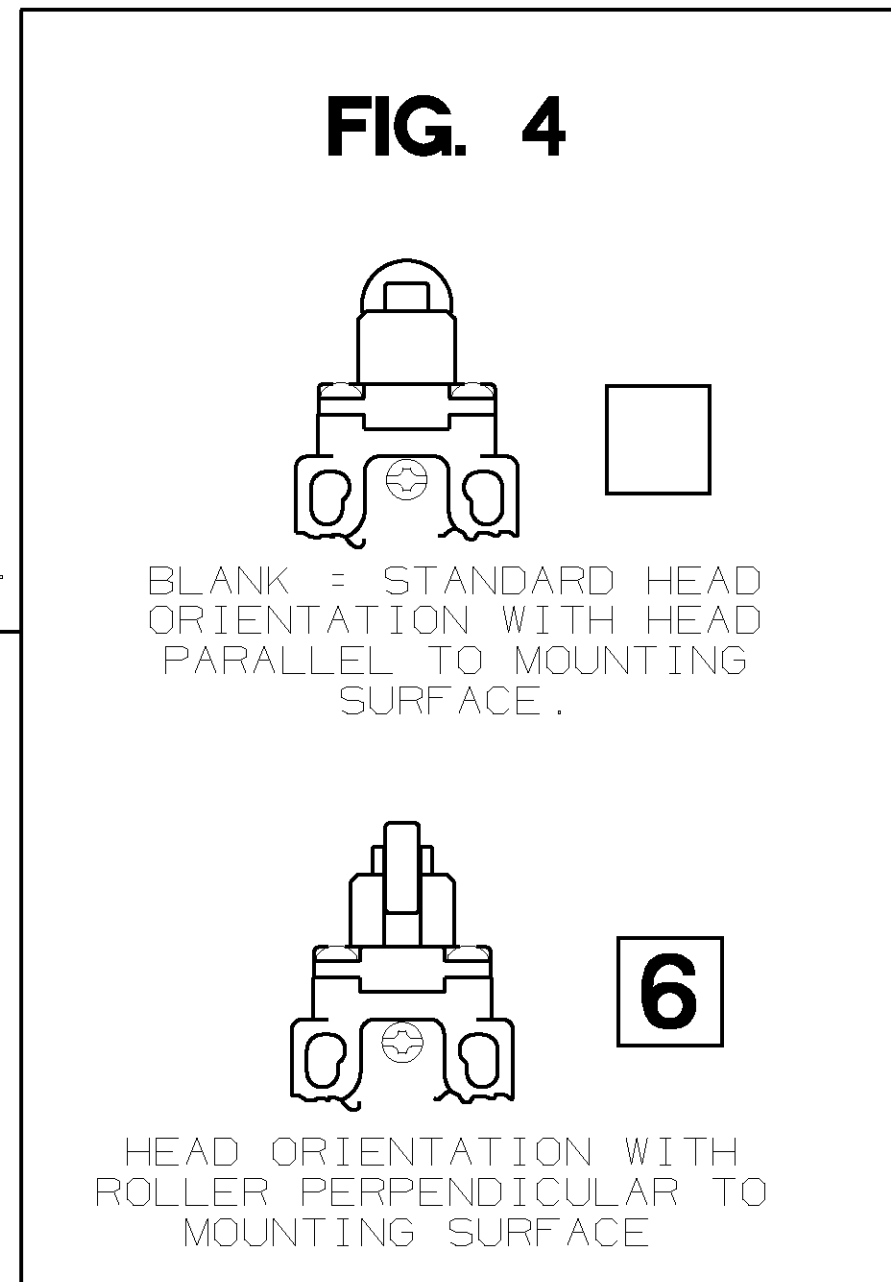
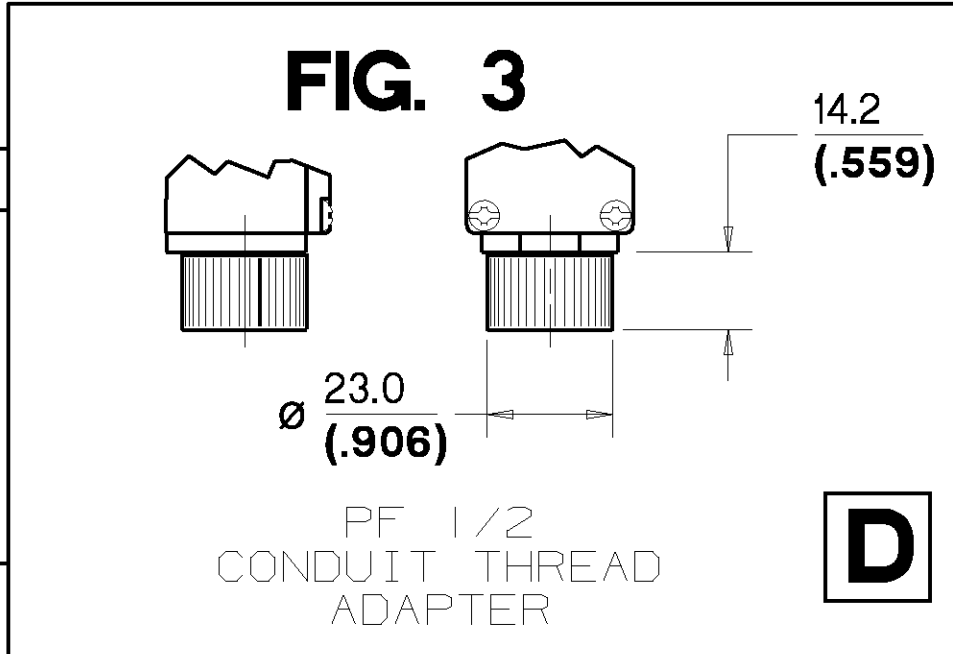


- NOTES:-
- MICRO SWITCH BLUE GLASS FILLED POLYESTER HOUSING & COVER. BLACK GLASS FILLED POLYAMIDE HEAD.
 - ENCLOSURE DOUBLE INSULATED TO IEC 539 CLASS II.
 - MINIMUM OPERATING VELOCITY (V_{min}) = 1.0 MM/S (THESE LIMITS APPLY TO CAM OPERATION AS SHOWN IN THE ABOVE DIAGRAMS ONLY)
 - MAXIMUM OPERATING VELOCITY (V_{max}) = 100 MM/S
 - MAXIMUM OPERATING FREQUENCY (F_{max}) = 250 OPS/MIN
 - FREE POSITION (FP), OPERATING POINT (OP), OVERTRAVEL (OT) AND PRETRAVEL (PT) AL TO EN50047.
 - MAXIMUM TIGHTENING TORQUE FOR FIXING SCREW = 0.5Nm (4.4in.LB)
 - 3.50(.138) FOR PG13.5, M20x1.5 AND PF 1/2 THREADS, 7.20(.283) FOR 1/2-14 NPT THREADS.
 - CABLED PRODUCTS TEMP RANGE -25°C TO 85°C -3°F TO 185°F

CONTACT BLOCK DIAGRAM TERMINAL DESIGNATION TO EN 50013	NOMINAL TRAVELS AND RELATED TERMINALS	NORMAL OPERATING FORCE MAX	MAXIMUM DISCONNECT FORCE
SNAP-ACTION CONTACTS	CONTACT CLOSED CONTACT OPEN	N (lbf)	N (lbf)
SLOW-ACTION CONTACTS (BREAK BEFORE MAKE)	* POSITIVE OPENING TO IEC 947-5-1-3		
SLOW-ACTION CONTACTS (MAKE BEFORE BREAK)			
SLOW-ACTION CONTACTS (2 NORMALLY CLOSED)			



NOTE:- ANY STANDARD LISTING WITH SUFFIX 'RS' OR 'FE' IS PERMITTED.



IEC 947-5-1 ELECTRICAL RATING

SILVER CONTACTS			GOLD PLATED CONTACTS		
AC	AC (FOR 2NC)	DC			
AG00 AC15	A500 AC15	O500 DC13	I _{th} = 10A		
U _e I _e	U _e I _e	U _e I _e	1V 10µA MIN.		
120 1.0	120 1.0	250 0.27	50V 100mA MAX.		
240 1.0	240 1.0				
380 1.0	380 1.0				
480 1.0	480 1.0				
500 1.4	500 1.4				
600 1.4	600 1.4				

ENVIRONMENTAL

IP66 NEMA 1, 12, 13

TEMP RANGE: -40°C TO 85°C (-40°F TO 185°F)

STORAGE: -40°C TO 85°C (-40°F TO 185°F)

SHOCK: 50G PER IEC 68-2-27

VIBRATION: 10G PER IEC 68-2-6

APPROVALS

UL

IEC 947-5-1

EN50047

SCALE 1:1

DIMENSIONS ARE IN MM/INCHES.

THE COPYRIGHT OF THIS DRAWING IS THE PROPERTY OF HONEYWELL LTD. THE DRAWING IS SUPPLIED IN CONFIDENCE AND MUST NOT BE USED FOR ANY PURPOSE OTHER THAN THAT FOR WHICH IT IS SUPPLIED.

THIRD ANGLE PROJECTION

NOTE FOR CONNECTION DIAGRAMS AND ADDITIONAL ELECTRICAL, ENVIRONMENTAL & DIMENSIONAL INFORMATION SEE DRAWING GL-49212