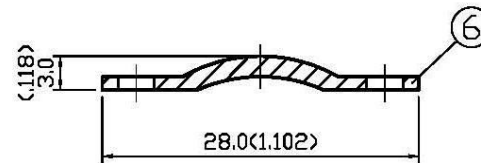
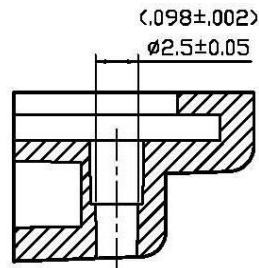
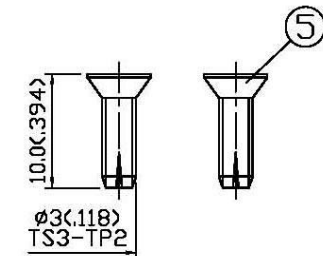
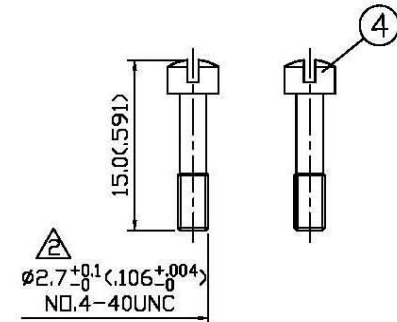
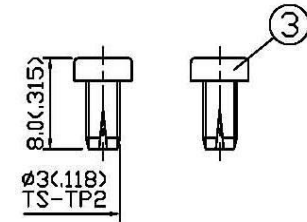
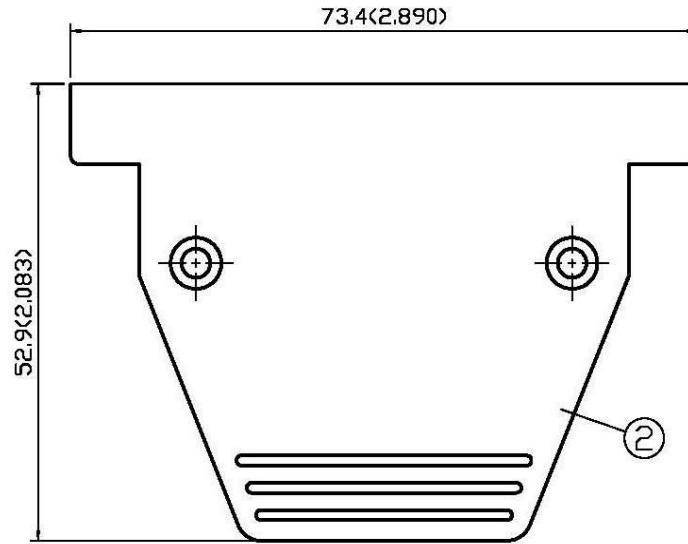
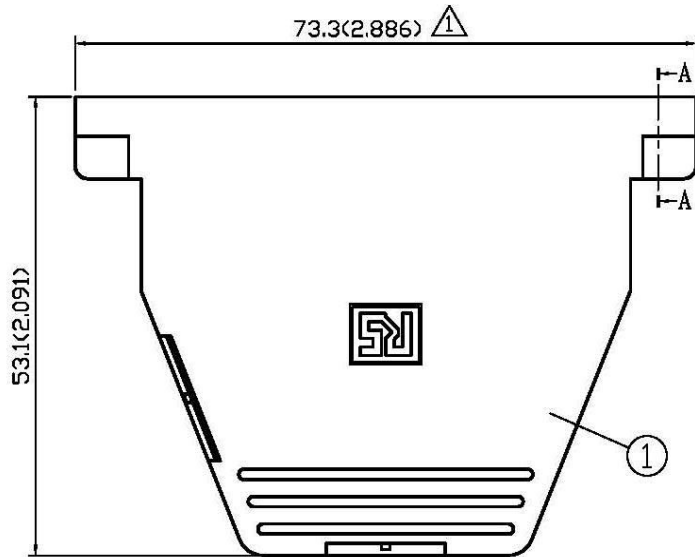


NO	DESCRIPTION	DATE
①	ADD MIS PART NO. 73.4 → 73.3	04.01.04'
②	ADD A-A SECTION ø2.7 → ø2.7 ^{+0.1} ₀	12.02.04'
③	ADD (P/N:544-4411)	04.14.10'



△ MIS PART NO: 069-0037H-02 (P/N:544-4411) △

APPROVED by _____ DATE: _____

△ A-A SECTION

NO	DESCRIPTION	MATERIAL	Q'TY	FINISH
6	SPRING	IRON	1	ZINC
5	SCREW	IRON	2	ZINC
4	SCREW	IRON	2	ZINC
3	SCREW	IRON	2	ZINC
2	CAP	ABS	1	NICLEL
1	BODY	ABS	1	NICLEL



DESCRIPTION		37PIN D-HOOD-1	
製圖	DRAWN Yoko	TOLERANCE	品名 37PIN D-HOOD-1
檢圖	CHECK Arc	.X ±0.2	TITLE \\ROHS COMPLIANT
認定	APPROVAL Angela	.XX ±0.1	DATE 10.30.96
		.XXX ±0.05	版次 A-3
		ANGLE ±5°	比例 2:1
			DWG.NO. 55-0083