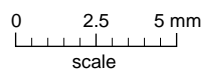
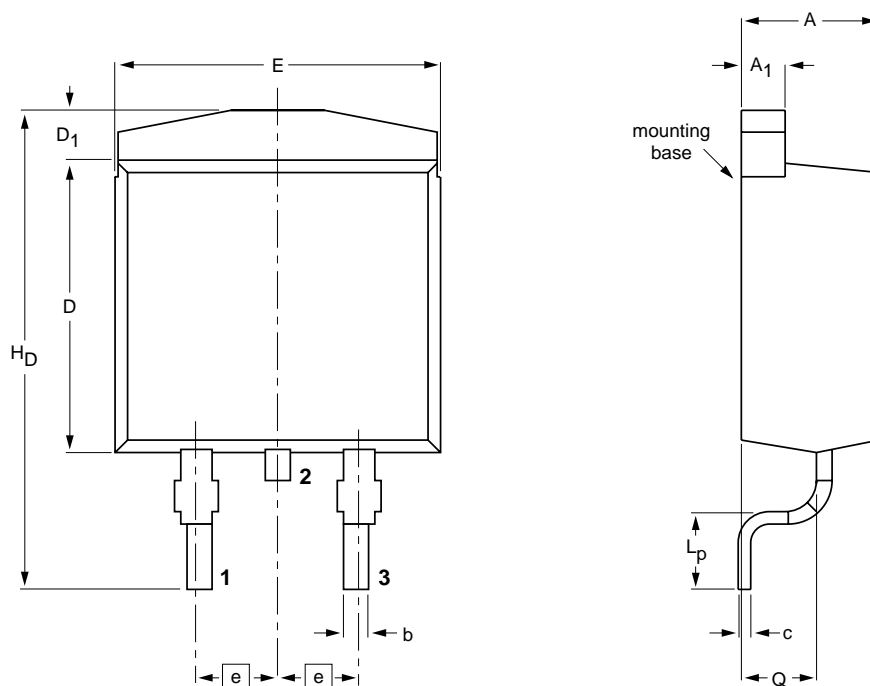


Plastic single-ended surface mounted package (Philips version of D²-PAK); 3 leads
(one lead cropped)

SOT404



DIMENSIONS (mm are the original dimensions)

UNIT	A	A ₁	b	c	D	D ₁	E	e	L _p	H _D	Q
mm	4.5	1.40	0.85	0.64	9.65	1.6	10.3	2.54	2.9	15.4	2.60
	4.1	1.27	0.60	0.46	8.65	1.2	9.7				

OUTLINE VERSION	REFERENCES				EUROPEAN PROJECTION	ISSUE DATE
	IEC	JEDEC	EIAJ			
SOT404						98-12-14