

NOTES:

1. ALL DIMENSIONS ARE IN $\frac{\text{INCHES}}{[\text{MILLIMETERS}]}$; $\frac{\text{LBS}}{[\text{GRAMS}]}$

2. DIMENSIONS APPEARING IN TABLE ARE AS FOLLOWS:
 a AS SUPPLIED
 b AFTER UNRESTRICTED RECOVERY

3. COATING (ADHESIVE) IS OPTIONAL. AS SUPPLIED DIMENSIONS APPEARING IN TABLE ARE FOR UNCOATED PARTS. WHEN COATING IS ADDED, ENTRY DIAMETERS WILL BE REDUCED BY .06 MAX.

4. MOLDING PORTS ARE OPTIONAL. WHEN -00 MODIFICATION NUMBER IS SPECIFIED MOLDING PORTS WILL BE LOCATED AS SHOWN.

ON SIZES 222A111 AND 222A121 THE 0.18 INCH DIAMETER MOLDING PORT AT "T" WILL BE ELIMINATED. THE 0.12" DIA MOLDING PORT WILL BE ENLARGED TO 0.18 INCHES

5. WEIGHT SHOWN IN TABLE OF DIMENSIONS IS BASED ON POLYOLEFIN PART

6. ORDERING INFORMATION 222A1XX -XX -XX /XXX /0

BASE PART NUMBER

MATERIAL DASH NUMBER

- 3 POLYOLEFIN, SEMI RIGID (RT-301)
- 4 POLYOLEFIN, FLEXIBLE (RT-1304)
- 5 ELASTOMER, FLEXIBLE (RT-501)
- 6 SILICONE (RT-602)
- 8 POLYOLEFIN, SPACE (RT-1308)
- 12 FLUORO ELASTOMER, FLEXIBLE (RT-1312)
- 25 ELASTOMER, FLUID RESISTANT (RT-1325)
- 100 POLYOLEFIN, SEMI-FLEXIBLE ZEROHAL (RT-1323)

MODIFICATION NUMBER

ADHESIVE SLASH NUMBER

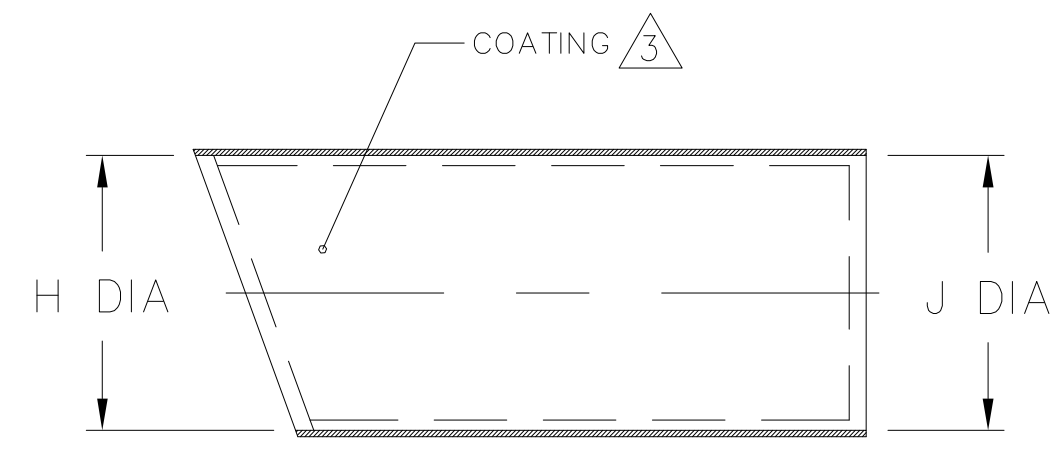
SEE COMPATIBILITY CHART BELOW

COLOR DESIGNATOR

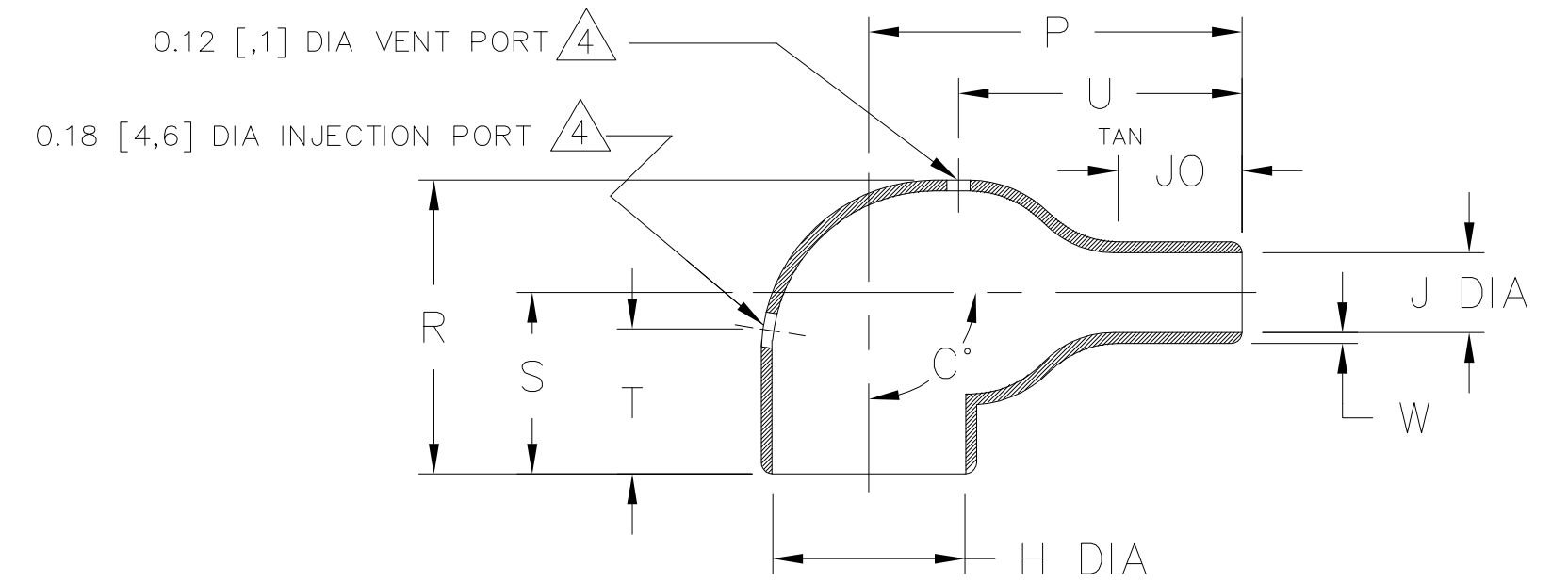
IF THIS DOCUMENT IS PRINTED IT BECOMES UNCONTROLLED. CHECK FOR THE LATEST REVISION.

COMPATIBILITY CHART

| MATERIAL DASH NO. | ADHESIVE (COATING) SLASH NO. | ADHESIVE (COATING) S NO. |
|-------------------|------------------------------|--------------------------|
| -3; -4 | /42; /86 | S-1017; S-1048; |
| -5 | /42 | S-1017 |
| -6; -8; -12 | NOT APPLICABLE | N/A |
| -25 | /42; /86; /225 | S-1017; S-1048; S-1206 |
| -100 | /86; /180; /184 | S-1017; S-1030 |



AS SUPPLIED



AFTER UNRESTRICTED RECOVERY

TABLE OF DIMENSIONS

| PART DESCRIPTION | H | | | J | | | | P | R | S | T | U | JO | W | C° | | WEIGHT REF |
|------------------|---|----------------|----------------|-----------------------------|---------------------------|-----------------|---------------|-----------------|----------------|----------------|----------------|----------------|----------------|---------------|-----------|----------|-----------------|
| | MIN -3,-4,-5,-6 -12,-25,-100 a | MIN -8 a | MAX b | MIN -3,-4 -6,-25 a | MIN -5,-8 -100 a | MIN -12 a | MAX b | ±10% b | ±10% b | ±10% b | ±10% b | ±10% b | ±10% b | ±20% b | ±10% a | ±5% b | b |
| 222A111 | .70 [17,8] | .43 [10,9] | .31 [7,9] | .70 [17,8] | .43 [10,9] | .39 [9,9] | .15 [3,8] | .68 [17,3] | .79 [20,1] | .61 [15,5] | N/A | .45 [11,4] | .17 [4,3] | .04 [1,02] | 180 | 90 | .002 [0,91] |
| 222A121 | .98 [24,9] | .63 [16,0] | .40 [10,2] | .98 [24,9] | .63 [16,0] | .71 [18,0] | .21 [5,3] | .84 [21,3] | .89 [22,6] | .65 [16,5] | N/A | .58 [14,7] | .23 [5,8] | .05 [1,3] | 180 | 90 | .003 [1,36] |
| 222A132 | 1.18 [30,0] | .83 [21,1] | .56 [14,2] | 1.18 [30,0] | .83 [21,1] | .81 [20,6] | .25 [6,4] | 1.06 [26,9] | 1.05 [26,7] | .73 [18,5] | .75 [19,1] | .70 [17,8] | .28 [7,1] | .06 [1,5] | 180 | 90 | .006 [2,72] |
| 222A142 | 1.28 [32,5] | .90 [22,9] | .68 [17,3] | 1.28 [32,5] | .90 [22,9] | .90 [22,9] | .27 [6,9] | 1.44 [36,6] | 1.20 [30,5] | .81 [20,6] | .75 [19,1] | .98 [24,9] | .40 [10,2] | .07 [1,8] | 180 | 90 | .014 [6,35] |
| 222A152 | 1.42 [36,1] | 1.08 [27,4] | .86 [21,8] | 1.42 [36,1] | 1.08 [27,4] | 1.04 [26,4] | .33 [8,4] | 1.72 [43,7] | 1.38 [35,1] | .90 [22,9] | .75 [19,1] | 1.18 [30,0] | .50 [12,7] | .07 [1,8] | 180 | 90 | .019 [8,62] |
| 222A163 | 1.73 [43,9] | 1.12 [28,4] | 1.08 [27,4] | 1.73 [43,9] | 1.12 [28,4] | 1.08 [27,4] | .37 [9,4] | 2.11 [53,6] | 1.73 [43,9] | 1.15 [29,2] | .75 [19,1] | 1.34 [34,0] | .68 [17,3] | .08 [2,0] | 180 | 90 | .029 [13,15] |
| 222A174 | 2.09 [53,1] | 1.90 [48,3] | 1.33 [33,8] | 2.09 [53,1] | 1.90 [48,3] | 1.84 [46,7] | .59 [15,0] | 2.98 [75,7] | 2.08 [52,8] | 1.34 [34,0] | 1.00 [25,4] | 2.10 [53,3] | 1.26 [32,0] | .13 [3,3] | 180 | 90 | .077 [34,93] |
| 222A185 | 2.66 [67,6] | 2.30 [58,4] | 1.74 [44,2] | 2.66 [67,6] | 2.30 [58,4] | 2.14 [54,4] | .80 [20,3] | 3.84 [97,5] | 2.60 [66,0] | 1.66 [42,2] | 1.00 [25,4] | 2.80 [71,1] | 1.60 [40,6] | .15 [3,8] | 180 | 90 | .143 [64,86] |
| 222A196 | 3.45 [87,6] | 2.71 [68,8] | 2.18 [55,4] | 3.45 [87,6] | 2.71 [68,8] | 2.48 [63,0] | .92 [23,4] | 5.04 [128,0] | 3.12 [79,2] | 1.93 [49,0] | 1.00 [25,4] | 3.45 [87,6] | 2.22 [56,4] | .18 [4,6] | 180 | 90 | .310 [140,6] |

CUSTOMER DRAWING

UNLESS OTHERWISE SPECIFIED DIMENSIONS ARE INCHES. METRIC DIMENSIONS ARE IN BRACKETS.
 DECIMAL TOLERANCES
 .XXX ± 0.005 [0.13 mm]
 .XX ± 0.01 [0.25 mm]
 .X ± 0.1 [0.50 mm]
 ANGLE TOLERANCE
 .X ± 1 DEG.
 TE CONNECTIVITY RESERVES THE RIGHT TO AMEND THIS DRAWING AT ANY TIME. USERS SHOULD EVALUATE THE SUITABILITY OF THE PRODUCT FOR THEIR APPLICATION.
 © 2004, 2011 Tyco Electronics Corporation, a TE Connectivity Ltd. company. All rights reserved.

DRAWN
YUNGUYEN
APPROVED
DHURRELL
THIRD ANGLE PROJECTION



Raychem Molded Parts
305 Constitution Dr
Menlo Park, CA 94025

TITLE
BOOT, 90 DEGREE,
THIN WALL
SIZE B CODE IDENT. NO. 06090 DWG. NO. 222A111thru196
DO NOT SCALE THIS DRAWING SHEET 1 OF 1