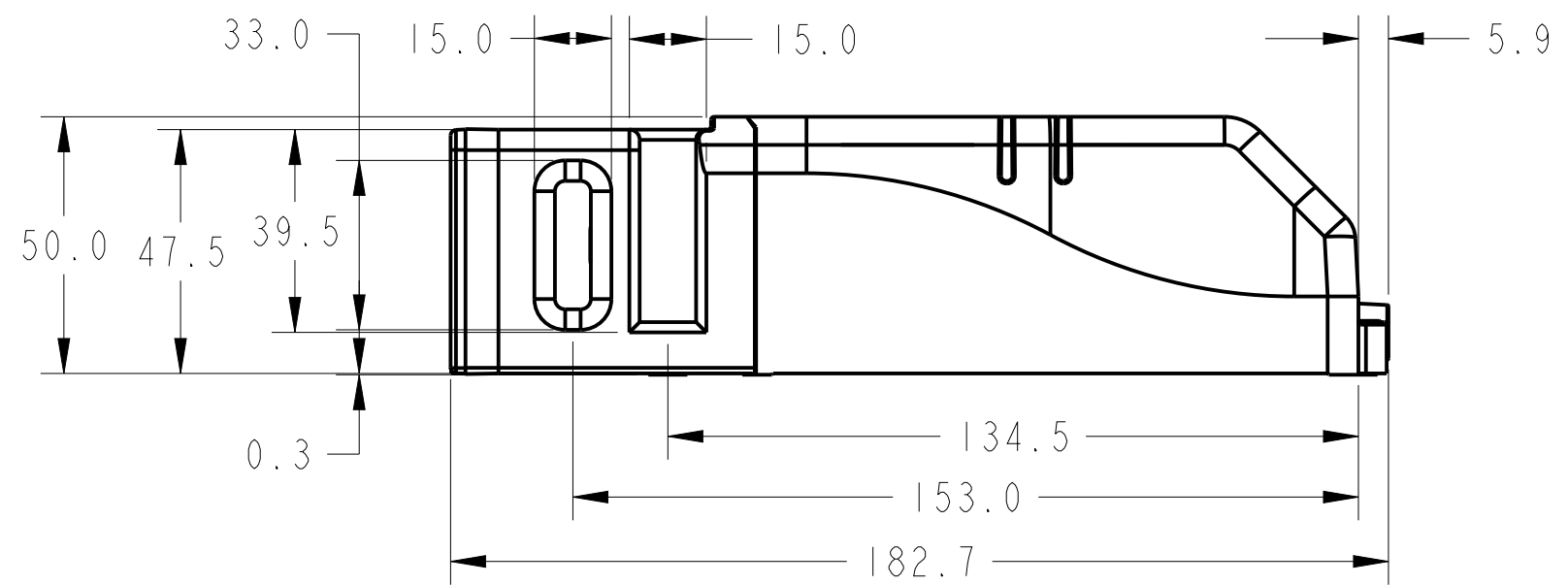
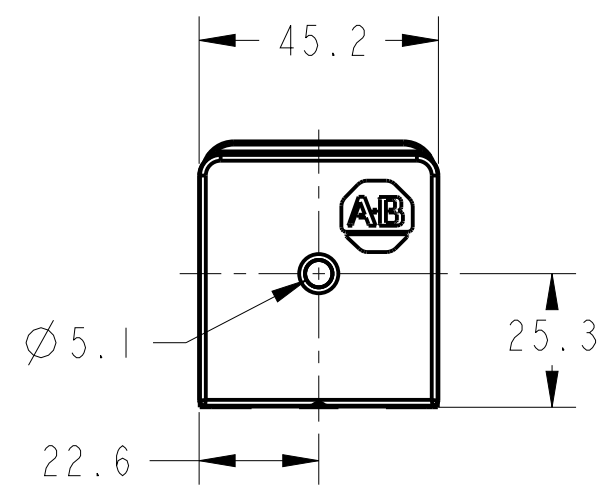
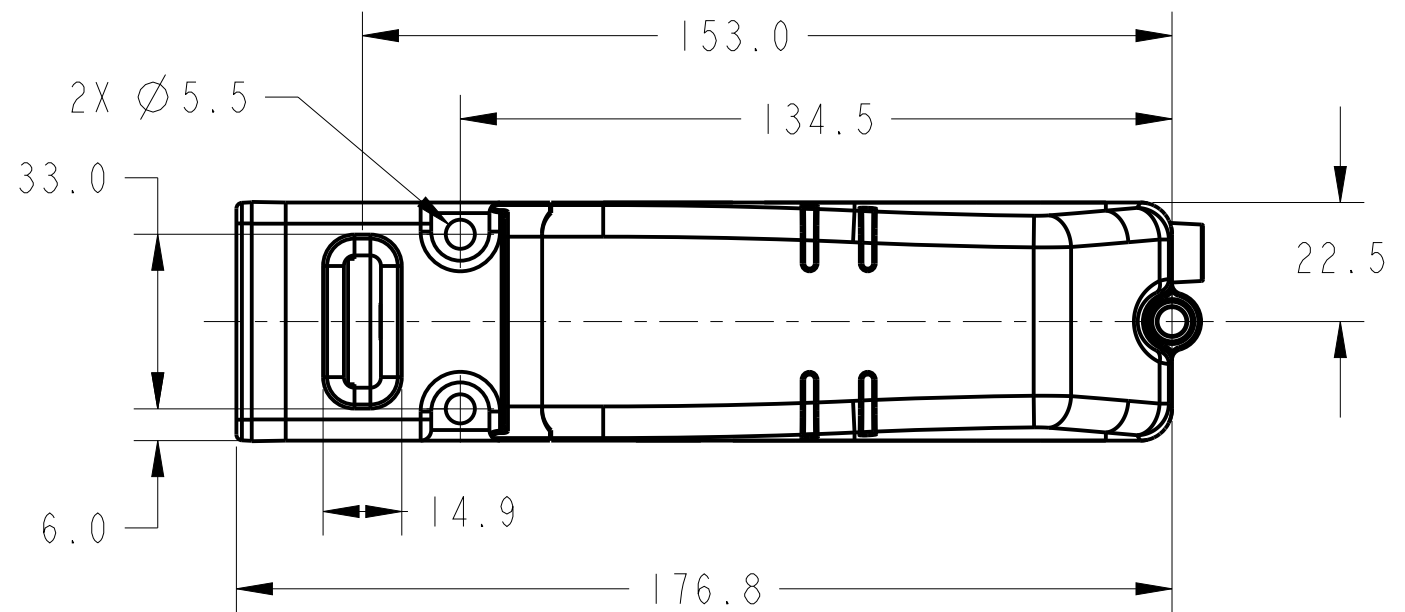


1 2 3 4 5 6 7 8

A
B
C
D
E
F
G
H

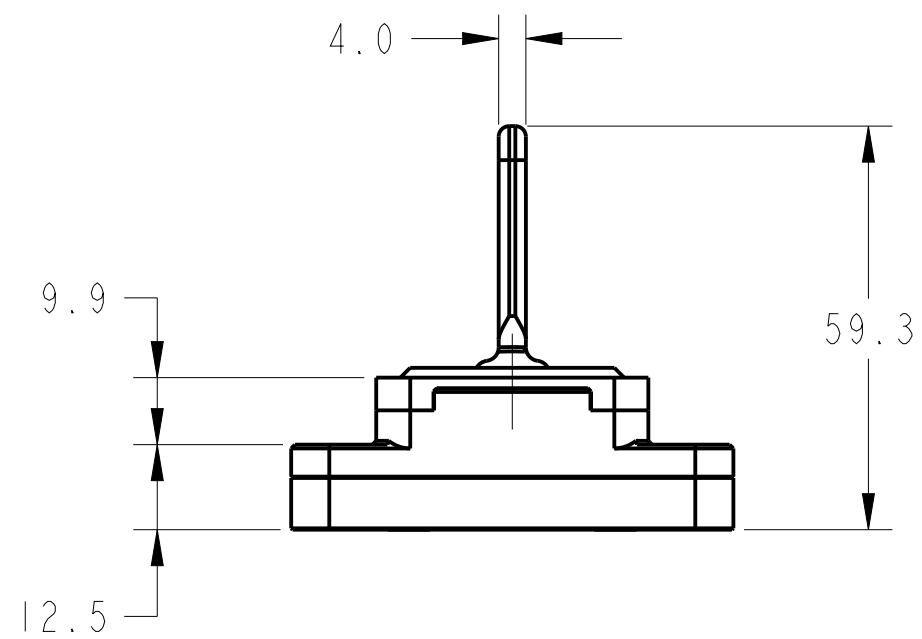
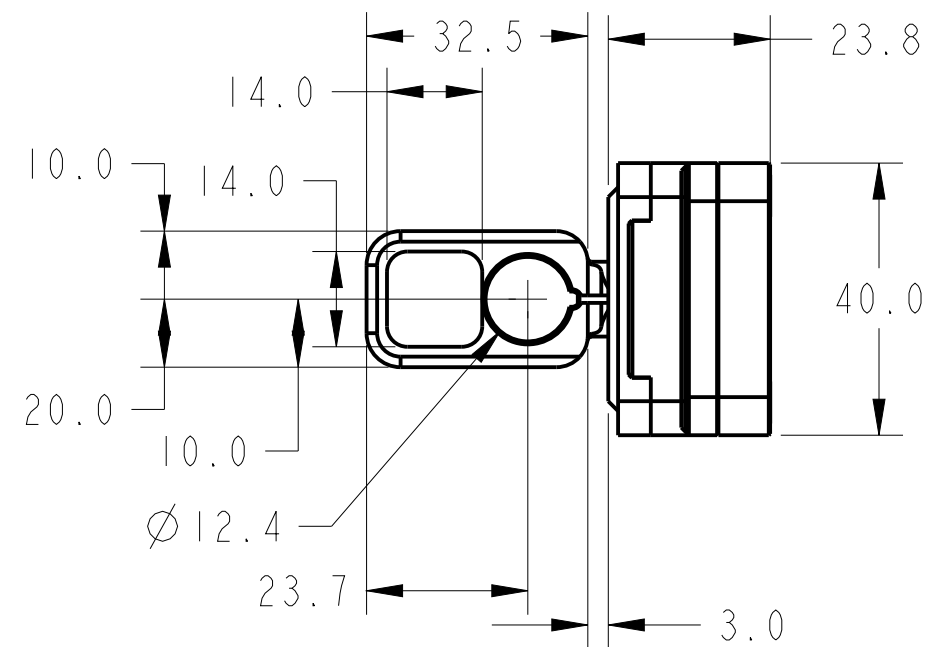
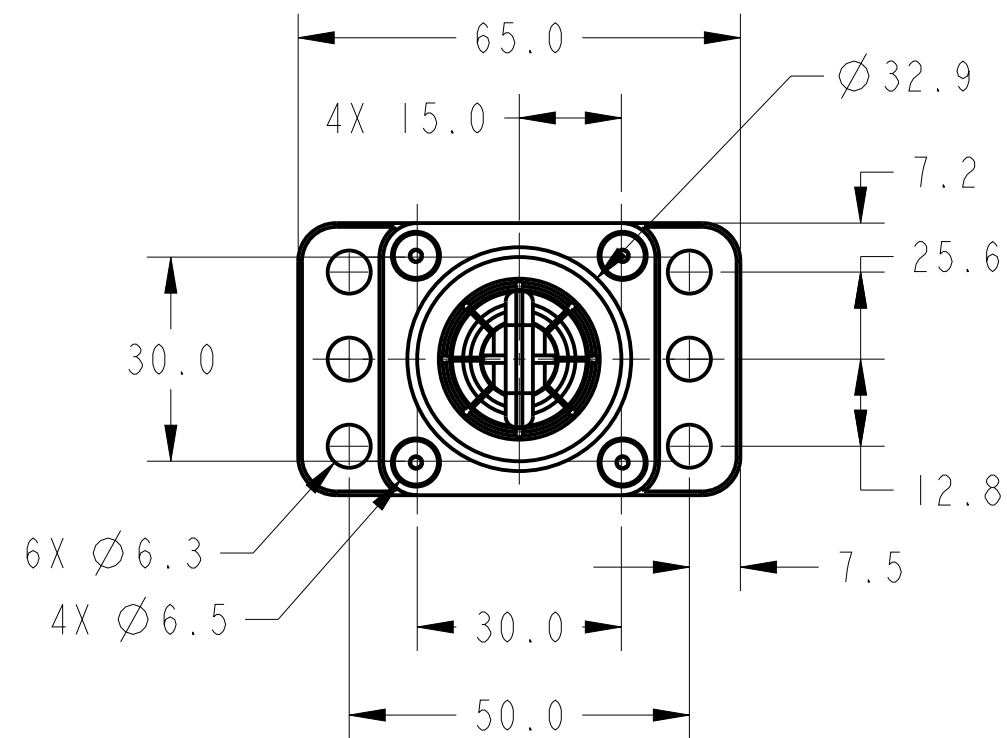
A
B
C
D
E
F
G
H



CONFIDENTIAL AND PROPRIETARY INFORMATION.
THIS DOCUMENT CONTAINS CONFIDENTIAL AND PROPRIETARY
INFORMATION OF ROCKWELL AUTOMATION, INC. AND MAY
NOT BE USED, COPIED OR DISCLOSED TO OTHERS, EXCEPT
WITH THE AUTHORIZED WRITTEN PERMISSION OF ROCKWELL
AUTOMATION, INC.

DESCRIPTION	SWITCH BODY			DATE: 2019-09-20
	SIZE	DIR	VER	
CREATED BY: SMATHAP	CHANGED BY: *****	B		00

1 2 3 4 5 6 7 8



CONFIDENTIAL AND PROPRIETARY INFORMATION.
THIS DOCUMENT CONTAINS CONFIDENTIAL AND PROPRIETARY
INFORMATION OF ROCKWELL AUTOMATION, INC. AND MAY
NOT BE USED, COPIED OR DISCLOSED TO OTHERS, EXCEPT
WITH THE AUTHORIZED WRITTEN PERMISSION OF ROCKWELL
AUTOMATION, INC.

DESCRIPTION

ACTUATOR

DATE: 2019-09-20

SIZE DIR

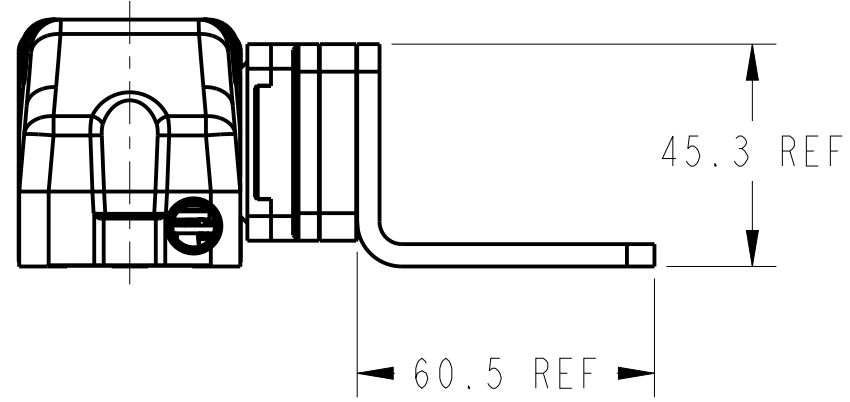
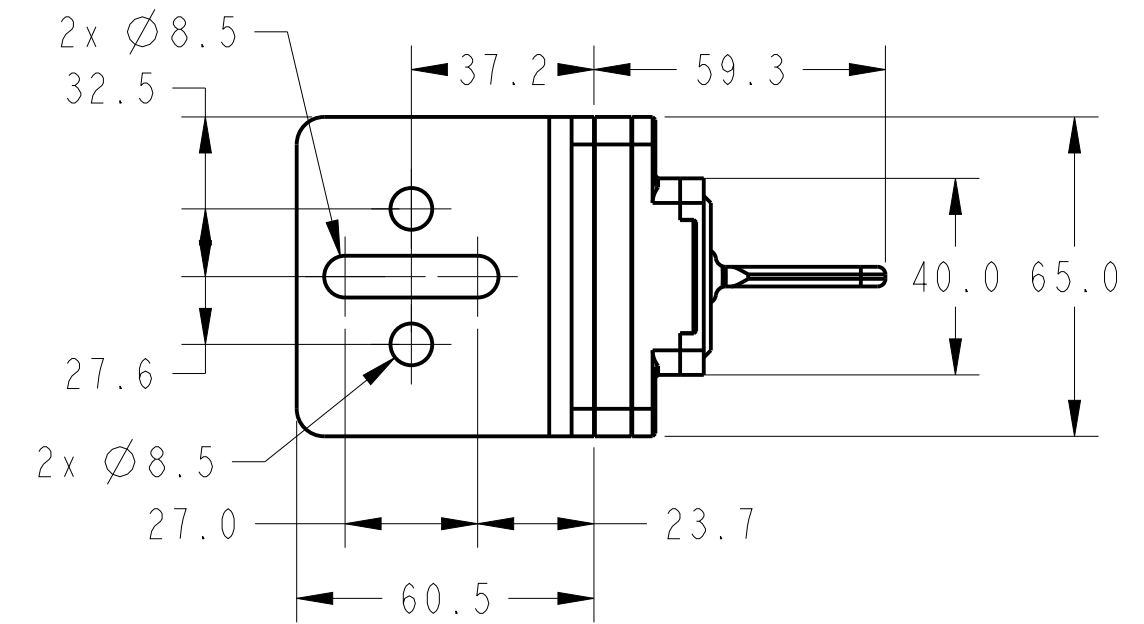
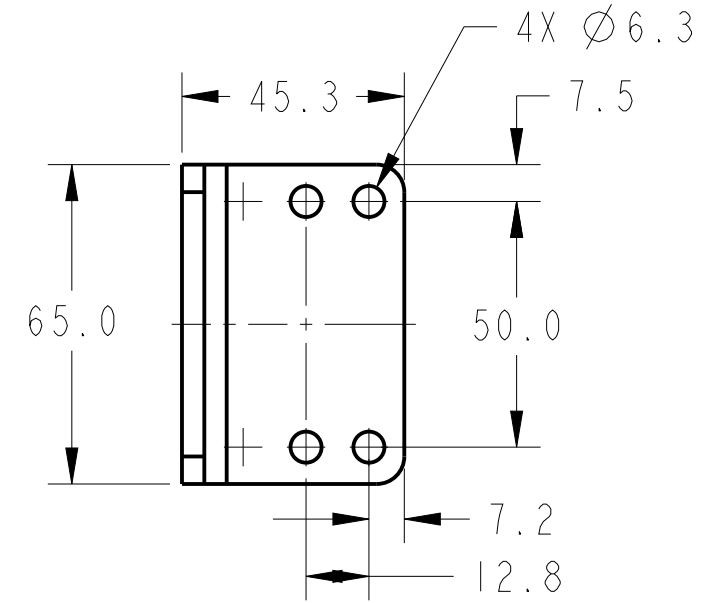
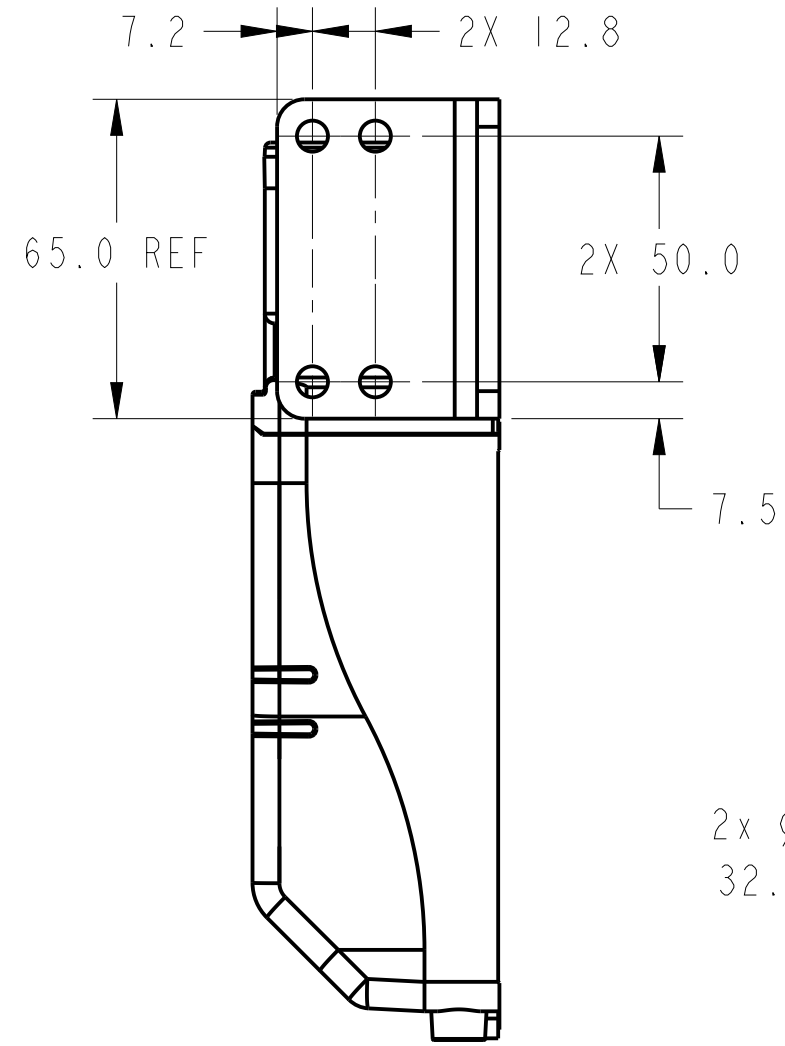
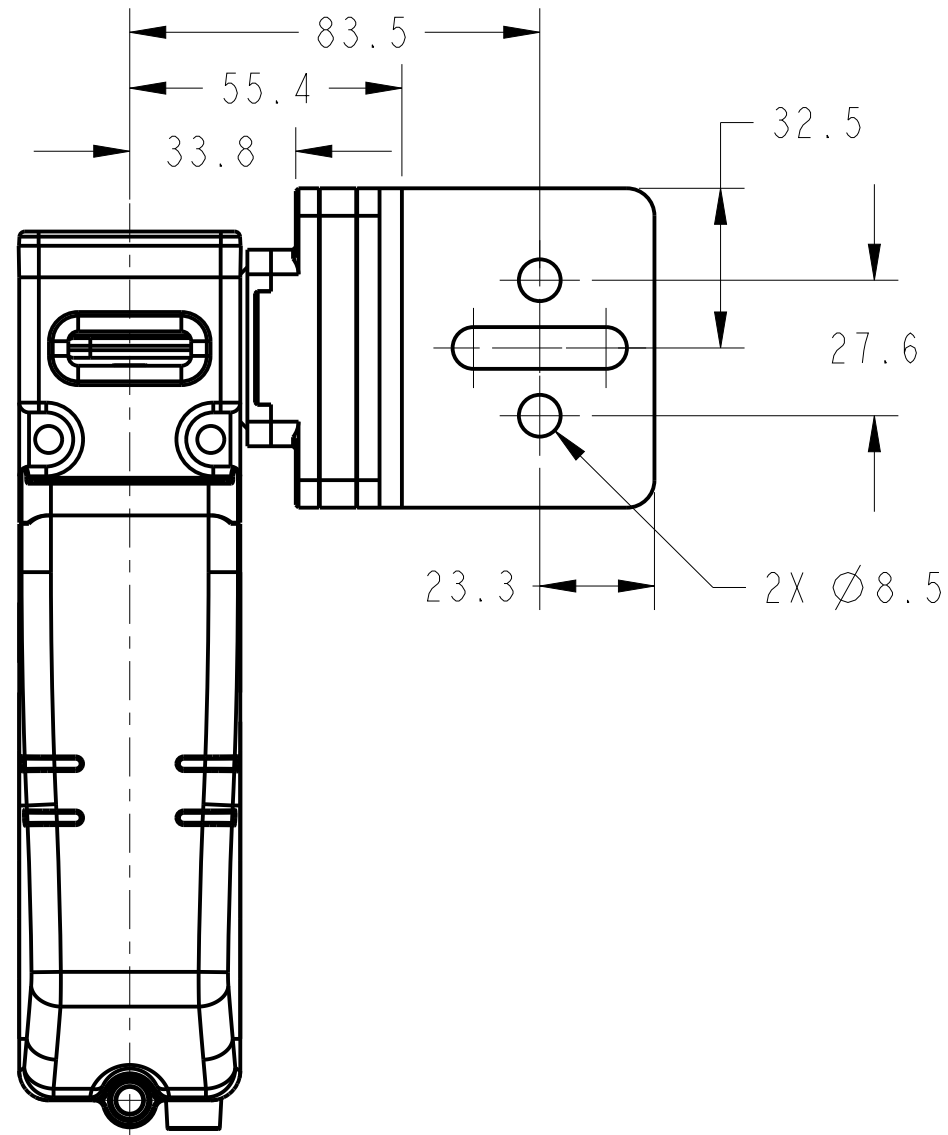
B

VER

00

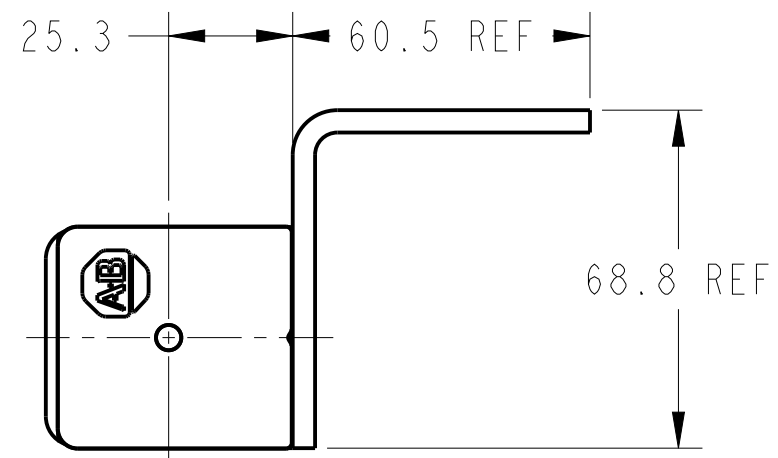
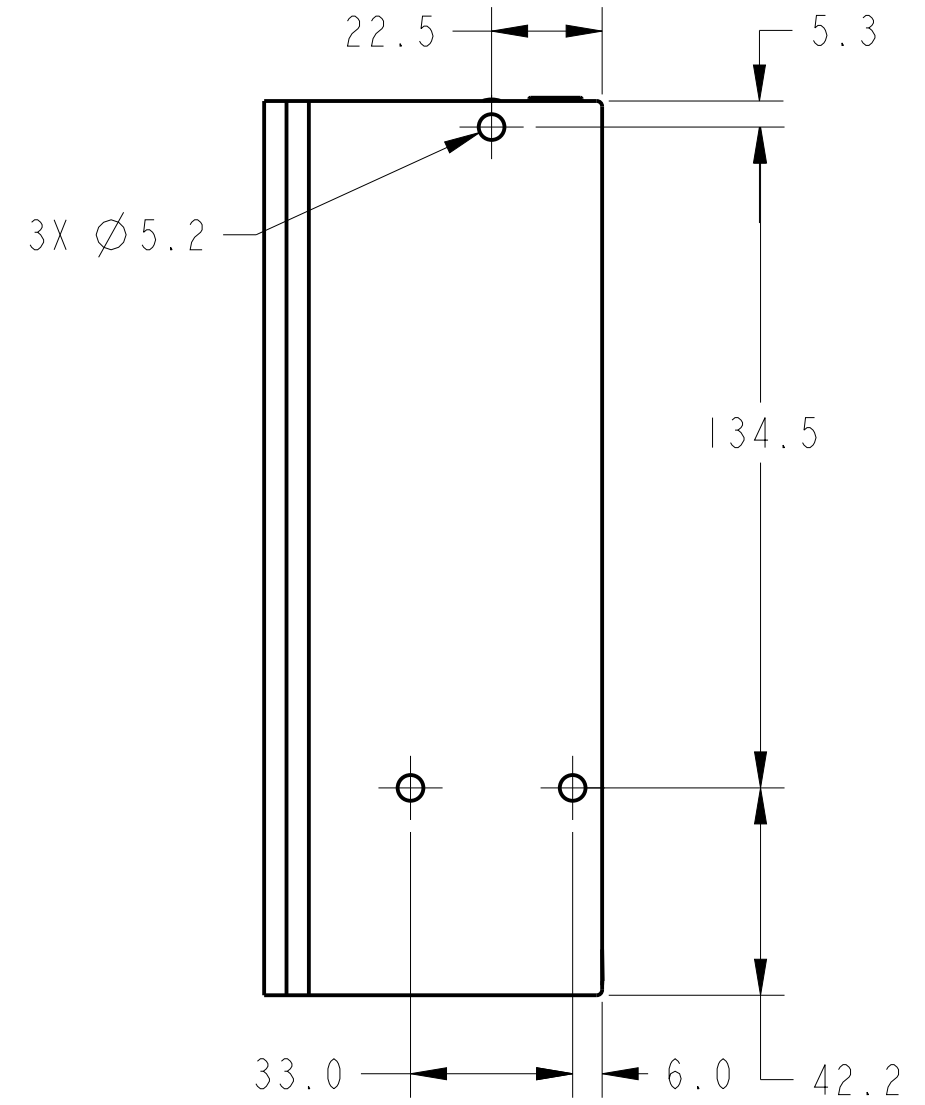
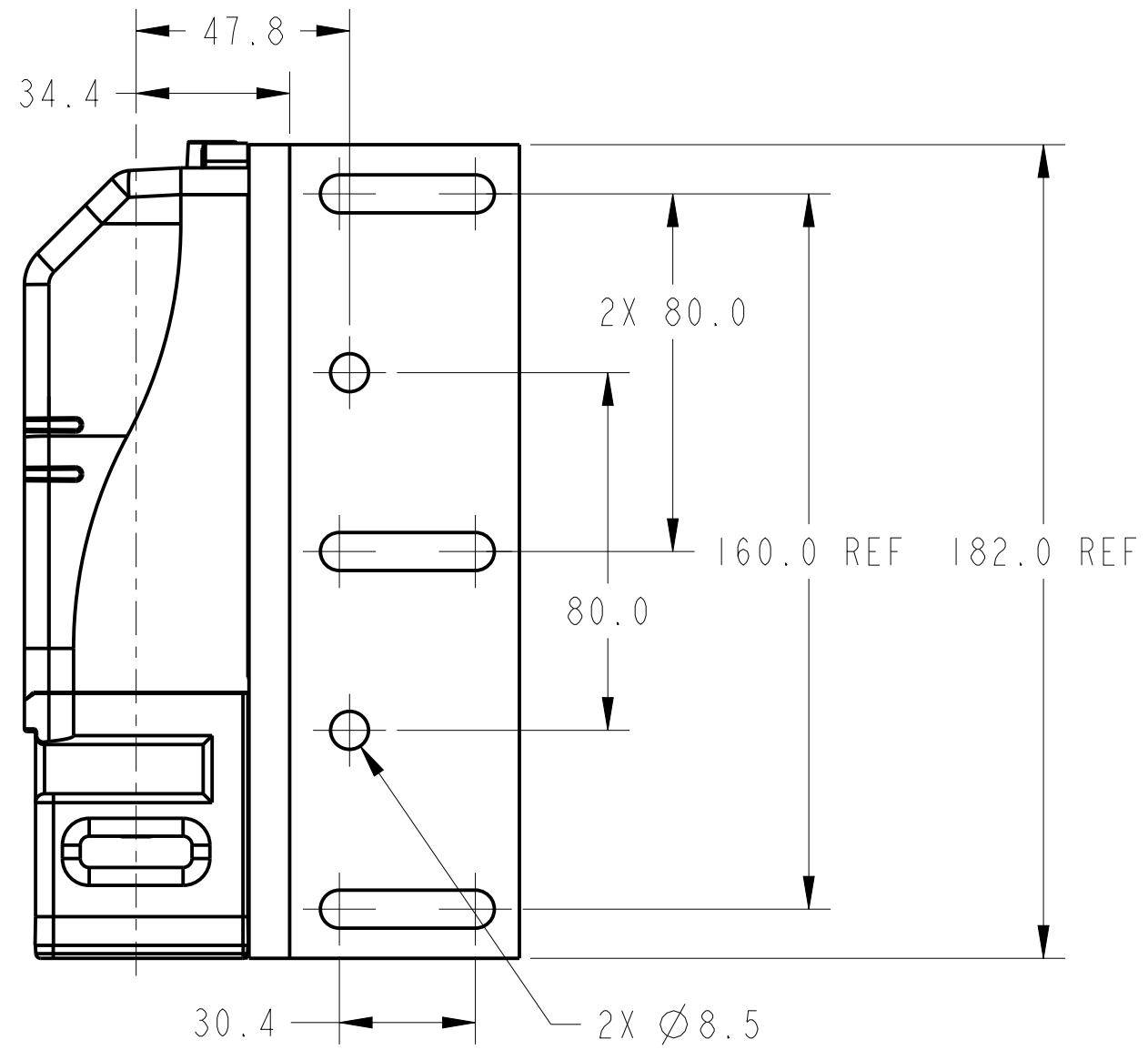
CREATED BY: SMATHAP

CHANGED BY: *****



CONFIDENTIAL AND PROPRIETARY INFORMATION. THIS DOCUMENT CONTAINS CONFIDENTIAL AND PROPRIETARY INFORMATION OF ROCKWELL AUTOMATION, INC. AND MAY NOT BE USED, COPIED OR DISCLOSED TO OTHERS, EXCEPT WITH THE AUTHORIZED WRITTEN PERMISSION OF ROCKWELL AUTOMATION, INC.

DESCRIPTION	L bracket, actuator_asm		
	DATE: 2019-09-20	SIZE	DIR
CREATED BY: SMATHAP	CHANGED BY: *****	B	VER 00



CONFIDENTIAL AND PROPRIETARY INFORMATION.
 THIS DOCUMENT CONTAINS CONFIDENTIAL AND PROPRIETARY
 INFORMATION OF ROCKWELL AUTOMATION, INC. AND MAY
 NOT BE USED, COPIED OR DISCLOSED TO OTHERS, EXCEPT
 WITH THE AUTHORIZED WRITTEN PERMISSION OF ROCKWELL
 AUTOMATION, INC.

DESCRIPTION

L bracket, switch_asm

DATE: 2019-09-20

SIZE DIR

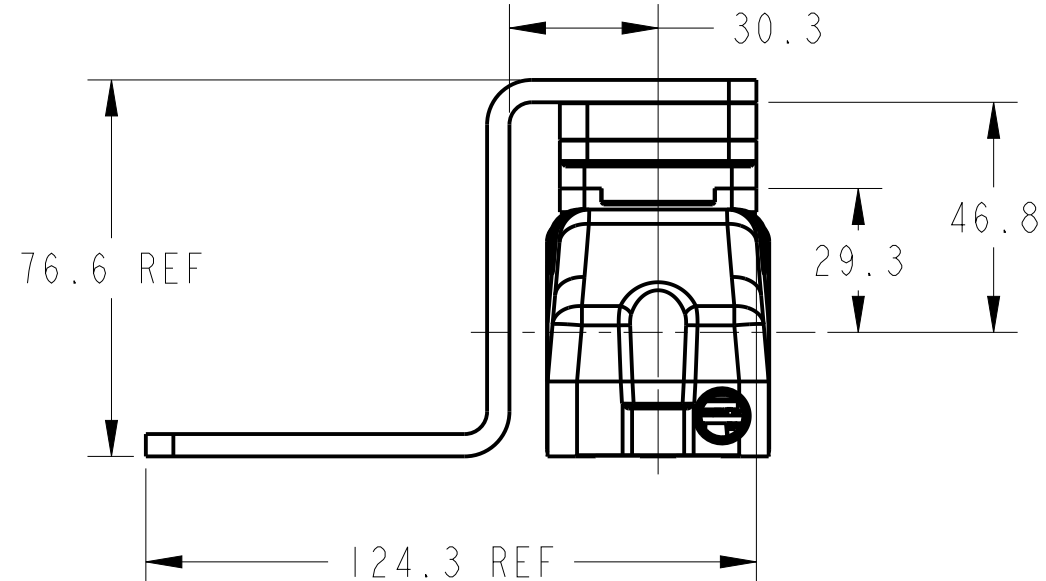
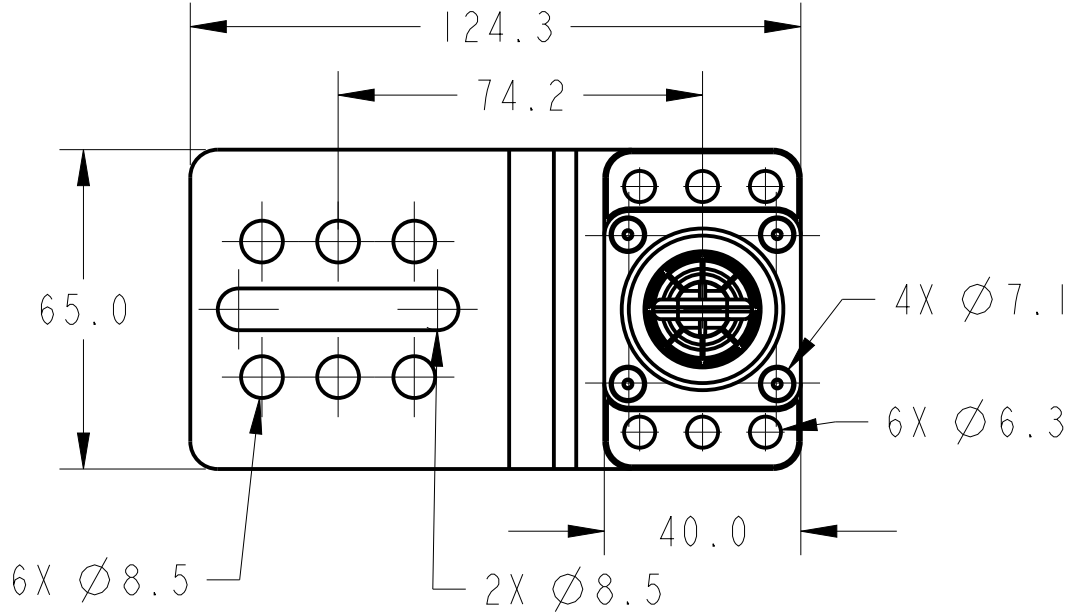
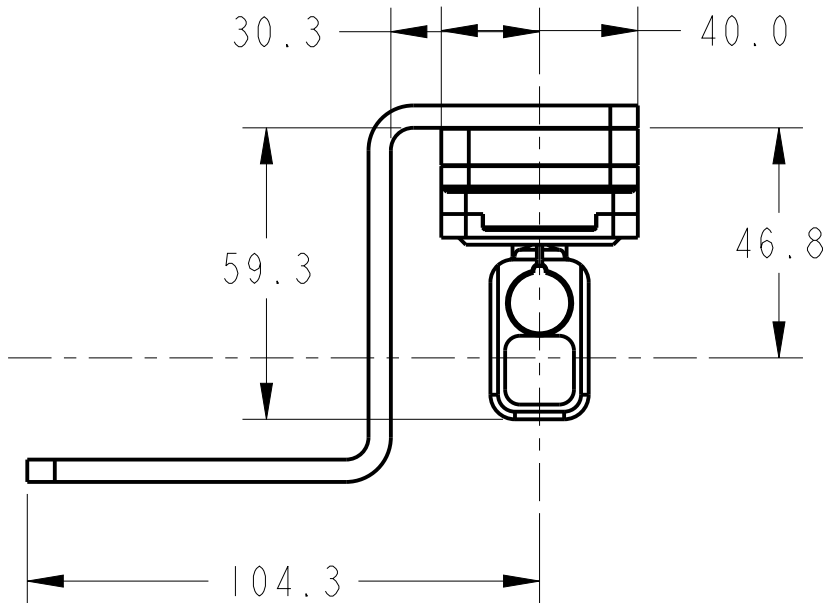
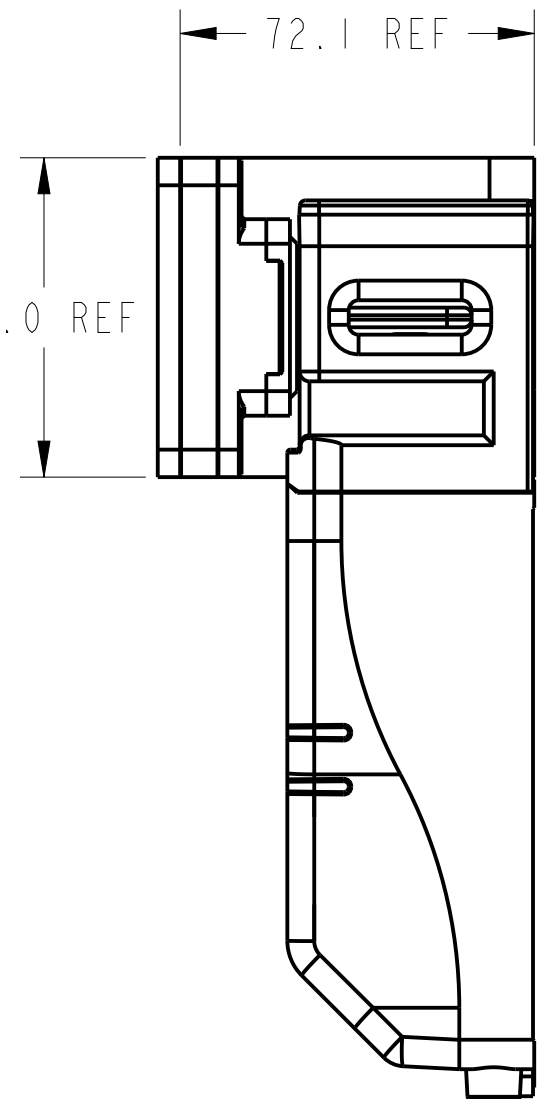
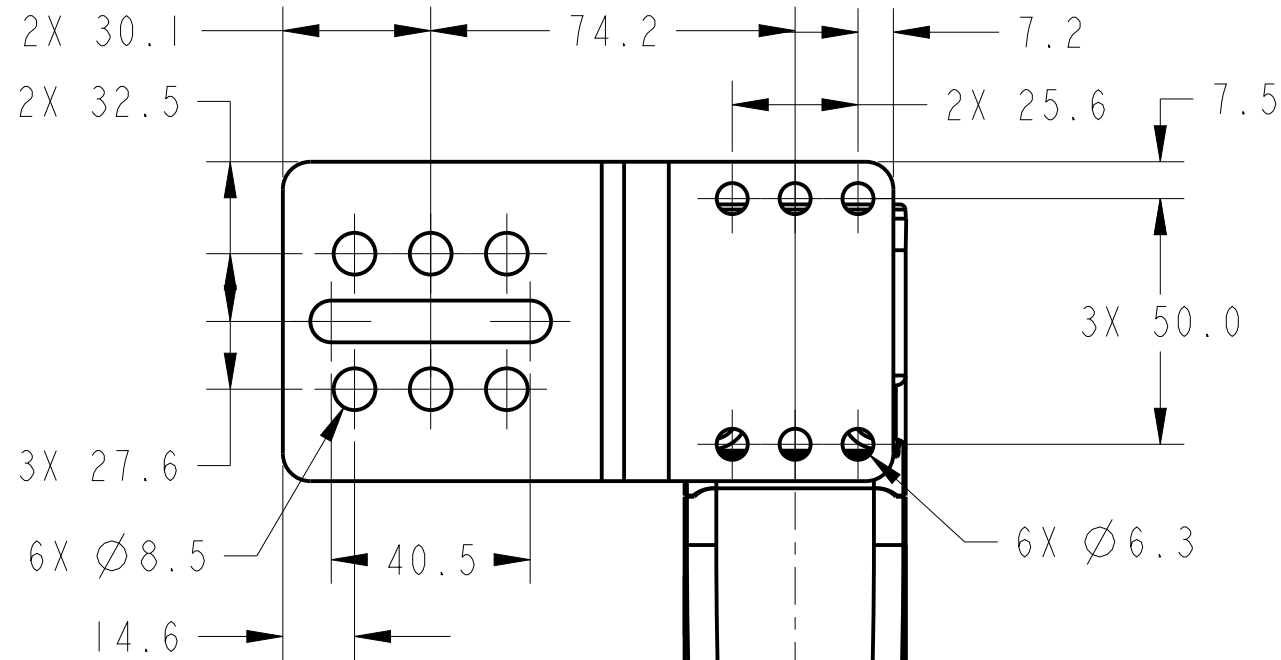
B

VER

00

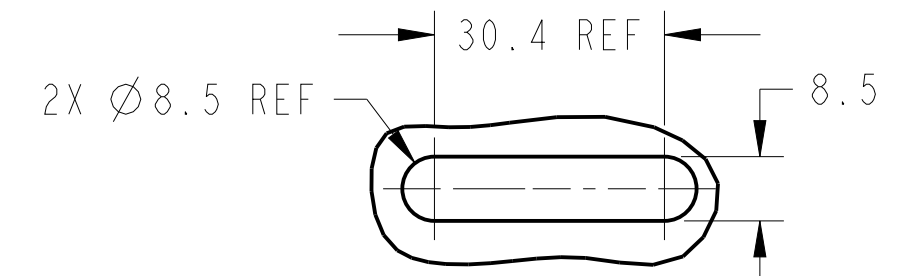
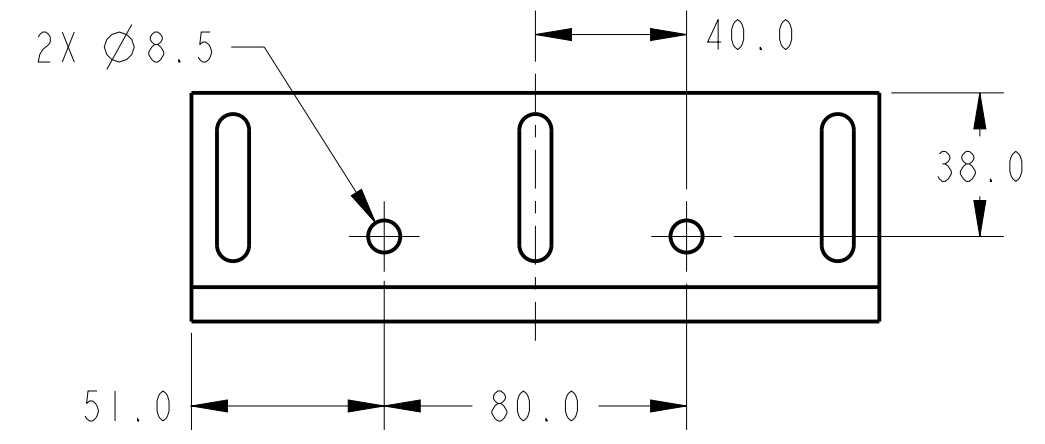
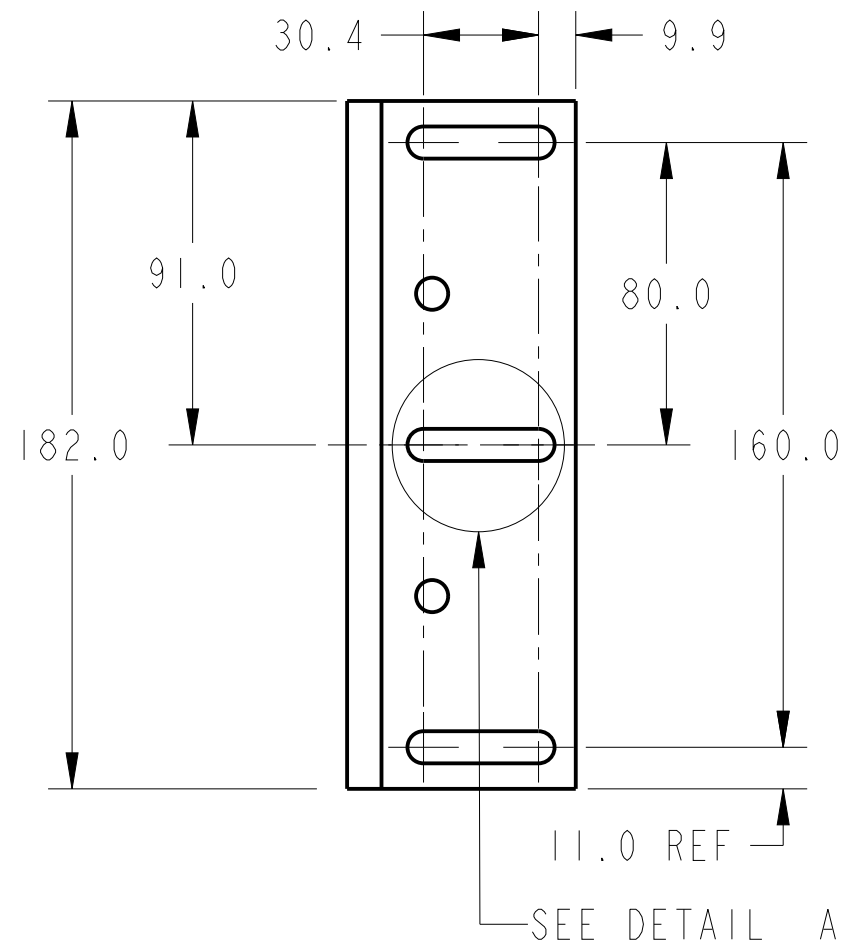
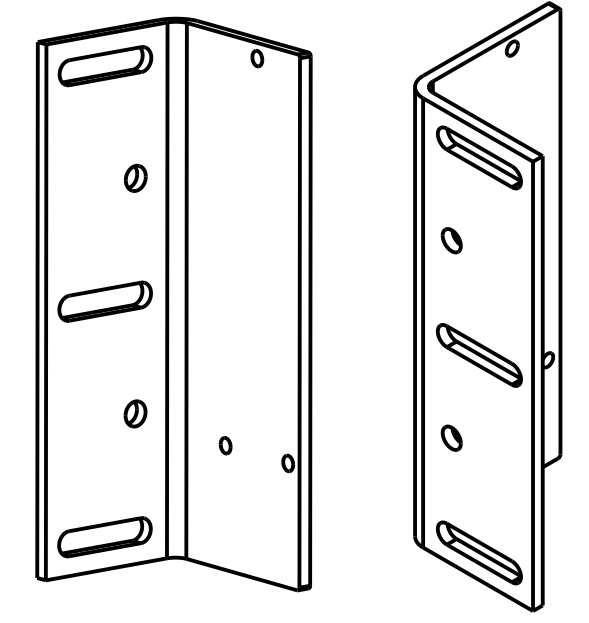
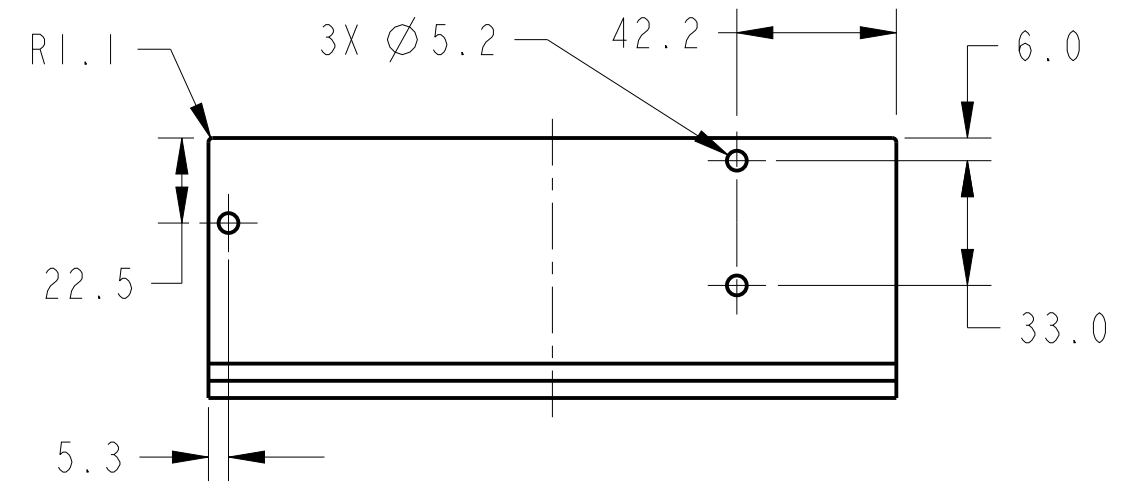
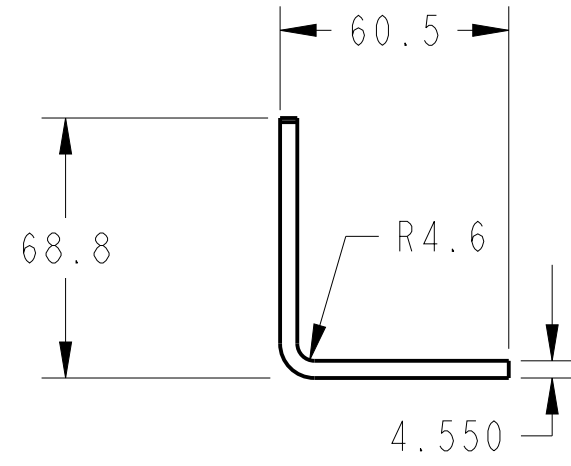
CREATED BY: SMATHAP

CHANGED BY: *****



CONFIDENTIAL AND PROPRIETARY INFORMATION. THIS DOCUMENT CONTAINS CONFIDENTIAL AND PROPRIETARY INFORMATION OF ROCKWELL AUTOMATION, INC. AND MAY NOT BE USED, COPIED OR DISCLOSED TO OTHERS, EXCEPT WITH THE AUTHORIZED WRITTEN PERMISSION OF ROCKWELL AUTOMATION, INC.

DESCRIPTION	Z bracket, actuator_asm		
	DATE: 2019-09-20	SIZE	DIR
CREATED BY: SMATHAP	CHANGED BY: *****	B	VER 00

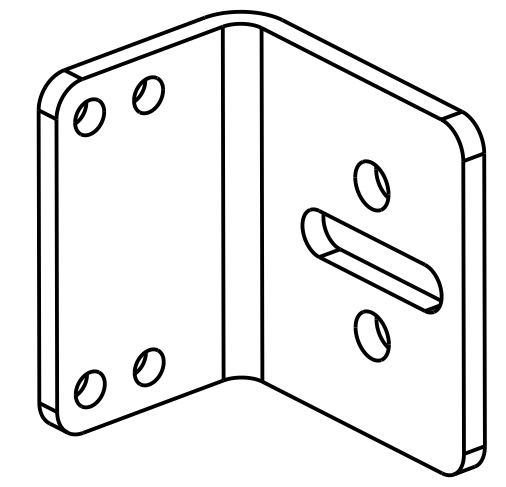
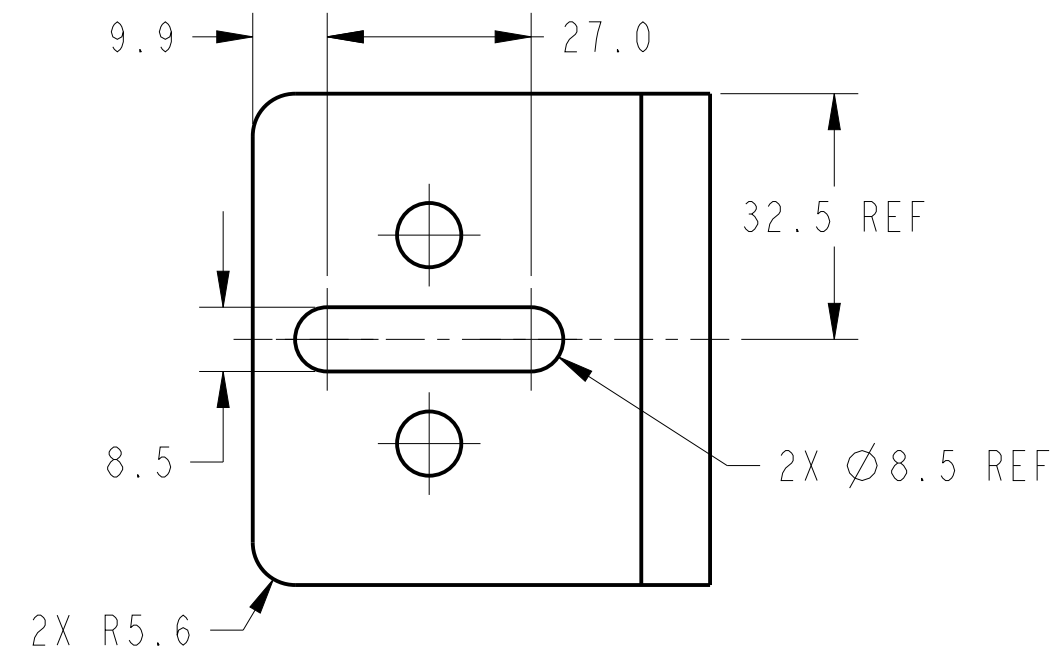
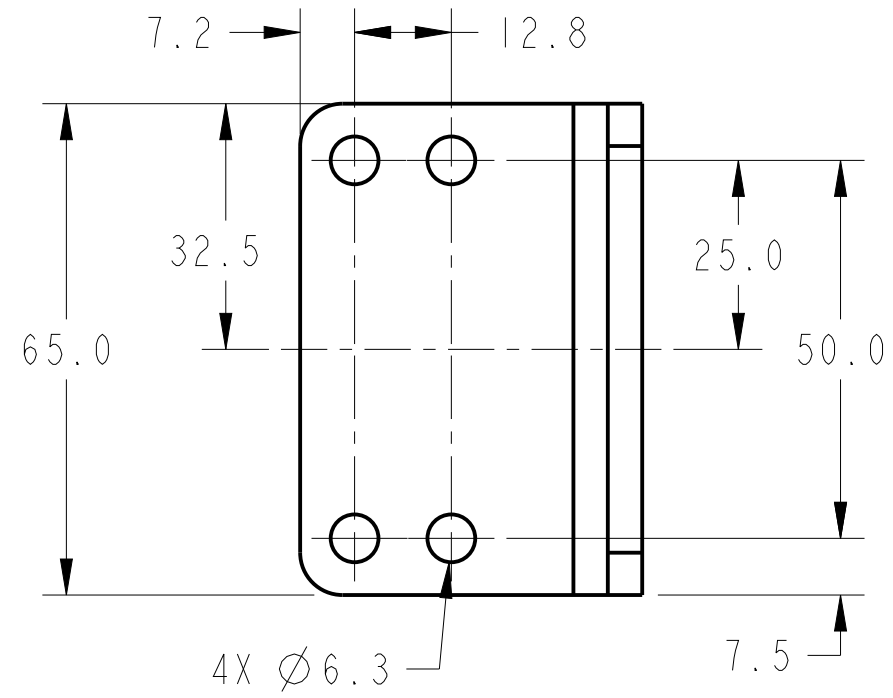
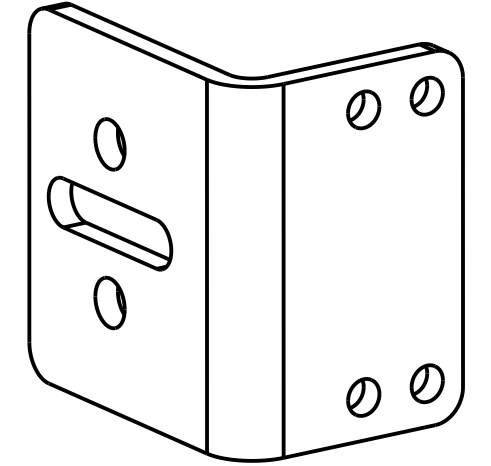
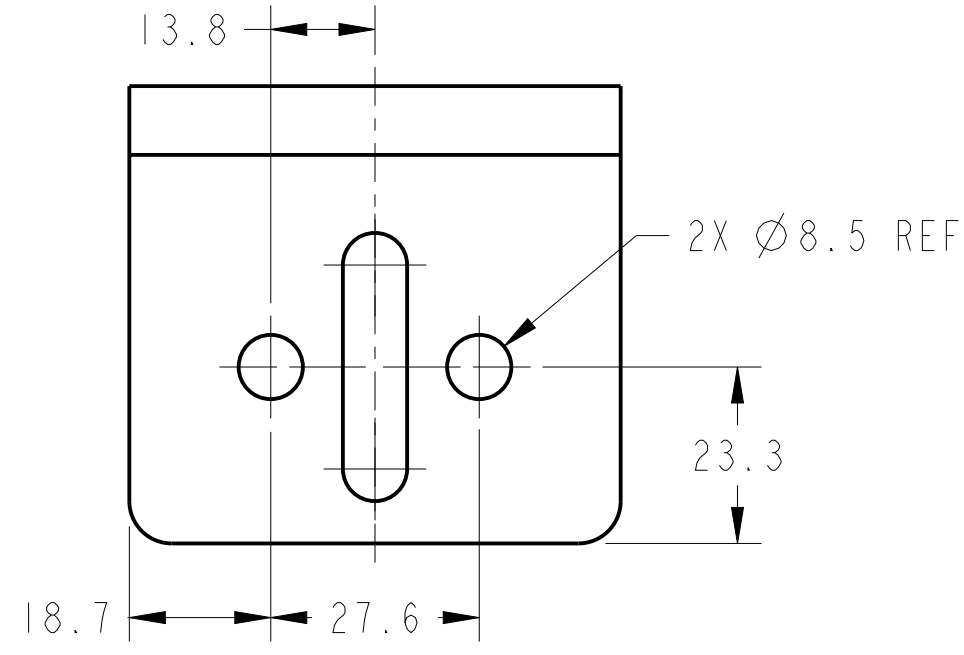
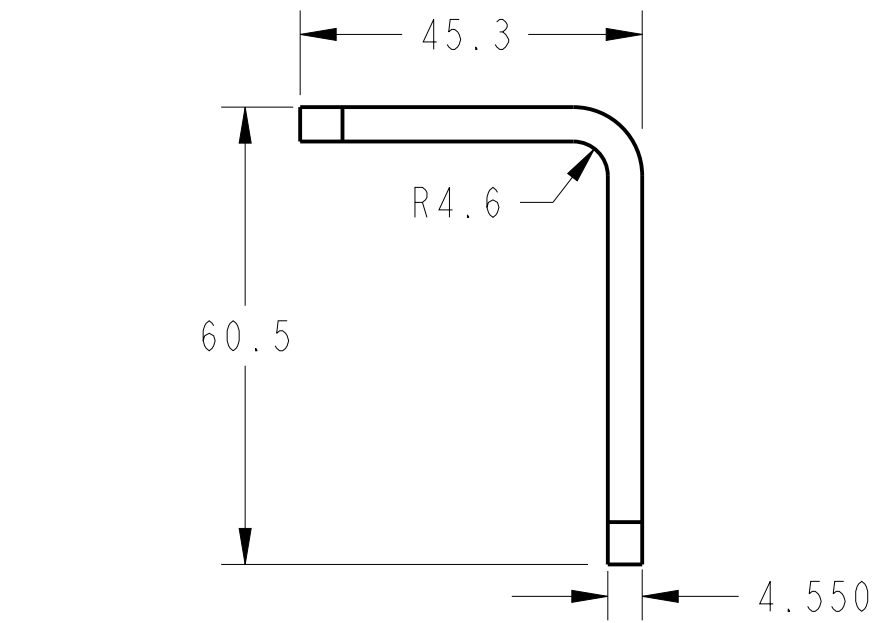


3X DETAIL A
SCALE 1.000



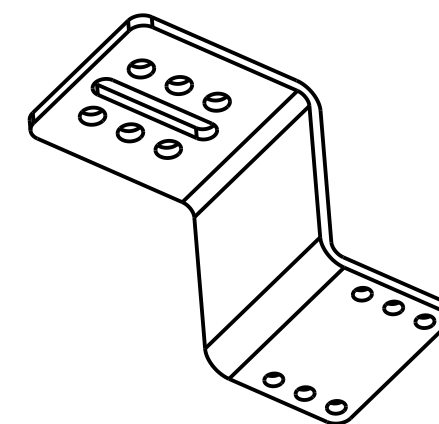
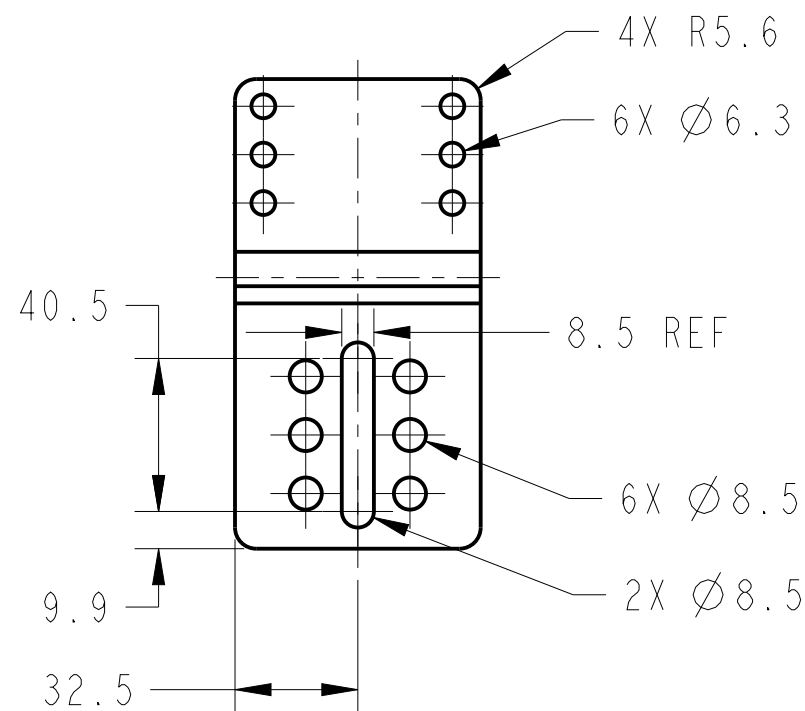
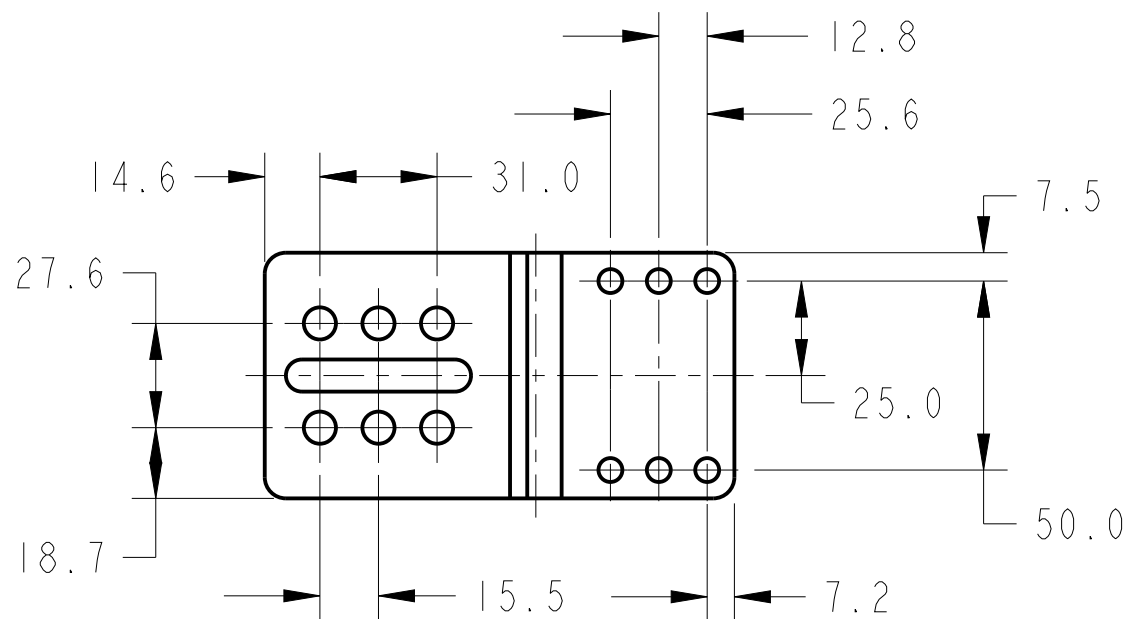
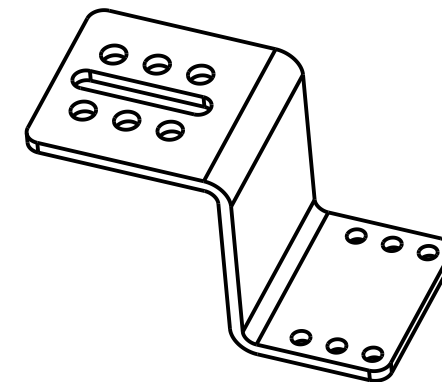
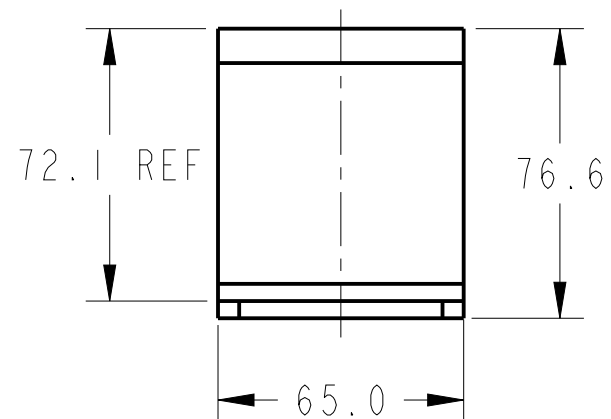
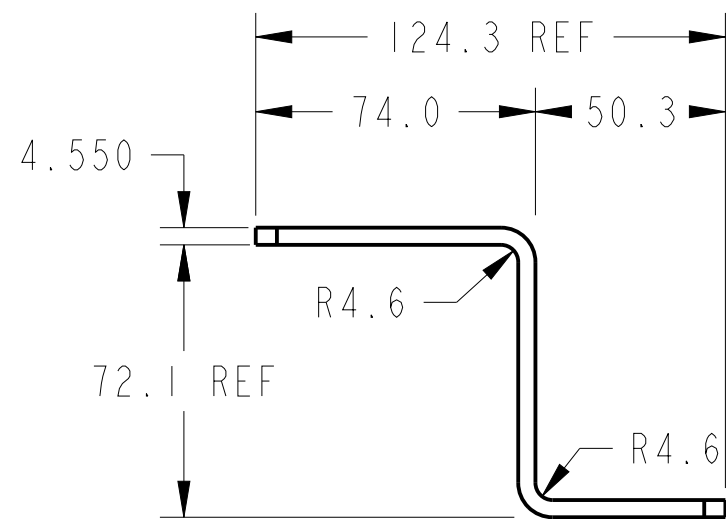
CONFIDENTIAL AND PROPRIETARY INFORMATION.
THIS DOCUMENT CONTAINS CONFIDENTIAL AND PROPRIETARY
INFORMATION OF ROCKWELL AUTOMATION, INC. AND MAY
NOT BE USED, COPIED OR DISCLOSED TO OTHERS, EXCEPT
WITH THE AUTHORIZED WRITTEN PERMISSION OF ROCKWELL
AUTOMATION, INC.

DESCRIPTION	L bracket, switch		
	DATE: 2019-05-31		
CREATED BY: SRA01	CHANGED BY: *****	SIZE: B	DIR: VER: 00



CONFIDENTIAL AND PROPRIETARY INFORMATION.
THIS DOCUMENT CONTAINS CONFIDENTIAL AND PROPRIETARY
INFORMATION OF ROCKWELL AUTOMATION, INC. AND MAY
NOT BE USED, COPIED OR DISCLOSED TO OTHERS, EXCEPT
WITH THE AUTHORIZED WRITTEN PERMISSION OF ROCKWELL
AUTOMATION, INC.

DESCRIPTION	L bracket, actuator		
	DATE: 2019-05-31		
CREATED BY: SRA01	CHANGED BY: *****	SIZE: B	DIR: 00



CONFIDENTIAL AND PROPRIETARY INFORMATION.
THIS DOCUMENT CONTAINS CONFIDENTIAL AND PROPRIETARY
INFORMATION OF ROCKWELL AUTOMATION, INC. AND MAY
NOT BE USED, COPIED OR DISCLOSED TO OTHERS, EXCEPT
WITH THE AUTHORIZED WRITTEN PERMISSION OF ROCKWELL
AUTOMATION, INC.

DESCRIPTION

Z bracket, actuator

DATE: 2019-05-31

SIZE DIR

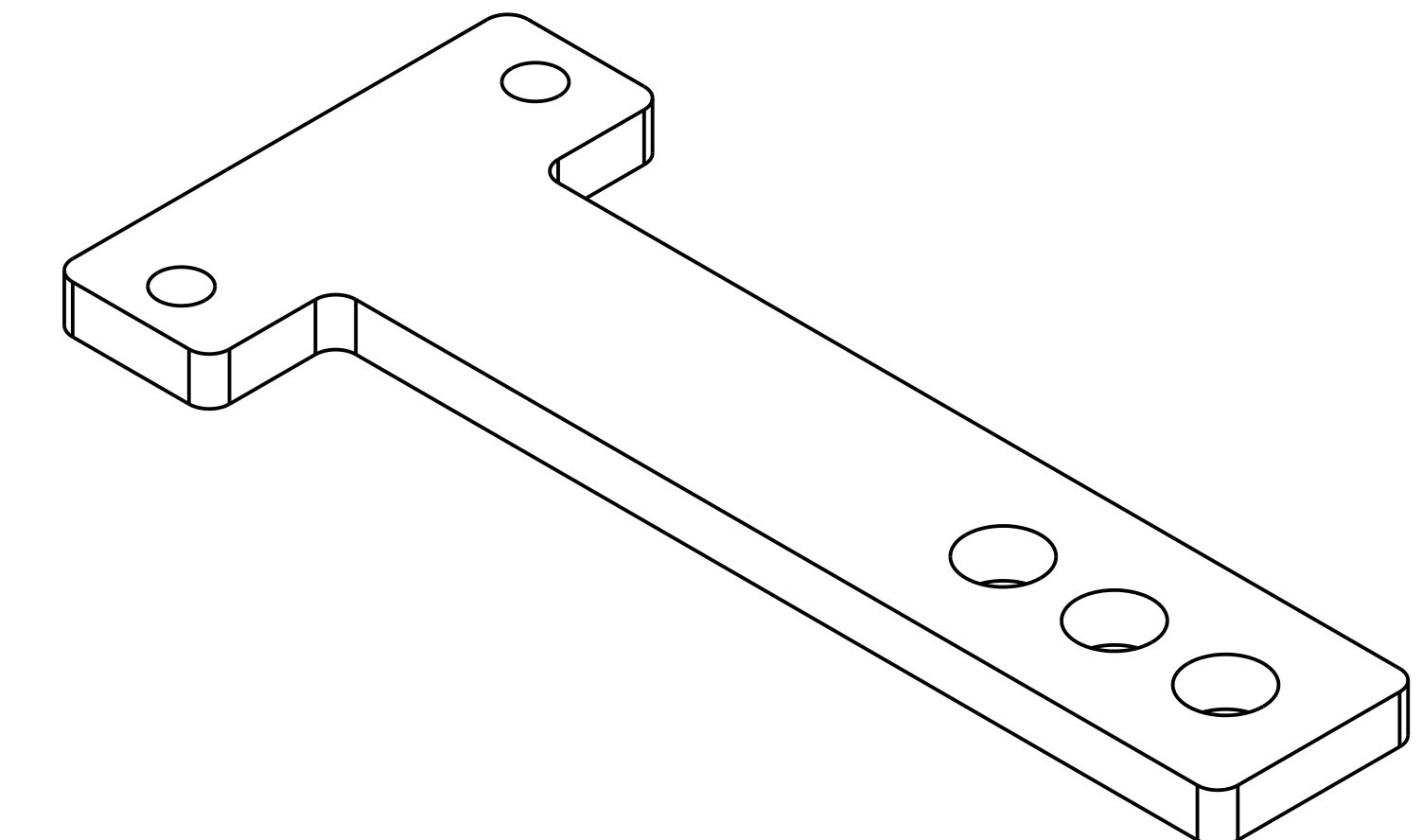
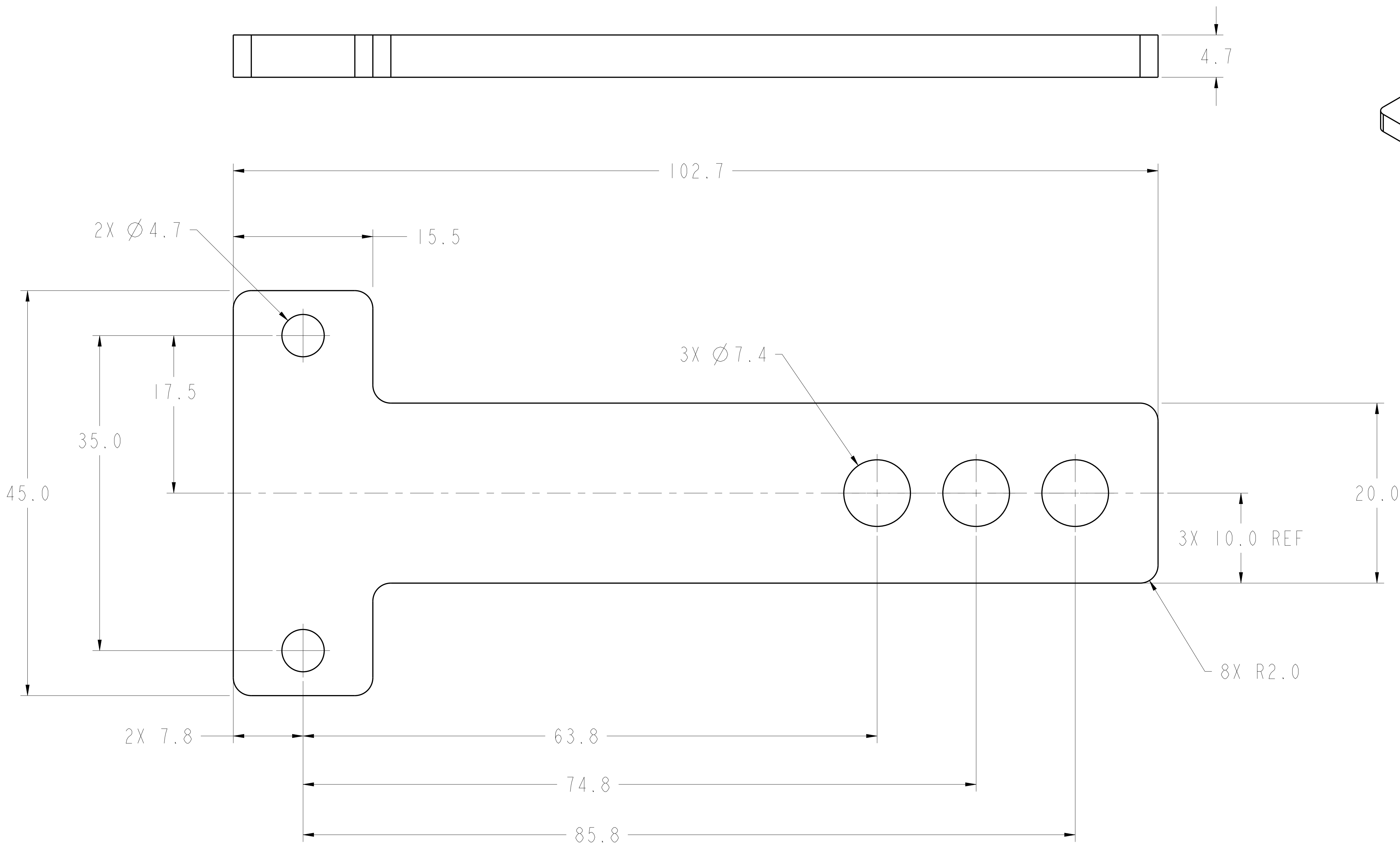
VER

B

00

CREATED BY: SRA01

CHANGED BY: *****



		<small>CONFIDENTIAL AND PROPRIETARY INFORMATION THIS DOCUMENT CONTAINS CONFIDENTIAL AND PROPRIETARY INFORMATION OF ROCKWELL AUTOMATION, INC. AND MAY NOT BE USED, COPIED OR DISCLOSED TO OTHERS, EXCEPT WITH THE AUTHORIZED WRITTEN PERMISSION OF ROCKWELL AUTOMATION, INC.</small>	
		<small>DATE: 2019-03-07</small>	<small>VER</small>
<small>DESCRIPTION</small>	<p align="center">padlock</p>	<small>SIZE</small>	<small>DIR</small>
<small>CREATED BY: SRA01</small>	<small>CHANGED BY: *****</small>	<p align="center">D</p>	<p align="center">00</p>