



Input characteristics

Control voltage 3...32VDC

Operating voltage limits

| | | |
|----------------------------|---|---|
| Operating voltage pick-up | V | 3 |
| Operating voltage drop-out | V | 2 |

Input current at min...max voltage mA 4...12

Operating times

Switching-on Half cycle max

Switching-off Half cycle max

Output characteristics

Static output type SCR (silicon controlled rectifier)

Switching mode Zero crossing

Rated operating voltage VAC 12...275

Blocking voltage V 600

Operational frequency (min...max) Hz 45...65

Rated operating current AC-51 (resistive load) at 40°C A 20

Rated operating current AC-51 (resistive load) at 55°C A 17

Operational current min A 0.165

Non repetitive surge peak on state current t=10ms A 400

Off state leakage current mA 1

On state output voltage drop V 1.2

Critical rate of rise of off-state voltage dv/dt V/μs 500

Input - Output isolation V 5000

Input - Output to metal base V 5000

Output protection type VDR

I2t A2s 792

Terminal characteristics

Control terminals Type Screw

Terminals tool Blade 3.5mm

Tightening torque control terminals

| | |
|------|-------|
| Nm | 0.5Nm |
| Ibin | 4.5 |

Conductor section connectable (control terminals) with 1 or 2 wires min...max

| | | |
|----------------------------------|-----|------------|
| AWG stranded | n° | 28...12 |
| Flexible w/o lug | mm2 | 0.75...2.5 |
| Flexible c/w insulated spade lug | mm2 | 0.75...2.5 |

Load terminals Type Screw

Load terminals tool PH2

Tightening torque load terminals

| | |
|------|------|
| Nm | 1.5 |
| Ibin | 13.3 |

Conductor section connectable (load terminals) with 1 or 2 wires min...max

| | | |
|--------------|----|---------|
| AWG stranded | n° | 18...10 |
|--------------|----|---------|

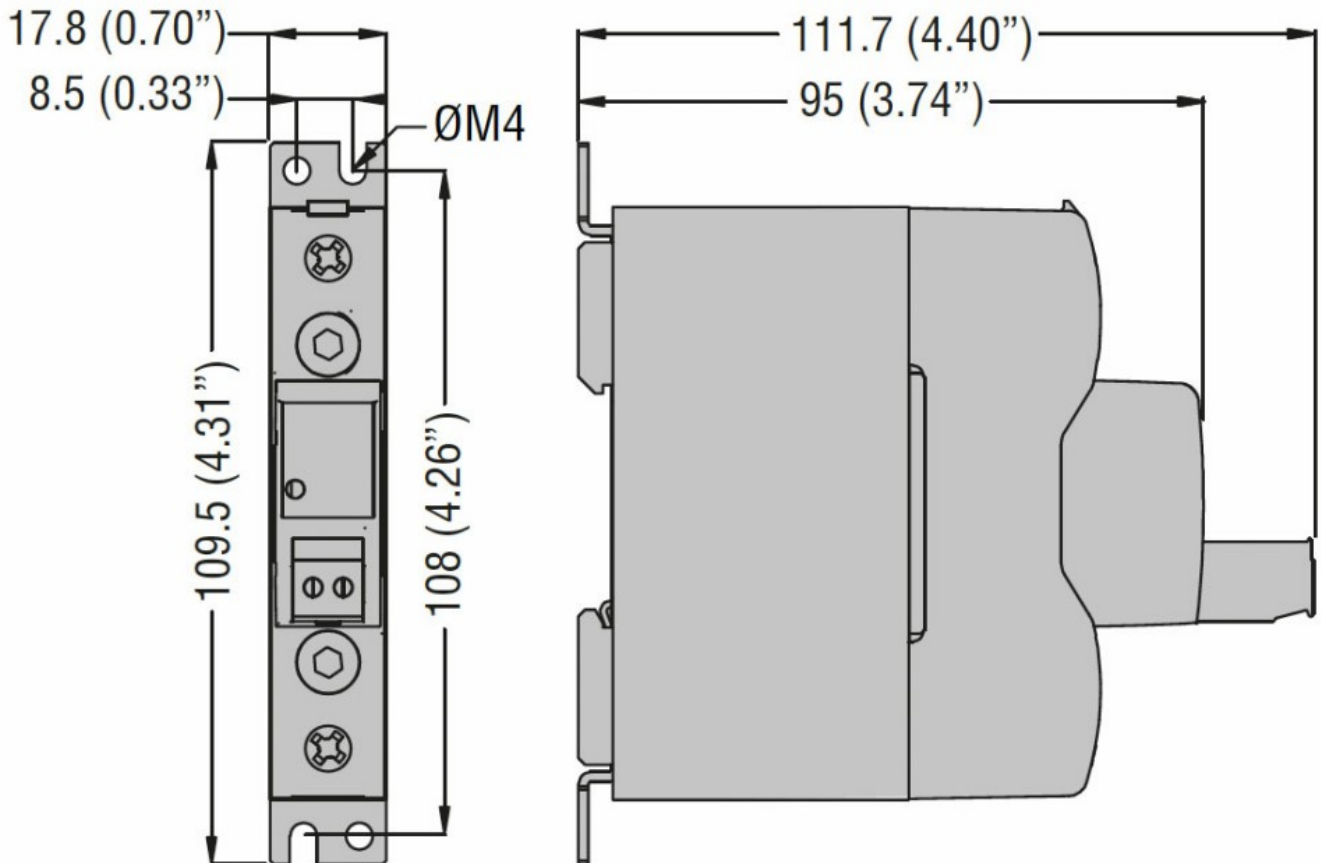
| | | |
|----------------------------------|-----------------|--------|
| Flexible w/o lug | mm ² | 1...6 |
| Flexible c/w insulated spade lug | mm ² | 1...16 |

| | | |
|--------------------|-----------|---------------------------|
| Operating position | allowable | On vertical plane |
| Fixing | | Screw or on 35mm DIN rail |

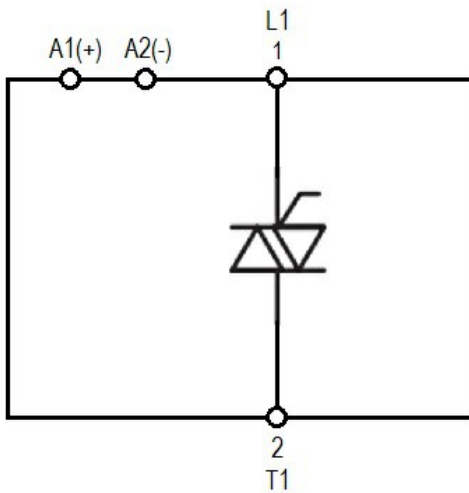
Ambient conditions

| | | | | |
|-------------|-----------------------|-----|----|------|
| Temperature | Operating temperature | min | °C | -40 |
| | | max | °C | +80 |
| | Storage temperature | min | °C | -40 |
| | | max | °C | +130 |

Dimensions



Wiring diagrams



Certifications and compliance

Certifications

IEC/EN/BS 60335-1

IEC/EN/BS 60947-4-2

IEC/EN/BS 60947-4-3

IEC/EN/BS 62314

Compliance

cULus

ETIM classification

EC000066 - Power contactor, AC switching