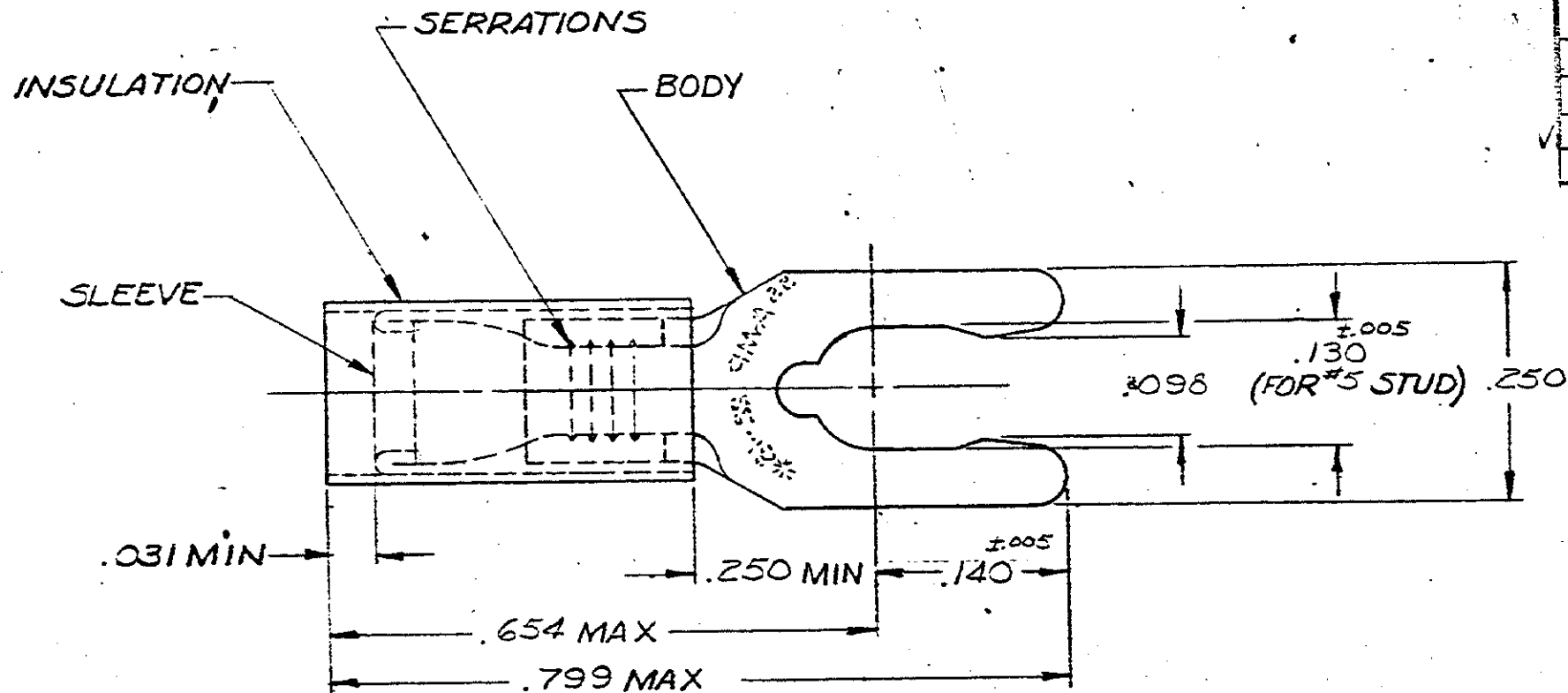


© 1971 BY AMP INCORPORATED. ALL RIGHTS RESERVED. AMP PRODUCTS COVERED BY PATENTS AND/OR PATENTS PENDING.

REVISIONS				
ZONE	LTR	DESCRIPTION	DATE	APPROVED
	O	NPS 71-0665 (REV. 0)	28 9-14-71	FCY
	A	ADDED TAPE NO.	28 2-24-72	Jme
	B	REVISED PER ECN P-5578	28 7-29-72	Jme
	C	REV. PER ECN P-6954	28 12-13-72	Jme
	D	REV. G-3044	28 4-12-88	LY
	E	REV PER G-5668	2/5/91	DKS/JME
	F	REV/0720-0049-93	3-18-93	TQ/mj



FOR .080 TO .125 WIRE INS. DIA
 TONGUE MATERIAL THK = .031 ±.002
 MARKING 22-18 FOR MILITARY
 COMMERCIAL RANGE 22-16

100	LOOSE PC. BOX	8-52928-1	INSULATION: NYLON COLOR: RED
1	52928 ON TAPE	52928-1	SLEEVE: COPPER (QQ-C-576)
1	WIRE TERMINAL	52928	BODY: PHOSPHOR BRONZE (QQ-B-750)
QTY DESCRIPTION		PART. NO.	TIN PL (MIL-T-10727)
UNLESS OTHERWISE SPECIFIED DIMENSIONS ARE IN INCHES		CONTRACT NO. #	MATERIAL & FINISH
TOLERANCES ON:		DR. 9-13-71	AMP HARRISBURG, PENNSYLVANIA
DECIMALS ±.008		CHK. 9-14-71	
ANGLES ± 5°		APPD. 9-20-71	NAME WIRE TERMINAL
MATERIAL SEE TABLE		REL. 9-21-71	P.I.D.G.-SPRING SPADE (STUB)
		DSGN APPD.	WIRE SIZE: 22-16
		OTHER APPD.	SIZE B CODE IDENT. NO. 00779 NUMBER 52928
			SCALE NTS SHEET 1 OF 1

CUSTOMER DRAWING