

### Principle Applications

For continuous transfer/recirculation of aggressive chemicals, chilled water, pure or precious liquids, in photographic, reprographic, X-Ray and industrial processing equipment, particularly where space is limited.

### Wetted Materials

Standard EPDM 'O' ring, optional Nitrile or Viton®  
 PP encapsulated magnet  
 Alumina ceramic spindle  
 PP pump housing  
 PPS option available

### Features

Manufactured in chemical resistant thermoplastics - entirely non-metallic  
 Magnetic couplings provide an energy efficient thermal shield, minimising heat transfer to pumped fluids.  
 Leak free continuous operation  
 Drip-proof IP22 motor housing  
 Zero maintenance

### Options

**NDP35/3**  
 230V 1ph 50/60Hz  
 230V 1ph 50/60Hz

**Port Details**  
 Plain 22 mm  
 1/2" BSP M

**NDP35/3**  
 110V 1ph 50/60Hz  
 110V 1ph 50/60Hz

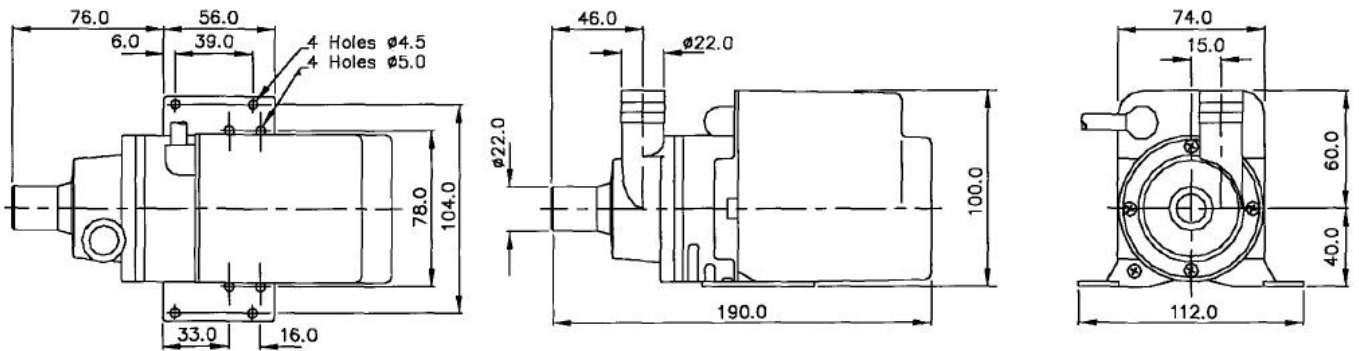
**Port Details**  
 Plain 22 mm  
 1/2" BSP M



**Installation**

Drawings not to scale  
 Dimensions in millimetres

**NDP35/3**



**Specification**

Model	Overall height (mm)	Overall length (mm)	Overall width (mm)	Weight (kg)	Max body pressure (bar)	Max capacity (l/min)	Max head (m)	Temp range (degC)	*Max specific gravity	Motor output (watts)
<b>NDP35/3</b>	100	190	112	2.0	1.4	50 Hz 35	2.3	-20 to +85	1.0	18
						60 Hz 33	3.6			

\*Assuming maximum viscosity of 30cp. Refer to Totton Pumps for higher viscosities and specific gravities

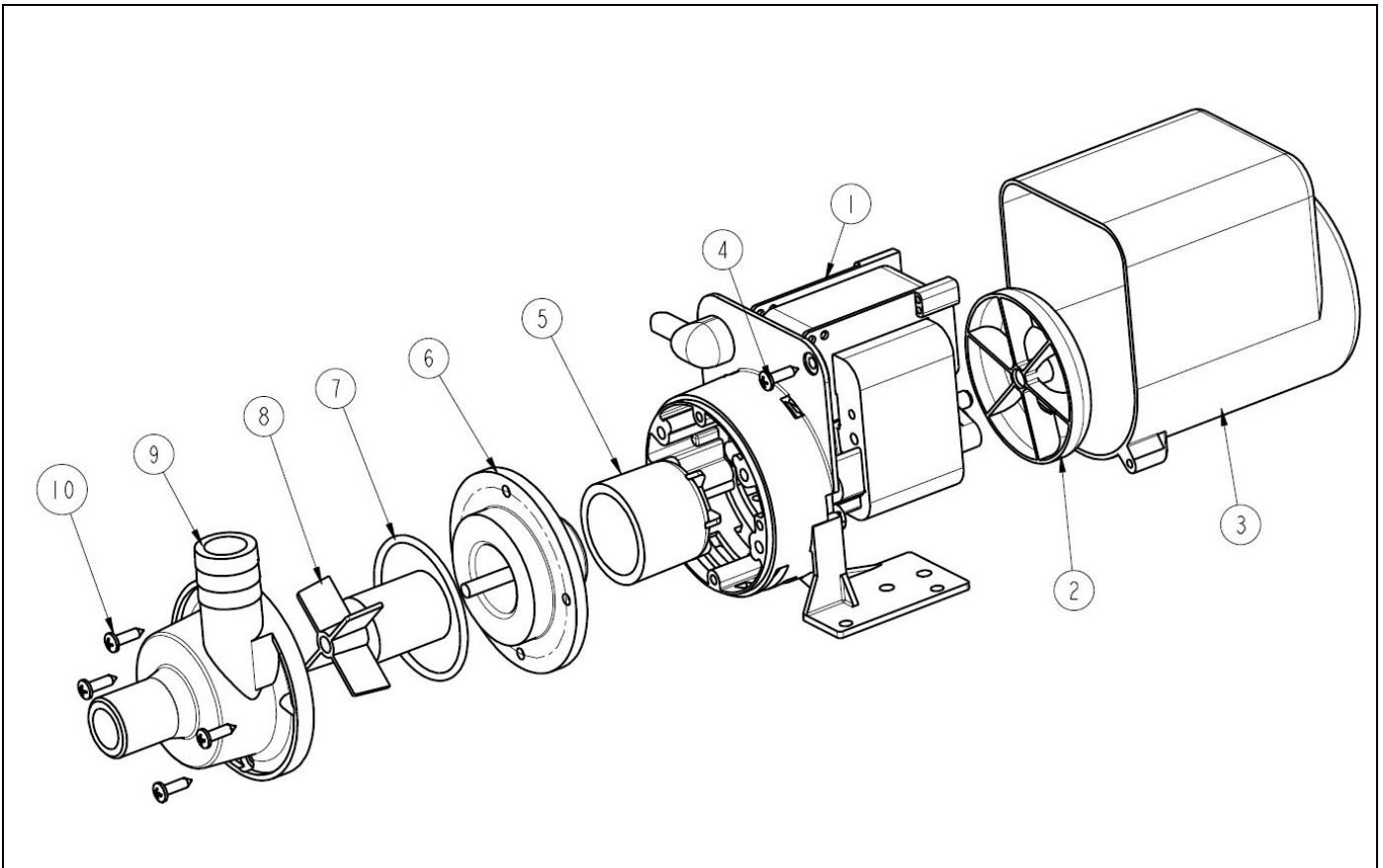
**Performance**

Performance Tested with clean cold water @ 20° c



Note: These magnetically coupled pumps are designed for use with clean fluids. Solids will cause jamming. Abrasives will reduce pump life and invalidate warranty. NDP pumps are not self priming and are not designed to run dry. The company reserves the right change specifications.

## Part List



Item Number	Description	Quantity	Part Number		
1	Motor	1	-		
2	Fan	1	033322		
3	Motor Cover	1	013313		
4	Screw	1	001739		
5	Drive Magnet	1	023267		
6	Spindle Housing	1	003271		
7	O-ring	1	013291 (EPDM)	003265 (Viton)	003224 (Nitrile)
8	Impeller	1	013341		
9	Pump Body	1	013333 (plain)	013334 (PP threaded)	033225 (PPS threaded)
10	Screw	6	001095		

### Totton Pumps Ltd.

Tel: +44 (0) 23 8066 6685

Fax: +44 (0) 23 8066 6880

Email: [info@totton-pumps.com](mailto:info@totton-pumps.com)

Web: [www.totton-pumps.co.uk](http://www.totton-pumps.co.uk)