

## SFP polyamide rta flexible conduits

### conduits



637 05

637 34



638 93

### Technical characteristics (p. 310)

Protect electrical cables in an environment requiring excellent flexibility  
Very good resistance to impacts, chemical agents, and to high and low temperatures  
Conform to standard EN 61386-1  
IP 66, IP 68 with weatherproof seal  
Halogen-free polyamide

Pack	Cat.Nos	Standard																																					
		Black spiral PA 6.6 conduit Suitable for the majority of applications for constructing machines and installations Conform to standard NF R 13-903 Supplied by packs of 25 or 50 metres (see packing)																																					
		<table border="1"> <thead> <tr> <th colspan="2">Ø (mm)</th> </tr> <tr> <th>internal</th> <th>external</th> </tr> </thead> <tbody> <tr> <td>50</td> <td>637 01</td> <td>7</td> <td>10</td> </tr> <tr> <td>50</td> <td>637 02</td> <td>8</td> <td>12</td> </tr> <tr> <td>50</td> <td>637 03</td> <td>12</td> <td>16</td> </tr> <tr> <td>50</td> <td>637 04</td> <td>15</td> <td>20</td> </tr> <tr> <td>50</td> <td>637 05</td> <td>19</td> <td>25</td> </tr> <tr> <td>25</td> <td>637 06</td> <td>25</td> <td>32</td> </tr> <tr> <td>25</td> <td>637 07</td> <td>33</td> <td>40</td> </tr> <tr> <td>25</td> <td>637 08</td> <td>42</td> <td>50</td> </tr> </tbody> </table>		Ø (mm)		internal	external	50	637 01	7	10	50	637 02	8	12	50	637 03	12	16	50	637 04	15	20	50	637 05	19	25	25	637 06	25	32	25	637 07	33	40	25	637 08	42	50
Ø (mm)																																							
internal	external																																						
50	637 01	7	10																																				
50	637 02	8	12																																				
50	637 03	12	16																																				
50	637 04	15	20																																				
50	637 05	19	25																																				
25	637 06	25	32																																				
25	637 07	33	40																																				
25	637 08	42	50																																				

Pack	Cat.Nos	TR																																	
		Spiral PA 6.6 conduit covered with a metal braid Suitable for harsh conditions with risk of splashing (chips, solder splashes, etc) Supplied by packs of 25 or 50 metres (see packing)																																	
		<table border="1"> <thead> <tr> <th colspan="2">Ø (mm)</th> </tr> <tr> <th>internal</th> <th>external<sup>(1)</sup></th> </tr> </thead> <tbody> <tr> <td>50</td> <td>637 32</td> <td>8</td> <td>12 / 14.5</td> </tr> <tr> <td>50</td> <td>637 33</td> <td>12</td> <td>16 / 18.5</td> </tr> <tr> <td>50</td> <td>637 34</td> <td>15</td> <td>20 / 22.5</td> </tr> <tr> <td>50</td> <td>637 35</td> <td>19</td> <td>25 / 27.5</td> </tr> <tr> <td>25</td> <td>637 36</td> <td>25</td> <td>32 / 34.5</td> </tr> <tr> <td>25</td> <td>637 37</td> <td>33</td> <td>40 / 44.5</td> </tr> <tr> <td>25</td> <td>637 38</td> <td>42</td> <td>50 / 52.5</td> </tr> </tbody> </table>		Ø (mm)		internal	external <sup>(1)</sup>	50	637 32	8	12 / 14.5	50	637 33	12	16 / 18.5	50	637 34	15	20 / 22.5	50	637 35	19	25 / 27.5	25	637 36	25	32 / 34.5	25	637 37	33	40 / 44.5	25	637 38	42	50 / 52.5
Ø (mm)																																			
internal	external <sup>(1)</sup>																																		
50	637 32	8	12 / 14.5																																
50	637 33	12	16 / 18.5																																
50	637 34	15	20 / 22.5																																
50	637 35	19	25 / 27.5																																
25	637 36	25	32 / 34.5																																
25	637 37	33	40 / 44.5																																
25	637 38	42	50 / 52.5																																

Pack	Cat.Nos	TR protection rings
		Fitted on the ends of the metal braid on the SFP TR conduit
		External Ø (mm) conduit with braid
25	638 92	14.5
25	638 93	18.5
25	638 94	22.5
10	638 95	27.5
10	638 96	34.5
10	638 97	44.5
5	638 98	52.5

(1) Only polyamid conduit/conduit with braid

## SFP polyamide rta flexible conduits

### connectors and junctions, accessories



637 55

637 85

638 09

638 10

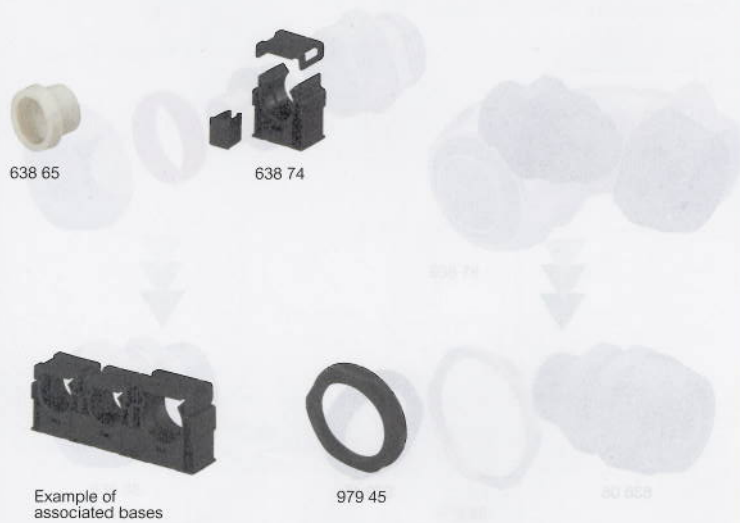
Pack	Cat.Nos		Connectors and junctions	
			Provide excellent tensile strength in static and dynamic applications No tools needed when used with SFP standard, robotic and TR polyamide conduits Conduit inserted directly, clamped by simply pulling the ring, locked with a 1/4 turn with closing indication IP 66, IP 68 with weatherproof seal Supplied in a sachet Black halogen-free PA 6.6	
			<b>Straight and right-angled male connectors</b>	
			External Ø (mm) polyamide conduit	Thread
			10	ISO 12
			12	ISO 16
			16	ISO 16
			16	ISO 20
			20	ISO 20
			20	ISO 25
			25	ISO 25
			32	ISO 32
			40	ISO 40
			50	ISO 50
			<b>Right-angled base connectors</b>	
			Supplied with joint surface	
			External Ø (mm) polyamide conduit:	
			40	
			50	
			<b>Y junctions</b>	
			External Ø (mm) polyamide conduit:	
			12 / 10 - 10	
			16 / 12 - 12	
			20 / 12 - 12	
			20 / 16 - 16	
			25 / 20 - 20	

## SFP polyamide rta flexible conduits

connectors and junctions, accessories

## SFP polyamide rta flexible conduits PVC

mounting principle



### Accessories

#### IP 68 weatherproof seals

Fitted at the ends of the conduit to obtain IP 68 with the connectors and junctions  
Supplied in a sachet

External Ø (mm) polyamide conduit:

Pack	Cat.Nos	
50	638 61	10
50	638 62	12
50	638 63	16
50	638 64	20
10	638 65	25
10	638 66	32
10	638 67	40
10	638 68	50

#### Snap-fixing bases

Accessory for holding SFP standard and robotic polyamide conduits  
Fixed with screws (not supplied)  
Conduit simply clipped in place and closed with a cover  
Bases can be used with clips supplied  
Supplied in a sachet  
Black PA 6.6

External Ø (mm) conduit (arrival/departure):

25	638 71	10
25	638 72	12
25	638 73	16
10	638 74	20
10	638 75	25
10	638 76	32
5	638 77	40
5	638 78	50

#### Nuts

Hexagonal with conduit support in order to protect the casing surface when tightening  
Black reinforced fibreglass PA 6

50	979 40	ISO 12
50	979 41	ISO 16
50	979 43	ISO 20
50	979 45	ISO 25
25	979 46	ISO 32
25	979 47	ISO 40
25	979 48	ISO 50

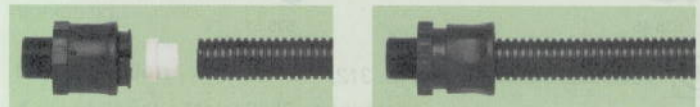
### Mounting principle

#### Assembling the SFP polyamide rta connector



1. Insert the conduit
2. Clamp the connector by pulling on the ring
3. Lock with a 1/4 turn

#### Assembling the weatherproof seal



1. Position the seal on the conduit
2. Fit the connector

#### Assembling the TR protection ring



1. Composition of the assembly
2. Place the protection ring in position



3. Fit the connector

## PVC and metalloplastic rta flexible conduits



**Technical characteristics (p. 312)**

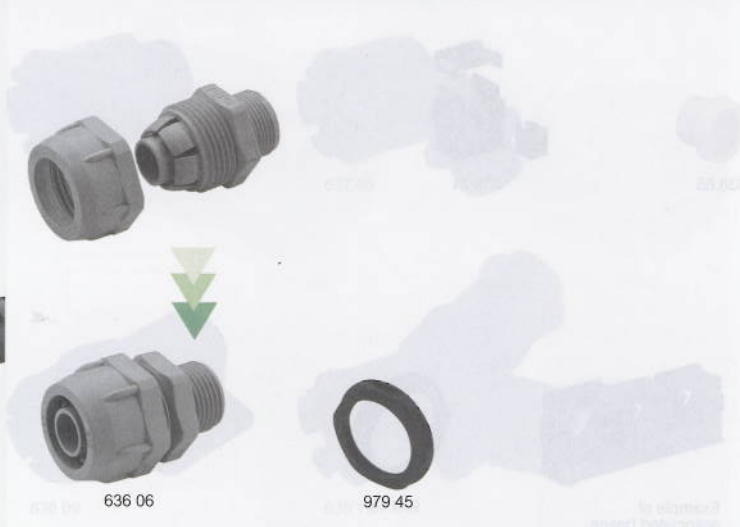
Protect electrical cables in a harsh environment requiring good resistance to oils and dilute acids  
 Excellent flexibility  
 FP 2000 PVC and metalloplastic conduits conforming to standard EN 61386-1  
 P2 metalloplastic conduits conforming to standard UL 224

Pack	Cat.Nos	PVC																					
		<b>FP 2000</b>																					
		Conduit in grey PVC with reinforcement Smooth interior allows cables to slide through easily Ensures excellent mechanical resistance IP 44 with Universale connectors IP 66 with Metal 2000 connectors Supplied by packs of 25 or 50 metres (see packing)																					
		<table border="1"> <thead> <tr> <th colspan="2">ø (mm)</th> </tr> <tr> <th>internal</th> <th>external</th> </tr> </thead> <tbody> <tr><td>10</td><td>15.5</td></tr> <tr><td>12.5</td><td>17.5</td></tr> <tr><td>16</td><td>21</td></tr> <tr><td>21</td><td>26</td></tr> <tr><td>27</td><td>33.5</td></tr> <tr><td>35.5</td><td>42.5</td></tr> <tr><td>40.5</td><td>48.5</td></tr> <tr><td>52</td><td>60.5</td></tr> </tbody> </table>		ø (mm)		internal	external	10	15.5	12.5	17.5	16	21	21	26	27	33.5	35.5	42.5	40.5	48.5	52	60.5
ø (mm)																							
internal	external																						
10	15.5																						
12.5	17.5																						
16	21																						
21	26																						
27	33.5																						
35.5	42.5																						
40.5	48.5																						
52	60.5																						
50	635 21	10	15.5																				
50	635 22	12.5	17.5																				
50	635 23	16	21																				
50	635 24	21	26																				
25	635 25	27	33.5																				
25	635 26	35.5	42.5																				
25	635 27	40.5	48.5																				
25	635 29	52	60.5																				

Pack	Cat.Nos	Metalloplastic																					
		Excellent mechanical resistance Electrical continuity guaranteed with Metal 2000 connectors IP 65 with Metal 2000 connectors																					
		<b>FA</b>																					
		Single seam connection steel conduit, coated with aspirated grey PVC Supplied by packs of 25 or 50 metres (see packing)																					
		<table border="1"> <thead> <tr> <th colspan="2">ø (mm)</th> </tr> <tr> <th>internal</th> <th>external</th> </tr> </thead> <tbody> <tr><td>10</td><td>14</td></tr> <tr><td>12</td><td>15.5</td></tr> <tr><td>15.5</td><td>19.5</td></tr> <tr><td>20.5</td><td>24.5</td></tr> <tr><td>26.5</td><td>31.5</td></tr> <tr><td>34.5</td><td>40</td></tr> <tr><td>39.5</td><td>45</td></tr> <tr><td>50.5</td><td>56</td></tr> </tbody> </table>		ø (mm)		internal	external	10	14	12	15.5	15.5	19.5	20.5	24.5	26.5	31.5	34.5	40	39.5	45	50.5	56
ø (mm)																							
internal	external																						
10	14																						
12	15.5																						
15.5	19.5																						
20.5	24.5																						
26.5	31.5																						
34.5	40																						
39.5	45																						
50.5	56																						
50	635 41	10	14																				
50	635 42	12	15.5																				
50	635 43	15.5	19.5																				
50	635 44	20.5	24.5																				
25	635 45	26.5	31.5																				
25	635 46	34.5	40																				
25	635 47	39.5	45																				
25	635 49	50.5	56																				

Pack	Cat.Nos	PN																					
		Single seam connection steel conduit, coated with smooth grey PVC Excellent resistance to wear and abrasion Supplied by packs of 25 or 50 metres (see packing)																					
		<table border="1"> <thead> <tr> <th colspan="2">ø (mm)</th> </tr> <tr> <th>internal</th> <th>external</th> </tr> </thead> <tbody> <tr><td>10</td><td>15.5</td></tr> <tr><td>12</td><td>18</td></tr> <tr><td>15.5</td><td>21.5</td></tr> <tr><td>20.5</td><td>27</td></tr> <tr><td>26.5</td><td>34</td></tr> <tr><td>34.5</td><td>42.5</td></tr> <tr><td>39.5</td><td>48.5</td></tr> <tr><td>50.5</td><td>61</td></tr> </tbody> </table>		ø (mm)		internal	external	10	15.5	12	18	15.5	21.5	20.5	27	26.5	34	34.5	42.5	39.5	48.5	50.5	61
ø (mm)																							
internal	external																						
10	15.5																						
12	18																						
15.5	21.5																						
20.5	27																						
26.5	34																						
34.5	42.5																						
39.5	48.5																						
50.5	61																						
50	635 51	10	15.5																				
50	635 52	12	18																				
50	635 53	15.5	21.5																				
50	635 54	20.5	27																				
25	635 55	26.5	34																				
25	635 56	34.5	42.5																				
25	635 57	39.5	48.5																				
25	635 59	50.5	61																				

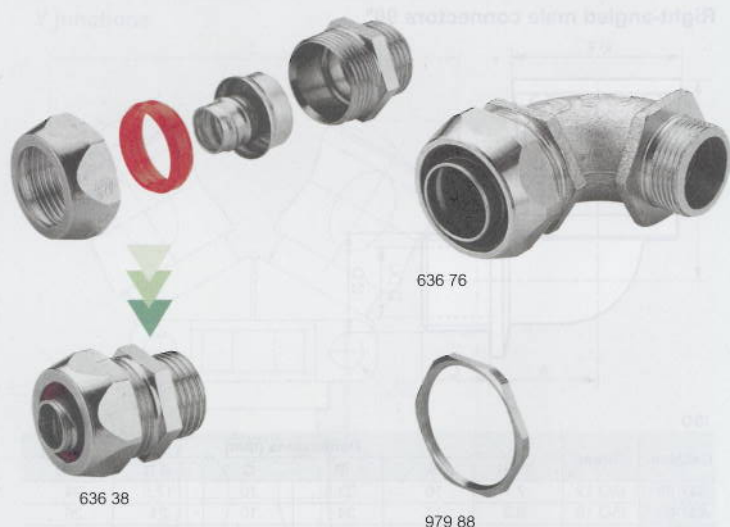
## connectors for PVC and metalloplastic rta flexible conduits



Pack	Cat.Nos	Connectors for PVC conduits																																																							
		<b>Universal straight male connectors</b>																																																							
		IP 44 with FP 2000 conduit Supplied in a sachet Grey reinforced fibreglass PA 6																																																							
		<table border="1"> <thead> <tr> <th rowspan="2">ø conduit (mm)</th> <th colspan="2">Thread</th> </tr> <tr> <th>min. internal</th> <th>max. external</th> </tr> </thead> <tbody> <tr><td>10</td><td>16</td><td>ISO 16</td></tr> <tr><td>12</td><td>18</td><td>ISO 16</td></tr> <tr><td>12</td><td>18</td><td>ISO 20</td></tr> <tr><td>15</td><td>21.5</td><td>ISO 20</td></tr> <tr><td>20</td><td>26.5</td><td>ISO 25</td></tr> <tr><td>27</td><td>33.5</td><td>ISO 32</td></tr> <tr><td>34.5</td><td>42.5</td><td>ISO 40</td></tr> <tr><td>39</td><td>50</td><td>ISO 40</td></tr> <tr><td>50</td><td>61</td><td>ISO 50</td></tr> <tr><td>10</td><td>16</td><td>PG 9</td></tr> <tr><td>12</td><td>18</td><td>PG 11</td></tr> <tr><td>12</td><td>18</td><td>PG 13.5</td></tr> <tr><td>15</td><td>21.5</td><td>PG 13.5</td></tr> <tr><td>15</td><td>21.5</td><td>PG 16</td></tr> <tr><td>20</td><td>26.5</td><td>PG 21</td></tr> <tr><td>27</td><td>33.5</td><td>PG 29</td></tr> </tbody> </table>			ø conduit (mm)	Thread		min. internal	max. external	10	16	ISO 16	12	18	ISO 16	12	18	ISO 20	15	21.5	ISO 20	20	26.5	ISO 25	27	33.5	ISO 32	34.5	42.5	ISO 40	39	50	ISO 40	50	61	ISO 50	10	16	PG 9	12	18	PG 11	12	18	PG 13.5	15	21.5	PG 13.5	15	21.5	PG 16	20	26.5	PG 21	27	33.5	PG 29
ø conduit (mm)	Thread																																																								
	min. internal	max. external																																																							
10	16	ISO 16																																																							
12	18	ISO 16																																																							
12	18	ISO 20																																																							
15	21.5	ISO 20																																																							
20	26.5	ISO 25																																																							
27	33.5	ISO 32																																																							
34.5	42.5	ISO 40																																																							
39	50	ISO 40																																																							
50	61	ISO 50																																																							
10	16	PG 9																																																							
12	18	PG 11																																																							
12	18	PG 13.5																																																							
15	21.5	PG 13.5																																																							
15	21.5	PG 16																																																							
20	26.5	PG 21																																																							
27	33.5	PG 29																																																							
25	636 01	10	16	ISO 16																																																					
25	636 02	12	18	ISO 16																																																					
25	636 03	12	18	ISO 20																																																					
10	636 04	15	21.5	ISO 20																																																					
10	636 05	20	26.5	ISO 25																																																					
5	636 06	27	33.5	ISO 32																																																					
1	636 09	34.5	42.5	ISO 40																																																					
1	636 10	39	50	ISO 40																																																					
1	636 12	50	61	ISO 50																																																					
25	636 21	10	16	PG 9																																																					
25	636 22	12	18	PG 11																																																					
25	636 23	12	18	PG 13.5																																																					
10	636 24	15	21.5	PG 13.5																																																					
10	636 25	15	21.5	PG 16																																																					
10	636 26	20	26.5	PG 21																																																					
5	636 27	27	33.5	PG 29																																																					
		<b>Nuts for universal connectors</b>																																																							
		Hexagonal with conduit support in order to protect the casing surface when tightening Black reinforced fibreglass PA 6																																																							
50	979 41	ISO 16																																																							
50	979 43	ISO 20																																																							
50	979 45	ISO 25																																																							
25	979 46	ISO 32																																																							
25	979 47	ISO 40																																																							
25	979 48	ISO 50																																																							
50	979 51	PG 9																																																							
50	979 52	PG 11																																																							
50	979 53	PG 13.5																																																							
50	979 54	PG 16																																																							
50	979 55	PG 21																																																							
25	979 56	PG 29																																																							

## Spido connectors for PN metalloplastic rta flexible conduits (p. 305)

## connectors for PVC and metalloplastic rta flexible conduits (continued)



### Connectors for FP 2000 PVC and metalloplastic conduits

**Metal 2000 male connectors**  
Sealing ring providing the IP between the connector and the conduit  
IP 66 with PVC FP 2000 conduit  
IP 65 with metalloplastic conduits  
Tinned steel ferrule screwed inside the metal conduit to ensure electrical continuity and protection of cables  
Supplied in a sachet. Nickel-plated brass

Pack	Cat.Nos		Internal Ø (mm) conduit	Thread
	Straight	Right-angled		
1	636 31	636 71	10	ISO 16
1	636 32	636 72	12	ISO 16
1	636 33	636 73	12	ISO 20
1	636 35	636 74	15.5	ISO 20
1	636 37	636 75	20.5	ISO 25
1	636 38		26.5	ISO 25
1	636 39	636 76	26.5	ISO 32
1	636 40	636 77	34.5	ISO 40
1	636 41	636 78	39.5	ISO 50
1	636 42	636 79	50.5	ISO 63
1	636 52	636 82	10	PG 9
1	636 53	636 83	10	PG 11
1	636 55	636 84	12	PG 11
1	636 58	636 86	15.5	PG 13.5
1	636 59	636 87	15.5	PG 16
1	636 60	636 88	20.5	PG 21
1	636 61	636 89	26.5	PG 29
1	636 62	636 90	34.5	PG 36
1	636 63	636 91	39.5	PG 42
1	636 64	636 92	50.5	PG 48

### Nuts for metal connectors

Nickel-plated brass

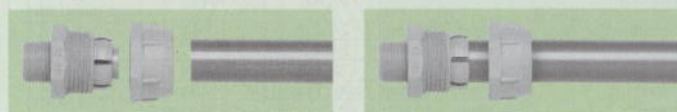
50	979 81	ISO 16
50	979 83	ISO 20
50	979 85	ISO 25
50	979 86	ISO 32
25	979 87	ISO 40
10	979 88	ISO 50
10	979 89	ISO 63
50	979 91	PG 9
50	979 92	PG 11
50	979 93	PG 13.5
50	979 94	PG 16
50	979 95	PG 21
25	979 96	PG 29
25	979 97	PG 36
10	979 98	PG 42
10	979 99	PG 48

## PVC and metalloplastic rta flexible conduits

### mounting principle

#### ■ Mounting principle

##### Assembling the Universale connector



1. Composition of the assembly

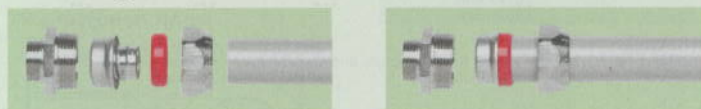
2. Clamp ring run along and conduit inserted



3. Assembled elements after tightening

#### ■ Installation

##### Assembling the Metal 2000 connector



1. Composition of the assembly

2. Clamp and sealing rings run along then ferrule screwed inside the metal conduit



3. Assembled elements after tightening

#### ■ Installation

##### Assembling the Spido connector



1. Insert the conduit in the connector



2. Assembled elements after tightening