



SIMBOX XL flush-mounting, 3-tier 3x 12 MW (14 MW) Safety class 2

Model		
product brand name	ALPHA	
product designation	SIMBOX XL	
design of the product	Flush mounting	
design of the terminal strip	Plug-in terminal	
design of support rail	Standard mounting rail 35 mm x 7.5 mm acc. to EN 60715	
design of the cap/top cover	closed	
design of the product EMC version	No	
General technical data		
equipment of terminal strip	1x8GB5017-5KM, 1x8GB5021-5KM	
Supply voltage		
operating voltage at AC rated value	400 V	
Protection class		
protection class IP	IP30	
operating resource protection class	II (total insulation)	
Appearance		
RAL color number	RAL9010	
color	white	
Product details		
product component		
• DIN mounting bar	Yes	
• mounting plate	No	
• transparent cover	No	
product extension optional side-by-side mounting	No	
Number		
number of rows	3	
Mechanical Design		
height	650 mm	
width	365 mm	
depth	88 mm	
installation depth	70 mm	
number of modular width units	36	
fastening method	flush mounted	
rotation angle of door	125°	
busbar center-to-center spacing	125 mm	
net weight	4 103 g	
material of the enclosure	plastic	
Approvals Certificates		
General Product Approval	Declaration of Con- formity	other

[Confirmation](#)



[Confirmation](#)

other

[Miscellaneous](#)

Further information

Siemens has decided to exit the Russian market (see here).

<https://press.siemens.com/global/en/pressrelease/siemens-wind-down-russian-business>

Siemens is working on the renewal of the current EAC certificates.

Please contact your local Siemens office on the status of validity of the EAC certification if you intend to import or offer to supply these products to an EAC relevant market (other than the sanctioned EAEU member states Russia or Belarus).

Information on the packaging

<https://support.industry.siemens.com/cs/ww/en/view/109813875>

Information- and Downloadcenter (Catalogs, Brochures,...)

<http://www.siemens.com/lowvoltage/catalogs>

Industry Mall (Online ordering system)

<https://mall.industry.siemens.com/mall/en/en/Catalog/product?mlfb=8GB5036-1KM>

Service&Support (Manuals, Certificates, Characteristics, FAQs,...)

<https://support.industry.siemens.com/cs/ww/en/ps/8GB5036-1KM>

Image database (product images, 2D dimension drawings, 3D models, device circuit diagrams, ...)

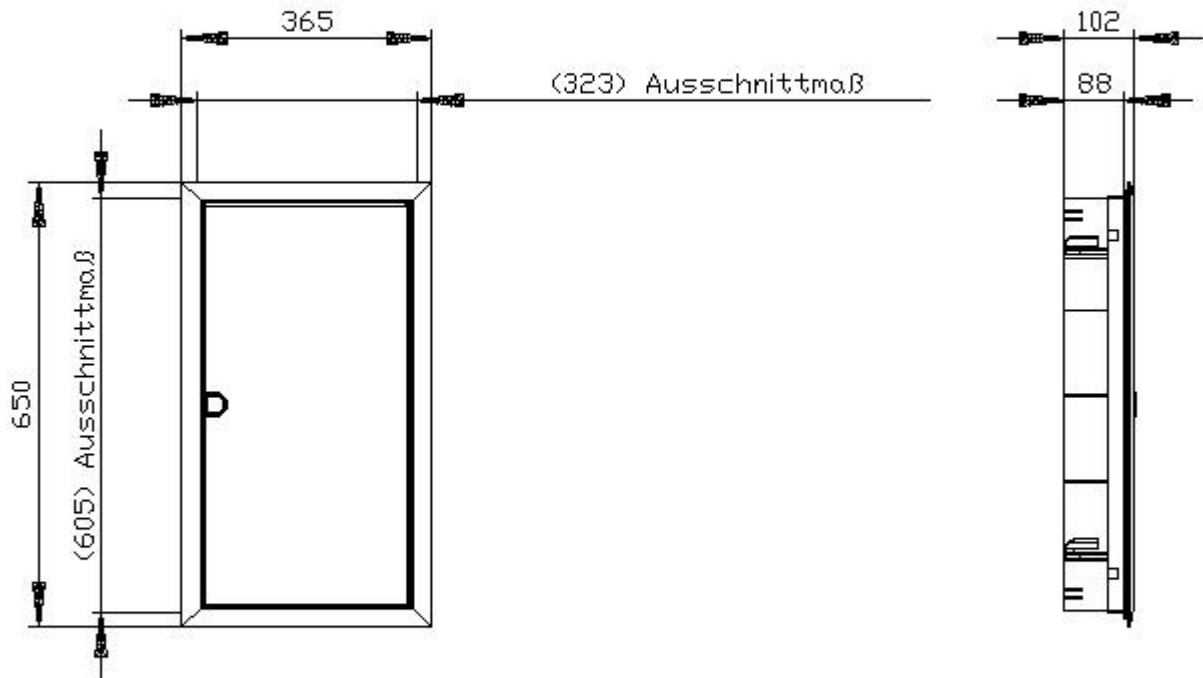
http://www.automation.siemens.com/bilddb/cax_en.aspx?mlfb=8GB5036-1KM

CAX-Online-Generator

<http://www.siemens.com/cax>

Tender specifications

<http://www.siemens.com/specifications>



last modified:

11/30/2022 

