

Connector - SACC-M12MRB-5SC SH - 1513583

Please be informed that the data shown in this PDF Document is generated from our Online Catalog. Please find the complete data in the user's documentation. Our General Terms of Use for Downloads are valid (<http://phoenixcontact.com/download>)

Connector, 5-position, shielded, Plug angled M12, B-coded, Spring-cage connection, Knurl material: Nickel-plated brass, External cable diameter 4 mm ... 8 mm



Why buy this product

- Safe use in the field, thanks to a high degree of protection
- Flexible: connectors for on-site assembly
- Spring-cage connection: connect more securely, even in the case of shock and vibration, thanks to high contact forces
- Reliable signal transmission - 360° shielding in environments with electromagnetic interference



Key commercial data

| | |
|--------------------------------------|---|
| Packing unit | 1 pc |
| GTIN |  4 017918 946678 |
| Weight per Piece (excluding packing) | 43.3 g |
| Custom tariff number | 85366990 |
| Country of origin | Germany |
| Note | Made to Order (non-returnable) |

Technical data

Dimensions

| | |
|---|---------------|
| External diameter | 4 mm ... 8 mm |
| Stripping length of the sheath | 35 mm |
| Stripping length of the individual wire | 10 mm |

Ambient conditions

| | |
|---------------------------------|----------------------------------|
| Ambient temperature (operation) | -40 °C ... 85 °C (Plug / socket) |
| Degree of protection | IP67 |

General

| | |
|-----------------------|---------|
| Rated current at 40°C | 4 A |
| Rated voltage | 60 V DC |
| | 48 V AC |

Connector - SACC-M12MRB-5SC SH - 1513583

Technical data

General

| | |
|-----------------------------|---|
| Number of positions | 5 |
| Contact resistance | ≤ 8 mΩ |
| Insulation resistance | ≥ 100 MΩ |
| Coding | B-coded |
| Standards/regulations | M12 connector IEC 61076-2-101 |
| Status display | No |
| Surge voltage category | II |
| Pollution degree | 3 |
| Connection method | Spring-cage connection |
| Conductor cross section | 0.14 mm ² ... 0.5 mm ² |
| AWG conductor cross section | 26 ... 20 |
| Insertion/withdrawal cycles | ≥ 100 |
| Torque | 0.4 Nm (M12 knurl) 0.8 Nm (Connector with coupling sleeve) 3 Nm (Pressure nut) |
| Assembly instructions | The connector pin assignment can be rotated 45° to the cable outlet The wires can be connected both with ferrules and without ferrules |

Material

| | |
|---|------------------------------|
| Inflammability class according to UL 94 | V0 |
| Contact material | CuSn |
| Contact surface material | Ni/Au |
| Contact carrier material | PA 66 |
| Material of grip body | Zinc die-cast, nickel-plated |
| Material, knurls | Nickel-plated brass |
| Sealing material | NBR |

Classifications

eCl@ss

| | |
|------------|----------|
| eCl@ss 4.0 | 27140815 |
| eCl@ss 4.1 | 27140815 |
| eCl@ss 5.0 | 27143423 |
| eCl@ss 5.1 | 27143423 |
| eCl@ss 6.0 | 27143423 |
| eCl@ss 7.0 | 27449001 |
| eCl@ss 8.0 | 27440104 |

ETIM

| | |
|----------|----------|
| ETIM 2.0 | EC001121 |
| ETIM 3.0 | EC002062 |

Connector - SACC-M12MRB-5SC SH - 1513583

Classifications

ETIM

| | |
|----------|----------|
| ETIM 4.0 | EC002062 |
| ETIM 5.0 | EC002062 |

UNSPSC

| | |
|---------------|----------|
| UNSPSC 6.01 | 31251501 |
| UNSPSC 7.0901 | 31251501 |
| UNSPSC 11 | 31251501 |
| UNSPSC 12.01 | 31251501 |
| UNSPSC 13.2 | 31251501 |

Approvals

Approvals

Approvals

UL Recognized / cUL Recognized / cULus Recognized

Ex Approvals

Approvals submitted


Approval details

| | |
|--------------------|-------|
| UL Recognized | |
| | |
| Nominal current IN | 4 A |
| Nominal voltage UN | 125 V |

| | |
|--------------------|-------|
| cUL Recognized | |
| | |
| Nominal current IN | 4 A |
| Nominal voltage UN | 125 V |

Connector - SACC-M12MRB-5SC SH - 1513583

Approvals

cULus Recognized 

Accessories

Accessories

Screwdriver tools

Tool - SACC BIT M12-D20 - 1208445



Nut for assembling SACC M12 connectors for free assembly, excluding M12 connectors with QUICKON fast connection technology, for 4 mm hexagonal drive

Adapter insert - TSD-M SAC-BIT ADAPTER - 1212600



Adapter bit for TSD-M...torque tools, E6.3-1/4" drive with 4 mm hexagon to accommodate SAC bits

Shield connection

Shielding foil - ALU-SB - 1404531

Shielding foil, for fixing the braided shield of shielded cables. Length: 4 cm, width: 1.2 cm



Torque tool

Torque screwdriver - TSD 04 SAC - 1208429



Torque screwdriver, with preset torque of 0.4 Nm and 4 mm hexagonal drive for M12 connectors

Connector - SACC-M12MRB-5SC SH - 1513583

Accessories

Torque screwdriver - TSD 08 SAC - 1212597



Torque screw driver with preset torque of 0.8 Nm, with 4 mm hexagon for accommodating SAC bits, two-component handle with non-slip grip

Torque screwdriver - TSD-M 1,2NM - 1212224



Torque screw driver, accuracy as per EN ISO 6789 standard, adjustable from 0.3 - 1.2 Nm

Torque screwdriver - TSD-M 3NM - 1212225



Torque screw driver, accuracy as per EN ISO 6789 standard, adjustable from 1.2 - 3 Nm

Tool - VS-CABLE-STRIP-VARIO - 1657407



Stripping tool, for the multi-level stripping of shielded cables

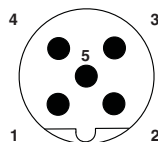
Drawings

Functional drawing

Slide the pressure nut

and assignment M12 male connector, 5-pos., B-coded, male side sleeve housing along the cable,

Schematic diagram



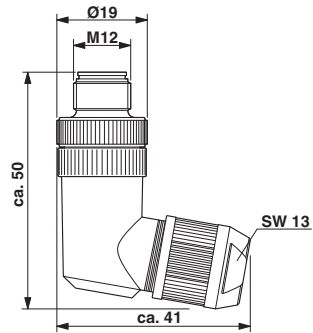
Connector - SACC-M12MRB-5SC SH - 1513583

strip
the
cable,
shorten
the
shield,
strip
the
single
wires,
connect
the
wires,
in
the
case
of
a
straight
sleeve
housing
gently
twist
the
wires
together,
stick
the
shielding
foil
around
the
shortened
shield,
in
the
case
of
a
cable
outside
diameter
<
6
mm
stick
an
additional
shielding
foil
around
the
wire
pack,
screw
the
sleeve
housing
to
the
plug
insert,
screw
the
pressure

Connector - SACC-M12MRB-5SC SH - 1513583

nut
tight.

Dimensioned drawing



M12 x 1 male plug, angled, shielded

Phoenix Contact 2015 © - all rights reserved
<http://www.phoenixcontact.com>