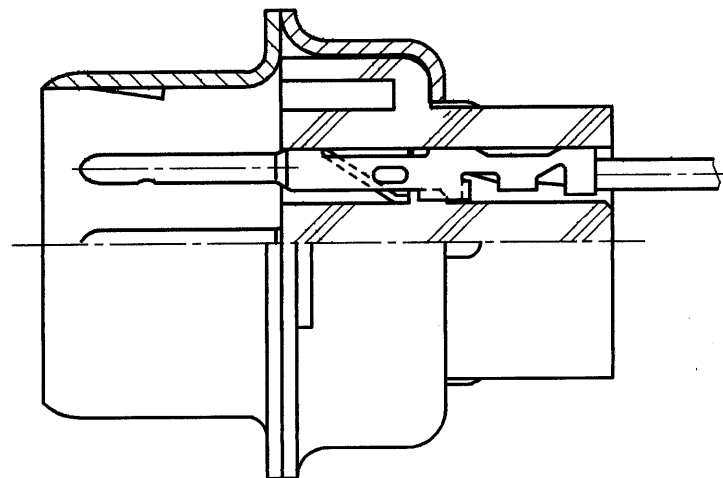
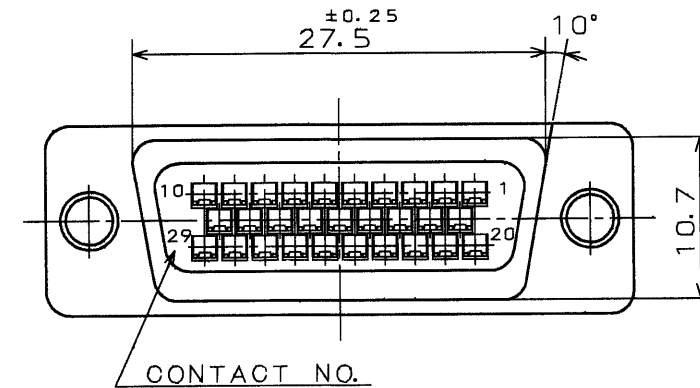
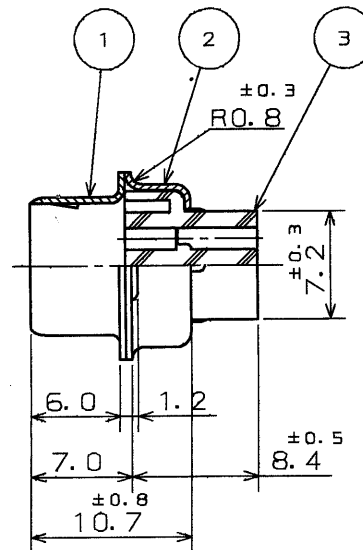
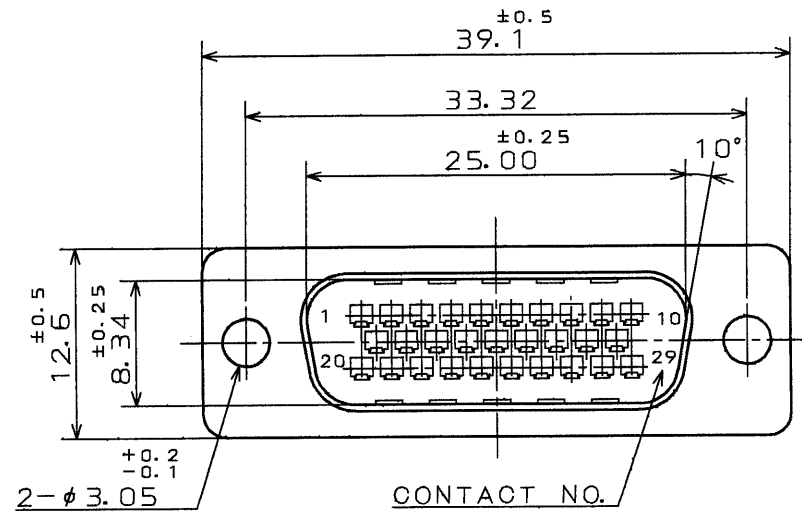


SJ024081-E

DWG. NO.

SYM	DGN NO.	DESCRIPTION	DATE	DRAWN	CHECKED	APP'D	APP'D



CONTACT INSERTED

- NOTE 1. MARKS "JAE" & PART NO. ARE SHOWN ON THIS PORTION.  
 "-FO" IS NOT MARKED ON CONNECTOR.  
 2. FOR CONTACT ARRANGEMENTS SEE DWG. SJ017233.  
 3. FOR PANEL COTOUT DIMENSIONS SEE DWG. SJ013596.  
 4. CONTACT TO BE ORDERED SEPARATELY.

ITEM	DESCRIPTION	Q'TY	MATERIAL	FINISH	REMARKS
3	INSULATOR	1	GLASS FILLED NYLON (COLOR:BLACK)	UL94 V-0	
2	REAR SHELL	1	STEEL	NICKEL PLATE	
1	FRONT SHELL	1	STEEL	NICKEL PLATE	

REFERENCE DOCUMENT	DATE	SCALE	JAE-CONNECTOR.COM
JACS-3050-2	30. OCT. '90	2:1	MUSASHINO, AKISHIMA-SHI TOKYO, JAPAN
MATERIAL	DRAWN	CHECKED	Reference Only
	H. KATO	Y. OTSUKA	
TREATMENT	APP'D	APP'D	
	Y. NISHINO	Y. NISHINO	
FINISH	SERIES	TITLE	
	D02	D02-29PF-N-FO	
DWG. NO.			SIZE
SJ024081-E			A3

DIMENSIONS ARE IN MILLIMETERS  
 TOLERANCES ON: (INCHES)

DIMENSION	TOLERANCE	ANGLES	CONCENTRICITY
. ±	± 0.4	X° ± 1°	WITHIN T.I.R.
.X ±	± 0.13	X°X' ±	
.XX ±			
.XXX ±			

D.C.F-115A



CDS-89-51043  
 SIZE A3