

eLINE and compact linear sets

eLINE linear sets, R1027 Closed, normal or stainless

Design

- eLINE linear bushing
- Lightweight precision housing (aluminum)
- Integrated wiper seals
- **Reduced radial clearance**
- Initial lubrication with Dynalub 510
- Also available in stainless steel under KBC-NR



Compact linear sets, R1027 Closed, normal or stainless

Design

- Compact linear bushing
- Lightweight precision housing (aluminum)
- Integrated wiper seals
- **Normal radial clearance**
- Initial lubrication with Dynalub 510
- Also available in stainless steel under KBC-NR

Compact linear sets, R1028 Adjustable, normal

Design

- Compact linear bushing
- Lightweight precision housing (aluminum)
- Integrated wiper seals
- **Set to zero clearance**
- Initial lubrication with Dynalub 510

Shaft Ø d (mm)	Material number with eLINE linear set Reduced radial clearance, prelubricated		Weight (kg)
	Normal LSAC- ... -DD-RT-G	Stainless LSAC- ... -DD-RT-NR-G	
12	R1027 251 44	R1027 251 34	0.08
16	R1027 252 44	R1027 252 34	0.11
20	R1027 253 44	R1027 253 34	0.15
25	R1027 254 44	R1027 254 34	0.27
30	R1027 255 44	R1027 255 34	0.40
40	R1027 256 44	R1027 256 34	0.75

Shaft Ø d (mm)	Material number with compact linear set Prelubricated		Weight (kg)
	Normal LSAC- ... -DD-G	Stainless LSAC- ... -DD-NR-G	
12	R1027 212 44	R1027 212 34	0.08
16	R1027 216 44	R1027 216 34	0.11
20	R1027 220 44	R1027 220 34	0.15
25	R1027 225 44	R1027 225 34	0.27
30	R1027 230 44	R1027 230 34	0.40
40	R1027 240 44	R1027 240 34	0.75
50	R1027 250 44	R1027 250 34	1.20



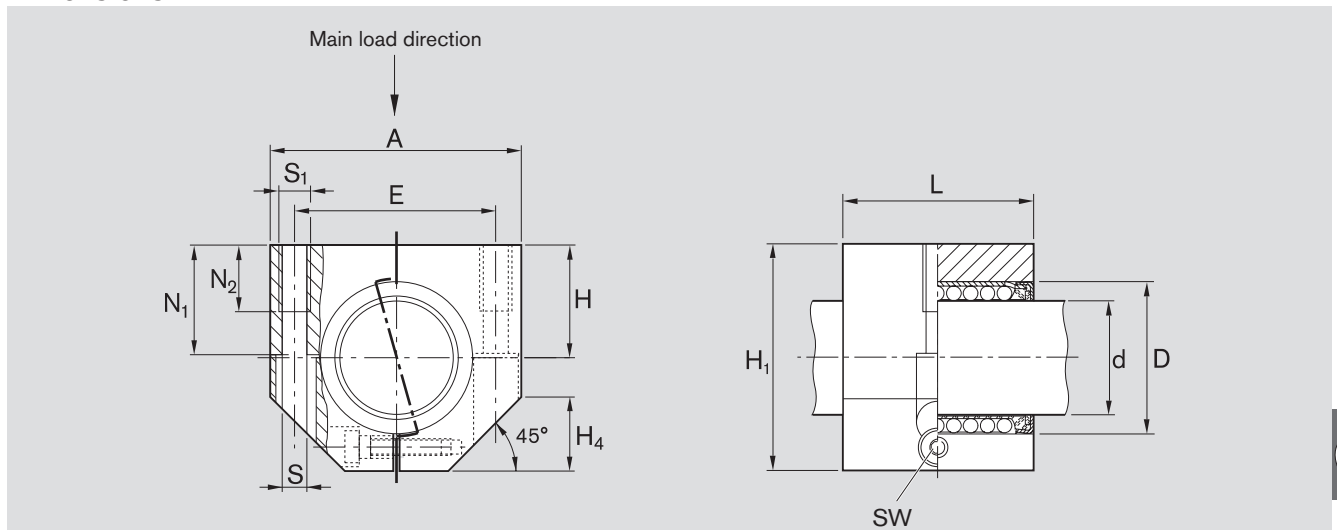
Shaft Ø d (mm)	Material number with compact linear set Normal, prelubricated		Weight (kg)
	LSACE- ... -DD-G		
12	R1028 212 44		0.08
16	R1028 216 44		0.11
20	R1028 220 44		0.15
25	R1028 225 44		0.27
30	R1028 230 44		0.40
40	R1028 240 44		0.75
50	R1028 250 44		1.20

Explanation of sample short product name

LS	A	C	12	DD	RT	NR	G
Linear set	Aluminum	Compact	Ø 12	With two seals	Reduced radial clearance	Stainless steel	Greased

See page 28 for more information on short product names.

Dimensions



Dimensions (mm)												
Ø d	D	H	H ₁	A	L	E ±0.15	S ¹⁾	S ₁	N ₁	N ₂	H ₄	SW
12	19	17	33	40	28	29	4.3	M5	16	11	11	2.5
16	24	19	38	45	30	34	4.3	M5	18	11	13	2.5
20	28	23	45	53	30	40	5.3	M6	22	13	15	3.0
25	35	27	54	62	40	48	6.6	M8	26	18	17	4.0
30	40	30	60	67	50	53	6.6	M8	29	18	19	4.0
40	52	39	76	87	60	69	8.4	M10	38	22	24	5.0
50	62	47	92	103	70	82	10.5	M12	46	26	30	6.0

Ø d (mm)	Radial clearance (µm)			Tolerance for H ²⁾ (µm)		Load ratings ³⁾ (N)			
	R1027 eLINE, compact h6	R1027 Compact h6	R1028	R1027	R1028	Normal		Stainless	
						dyn. C	stat. C ₀	dyn. C	stat. C ₀
12	+8	+32	Comes clamped to h5 shaft (lower limit) and set to zero clearance	+24	+12	810	490	570	390
	-24	0		0	-12				
16	+8	+32		+24	+12	1,050	570	730	460
	-24	0		0	-12				
20	+9	+33		+25	+13	1,410	900	990	720
	-25	-1		0	-12				
25	+12	+36		+25	+13	2,930	1,950	2,050	1,560
	-24	0		0	-12				
30	+12	+36	+25	+13	3,850	2,790	2,700	2,230	
	-24	0	0	-12					
40	+18	+42	+26	+14	6,380	4,650	4,470	3,720	
	-25	-1	0	-12					
50	+42	+42	+14	+14	7,180	5,350	5,030	4,280	
	-1	-1	-12	-12					

- 1) ISO 4762-8.8 fastening bolts.
- 2) In relation to Ø d.
- 3) The load ratings apply for the main load direction. If the load direction is not the main load direction, the load ratings must be multiplied by the following factors.

Ø d 12 and 16: f = 0.90, f₀ = 0.86

Ø d 20 to 50: f = 0.79, f₀ = 0.68

The dynamic load ratings are based on a total travel of 100,000 m.
When based on 50,000 m, the C values in the table are multiplied by 1.26.