



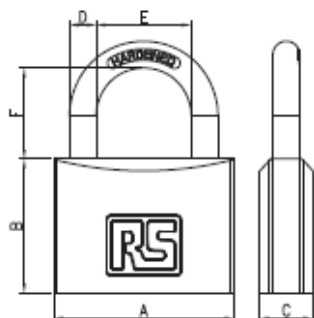
Datasheet

7816007 - Solid Brass Padlock 50 mm

ENGLISH



Dimensions:



Item	Lock Body Dimension(mm)		
	A	B	C
7816007	50	36	14

Shackle Dimension(mm)		
D	E	F
7	25	24

Product Description:

- Solid brass lock body and lock cylinder with great corrosion resistance
- High precision keys produced by professional equipment, little interchange
- Pin tumbler structure for great pick resistance test
- Different sizes of lock body and shackle for different choices