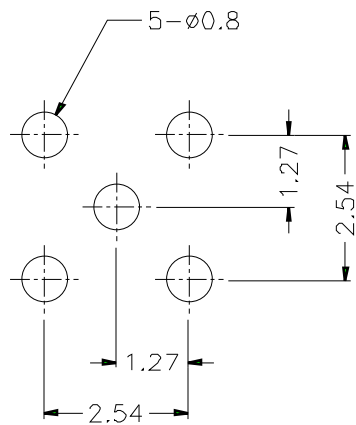
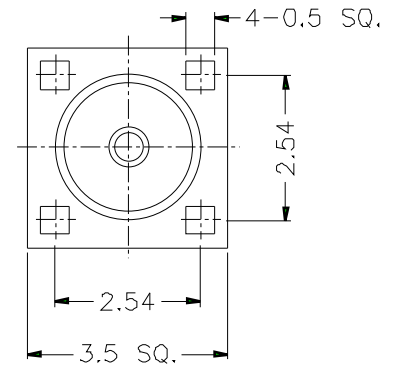
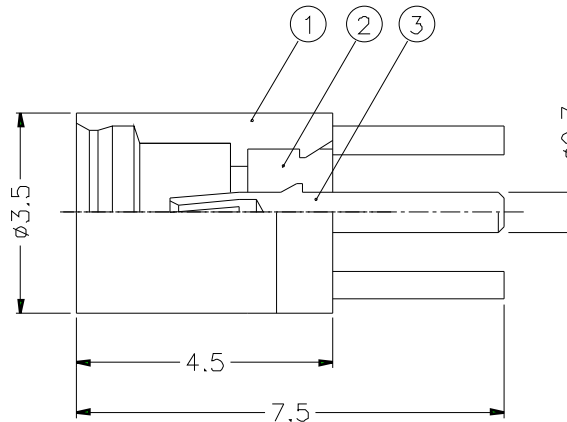


| REVISIONS | |
|-----------|-----------------------------------|
| ISS | ZONE DESCRIPTION\PER REQUEST\DATE |
| | |



PCB MOUNTING HOLES



NOTES, FINISH (PLATING THICKNESS IN MICRO-INCHES)

1. BRASS PER QQ-B-626
2. GOLD PL. 3 MIN. THICK OVER NICKEL PL. 100 MIN. THICK OVER COPPER STRIKE
3. BERYLLIUM COPPER PER QQ-C-530
4. GOLD PL. 30 MIN. THICK OVER NICKEL PL. 100 MIN. THICK OVER COPPER STRIKE
5. TEFLON MIL-P-19468

| | | | | |
|---------------------------------------|--|--|----------------------|---|
| DIMENSIONS ARE IN MILLIMETERS | | | PART NO. | <h1 style="text-align: center;">Amphenol</h1> |
| UNLESS OTHERWISE SPECIFIED TOLERANCES | | | MMCX6251N1-3GT30G-50 | |
| 0.5-6 = ±0.2 | | | APPROVED | |
| 6-30 = ±0.4 | | | DATE | |
| 30-120 = ±0.6 | | | 10-11-01' | |
| 120-315 = ±1 | | | CHECKED | |
| 315-1000 = ±1.6 | | | DATE | |
| 1000-2000 = ±2.4 | | | 10-11-01' | |
| DRAWN | | | DATE | |
| 10-11-01' | | | | |

| NO. | DESCRIPTION | MATERIAL | FINISH | Q'TY | DRAWING NO. |
|-----|-------------|----------|---------|------|------------------|
| 3 | CONTACT PIN | NOTE 3 | NOTE 4 | 1 | MMCX6251N1-3 |
| 2 | INSULATOR | NOTE 5 | NATURAL | 1 | MMCX6251N1-2T-50 |
| 1 | BODY | NOTE 1 | NOTE 2 | 1 | MMCX6251N1-1-B |

| | |
|-------------|---|
| TITLE | <h1 style="font-size: 2em;">Amphenol</h1> <p>MMCX P.C. MOUNT JACK</p> |
| DRAWING NO. | |
| ITEM NO. | |
| | |